

INL/EXT-14-33201

# RELAP-7 Software Verification and Validation Plan

Curtis L. Smith  
Yong-Joon Choi  
Ling Zou

September 25, 2014



## **NOTICE**

This report was prepared as an account of work sponsored by an agency of the United States Government. Neither the United States Government nor any agency thereof, nor any of their employees, makes any warranty, express or implied, or assumes any legal liability or responsibility for any third party's use, or the results of such use, of any information, apparatus, product, or process disclosed in this report, or represents that its use by such third party would not infringe privately owned rights.

# RELAP-7 Software Verification and Validation Plan

**Date: September 25, 2014**

Approved by

---

Date

---

---

INL Project Manager

Date

---

---

RELAP-7 Support Manager

Date

---

---

RELAP-7 SQA

Date

---

**RELAP-7**  
**Software Verification and Validation Plan**

**Curtis L. Smith**  
**Yong-Joon Choi**  
**Ling Zou**

**Date: September 25, 2014**

**Idaho National Laboratory**  
**Risk, Reliability, and Regulatory Support**  
**Idaho Falls, Idaho 83415**



## **ABSTRACT**

This INL plan comprehensively describes the software for RELAP-7 and documents the software, interface, and software design requirements for the application. The plan also describes the testing-based software verification and validation (SV&V) process—a set of specially designed software models used to test RELAP-7.



# PREFACE

## Document Version

It is the reader's responsibility to ensure he/she has the latest version of this document. Direct Questions may be directed to the owner of the document and project manager:

Project Manager: Curtis L. Smith, RISMC Pathway Lead

Idaho National Laboratory

Phone: (208) 526-9804.

E-mail: [Curtis.Smith@inl.gov](mailto:Curtis.Smith@inl.gov) .





# CONTENTS

1.	Introduction and Overview .....	1
1.1	System Description .....	2
1.2	Plan Objectives .....	2
1.2.1	Software Quality Assurance .....	4
1.3	Supporting Activities .....	5
1.3.1	Development of MOOSE Application .....	5
1.3.2	Technology Transfer .....	6
1.4	RELAP-7 Features .....	7
2.	Software Requirements .....	11
2.1	Introduction.....	11
2.2	General Features of RELAP-7 .....	14
2.2.1	Software Framework .....	14
2.2.2	Governing Theory .....	14
2.2.3	Computational Approach.....	15
2.3	Single-Phase Thermal Fluid Modeling Requirements .....	15
2.3.1	Single-Phase Flow Model.....	15
2.3.2	Single-Phase Flow Constitutive Models .....	15
2.4	Two-Phase Thermal Fluids Modeling Requirements.....	15
2.4.1	Seven Equation Two-Phase Flow Model .....	15
2.4.2	Seven Equation Two-Phase Constitutive Models .....	16
2.4.3	Homogeneous Equilibrium Two-Phase Flow Model (HEM).....	16
2.5	Heat Conduction Modeling Requirements.....	17
2.5.1	Heat Conduction Model .....	17
2.5.2	Material Properties .....	17
2.6	Requirements for Numerical Methods .....	17
2.6.1	Spatial Discretization Algorithm.....	17
2.6.2	Time Integral Methods .....	17
2.6.3	The PCICE Algorithm.....	17
2.6.4	Solution Stabilization Methods .....	17
2.6.5	Jacobian-Free Newton Krylov Solver (JFNK) .....	18
2.7	Component Model Requirements .....	18
2.7.1	Pipe.....	18
2.7.2	Pipe with Heat Structure.....	18
2.7.3	Core Channel.....	18
2.7.4	Heat Exchanger .....	18
2.7.5	Junction/Branch.....	18
2.7.6	Pump.....	19
2.7.7	Turbine .....	19
2.7.8	Separate Dryer.....	19
2.7.9	Down Comer .....	19
2.7.10	Valves.....	19

2.7.11	Compressible Valve Models.....	19
2.7.12	Wet Well Model .....	20
2.7.13	Time Dependent Volume .....	20
2.7.14	Time Dependent Junction.....	20
2.7.15	Sub-Channel .....	20
2.7.16	Reactor.....	20
2.7.17	Pressurizer .....	20
2.8	Reactor Kinetics Model Requirements .....	20
2.8.1	Point Kinetics Equations .....	20
2.8.2	Fission Product Decay Model .....	21
2.8.3	Actinide Decay Model.....	21
2.8.4	Transformation of Equations for Solution.....	21
2.8.5	Reactivity Feedback Model.....	21
3.	Interface Requirements Specification.....	22
3.1	Introduction.....	22
3.2	Single and Two-Phase Thermal Fluid Modeling Interface Requirements .....	22
3.3	Equation of State Interface Requirements.....	23
3.4	Material Properties Modeling Interface Requirements .....	23
3.5	Numerical Methods Interface Requirements.....	23
3.6	Component Model Interface Requirements .....	23
3.7	Reactor Kinetics Interface Requirements.....	23
3.8	Control, Output, Post-processing, Debugging Interface Requirements .....	23
3.9	Function .....	24
4.	Design Specification.....	26
4.1	Introduction.....	26
4.2	Peacock .....	26
4.2.1	Input File Editor .....	26
4.2.2	Parameter Editor.....	28
4.2.3	Execute Tab.....	29
4.2.4	Post-process Tab.....	29
4.2.5	Visualize Tab.....	30
4.3	RAVEN GUI for RELAP-7 using Peacock .....	31
5.	V&V Approach .....	34
5.1	Introduction.....	34
5.2	Scope of V&V Approach.....	34
5.2.1	Identify Nuclear Power Plants (NPP) and Scenarios.....	34
5.2.2	Identify and Rank Key Phenomena .....	34
5.2.3	Identify Capabilities and Gaps .....	35
5.2.4	Identify Data Availability and Needs .....	35
5.3	RELAP-7 V&V Plan.....	35

5.3.1	Measureable Metric Matrix .....	35
5.3.2	Multi-phase approach .....	35
6.	Test Specification and Methodologies .....	38
6.1	Automated Testing .....	38
6.2	RELAP-5 Case Studies .....	39
6.2.1	Demonstration of a steady state single phase PWR simulation with RELAP-7.....	40
6.2.2	Simulation Resolving an SBO Scenario on a Simplified Geometry of a BWR .....	41
6.2.3	Demonstrating Seven-Equation, Two-Phase Flow Simulation in a Single-Pipe, Two-Phase Reactor Core and Steam Separator/Dryer .....	42
7.	Concluding Remark.....	43
	Appendix A RELAP-7 Input Parameters.....	44
	Appendix B Automated Test “run_tests” Script .....	150
	Appendix C RELAP-7 Featured Tests and Status .....	152
	Appendix D Requirements Traceability Matrix.....	158

## FIGURES

Figure 1	MOOSE-based applications .....	6
Table 1	Main features of RELAP-7 by version .....	9
Table 2	Component-related attributes for the December 2014 β1 release of RELAP-7.....	10
Table 3	Aspects considered in the existing code .....	11
Table 4	Technology requirements for RELAP-7 development .....	12
Table 5	Business requirements for RELAP-7 development .....	13
Table 6	Type of components and corresponding blocks.....	24
Table 7	Blocks of control, output, post-processing and debugging .....	24
Figure 3	Input File Tab .....	27
Figure 4	Input File Tab with text-based input.....	27
Figure 5	Peacock - Parameter Editor .....	28
Figure 6	Peacock - Execute Tab .....	29
Figure 7	Peacock - Post-process Tab .....	30

Figure 8 Peacock - Visualize Tab ..... 31

Figure 9 RELAP-7 input by PEACOCK/RAVEN ..... 32

Figure 10 Online monitoring during the simulation ..... 33

Figure 11 Online monitoring of variables..... 33

Figure 12 RELAP-7 V&V paradigm for 5 suggested metrics (Integral Effect Test (IFT) and Separate Effect Tests (SET))..... 37

Table 8 List of models tested ..... 38

Figure 15 Schematics of simplified PWR problem ..... 40

Figure 16 Schematics of a BWR system..... 41

**TABLES**

Table 1 Main features of RELAP-7 by version ..... 9

Table 2 Component-related attributes for the December 2014 β1 release of RELAP-7..... 10

Table 3 Aspects considered in the existing code ..... 11

Table 4 Technology requirements for RELAP-7 development ..... 12

Table 5 Business requirements for RELAP-7 development ..... 13

Table 6 Type of components and corresponding blocks..... 24

Table 7 Blocks of control, output, post-processing and debugging ..... 24

Table 8 List of models tested ..... 38

## ACRONYMS

API	Application Programming Interfaces
BDF	High-order Backward Differentiation Formula
BWR	Boiling Water Reactor
CFD	Computational Fluid Dynamics
CHT	Conjugate Heat Transfer
CSV	Comma Separated Value
DEM	Discrete Equation Method
DNBR	Departure from nucleate boiling
ECCS	Emergency Core Cooling System
EOS	Equation of State
FDP	Finite Difference Preconditioner
FEM	Finite Element Method
FIST	Full Intergral Simulation
GUI	Graphical User Interface
IAPWS	International Association for the Properties of Water and Steam
IFT	Intergral Effect Test
INL	Idaho National Laboratory
JFNK	Jacobian-Free Newton Krylov
HEM	Homogeneous Equilibrium Model
HRM	Homogeneous Relaxation Model
LBLOCA	Large Break LOCA
LOCA	Loss of Coolant Accident
LOFT	Loss of Fluid Test
LWR	Light Water Reactor
MCPR	Minimum Critical Power Ratio
MOOSE	Multi-Physics Object-Oriented Simulation Environment
NEA	Nuclear Energy Agency
NPP	Nuclear Power Plant
OECD	Organization for Economics Co-operation and Development
PBP	Physics Based Preconditioner
PCICE	Pressure-Corrected Implicit Continuous-fluid Eulerian
PIRT	Phenomena Identification and Ranking Tables
PWR	Pressurized Water Reactor
RAVEN	Risk Analysis Virtual control ENvironment
RELAP	Reactor Excursion and Leak Analysis Program

*RELAP-7 Software Verification and Validation Plan*

RCIC	Reactor Core Isolation Cooling
SBP	Single Based Preconditioner
SBLOCA	Small Break LOCA
SBO	Station Black Out
SET	Separate Effect Tests
SGEOS	Stiffend Gas Equation of State
SMP	Single Matrix Preconditioner
SQA	Software Quality Assurance
SV&V	Software Verification and Validation
TDV	Time Dependent Volume
V&V	Verification and Validation

## RELATED DOCUMENTS

---

Item	Reference	Description
------	-----------	-------------

---



# RELAP-7

## Software Verification and Validation Plan

### 1. Introduction and Overview

This plan describes the software for RELAP-7 and presents the software, interface, and software design requirements informally documented for previous releases of the application. The plan also presents information concerning the testing-based software verification and validation (SV&V) process—a set of specially designed software models and scripts used to test RELAP-7 and subsequent versions. This document is a “living” document in that it will be periodically updated as new or revised information related to the RELAP-7 development is obtained.

The organization of the document is as follows:

Sections and Appendices	Subject Area
1	Description of the RELAP-7 product, support activities, features and development status.
2	Software and platform interface requirements, describing at high-level governing physical theories and equations.
3	Interface of the RELAP-7 describing how user may create input fields and the design of the main functional areas and what they do.
4	Graphical software design for the main functional areas, explaining how the areas are used to implement the actual RELAP-7 code, with example forms, platforms, and tool-specific information.
5	Description of how the software verification and validation process are approached planed.
6	RELAP-7 test methods and results. Examples of authomated test.
A	Detailed description of RELAP-7 input parameters
B, C	Automated test script, and list of test and its result.

## 1.1 System Description

The RELAP-7 (Reactor Excursion and Leak Analysis Program) code is a nuclear reactor system safety analysis code being developed at Idaho National Laboratory (INL). The code is based on the INL's modern scientific software development framework – MOOSE (Multi-Physics Object-Oriented Simulation Environment). The overall design goal of RELAP-7 is to take advantage of the previous thirty years of advancements in computer architecture, software design, numerical integration methods, and physical models. The end result will be a reactor systems analysis capability that retains and improves upon RELAP5's capability and extends the analysis capability for all reactor system simulation scenarios.

## 1.2 Plan Objectives

The objective of this plan is to document the software development process for RELAP-7. Additional information provided in this plan includes the software requirements specification (SRS), and the interface requirements specification (IRS), and the software design specification (SDS), which have been informally documented for previous releases of the application.

For the INL, Software Quality Assurance (SQA) requirements are contract driven and interpreted from DOE Order 414.1C, "Quality Assurance", 10 CFR 830 Subpart A, "Quality Assurance Requirements", and ASME NQA-1-2000, "Quality Assurance Requirements for Nuclear Facility Applications." The INL internal document, PDD-13610, "Software Quality Assurance Program," describes the SQA Program at the INL. To implement the SQA Program, two supporting documents are used at the INL:

- LWP-13620, "Software Quality Assurance" is the entry-level document for the SQA work processes. This procedure directs the SQA activities during the software life cycle which consists of requirements, design, implementation, acceptance test, operations, maintenance, and retirement. LWP-13620 is designed to standardize the lab's SQA implementation by applying a graded approach and utilizing trained personnel in the identification of the required SQA activities. LWP-13620 provides direction in determining the rigor (level of effort) required when (a) performing SQA activities and (b) creating documentation for each phase of the software life cycle.

SQA must be applied to all INL software (including RELAP-7 development) activities that meet the criteria in LWP-13620. Performing SQA is important because it (a) maintains compliance with DOE O 414.1C, "Quality Assurance" and 10 CFR 830 "Nuclear Safety Management", Subpart A "Quality Assurance Requirements"; (b) assists in assuring you are following a stable, repeatable process that is cost effective and consistently meets customer requirements; and (c) provides a foundation for ensuring the quality of software developed, procured, and modified at the INL.

Per PDD-13610, the Software Owner is a representative of the organization responsible for the application of the software. He/she is identified in the INL Enterprise Architecture and is responsible for:

- Identifying and documenting the appropriate safety software categorization to software per LWP-13620.
- Approving software management plan, requirement, acceptance test, and retirement documentation
- Approving results of evaluations of acquired and legacy software to determine adequacy to support the operations, maintenance, and retirement phases
- Procuring software using LWP-4001, "Material Acquisitions" and LWP-4002, "Service Acquisitions."
- Developing and implementing program-specific training for the operational use of safety software

- Considering whether user training is needed for the operational use of Quality Level 1 and Quality Level 2 software.

"Software" as defined by the PDD-13610 procedure pertains to computer programs and associated documentation and data pertaining to the operation of a computer system and includes:

1. Application Software - software designed to fulfill specific needs of a user; for example navigation, payroll, or process control.
2. Support Software such as the following software tools (e.g., compilers, configuration and code management software, editors) or system software (e.g., operating systems).

Note that within the INL SQA process, software that does not fall within the scope of the SQA Program includes any software covered by a contractual agreement, such as Work for Others, that includes references or requires a specific documented SQA process. Applicable documents that apply to RELAP-7 development include:

- Software Quality Assurance Plan for RELAP-7, PLN-4212, 5/31/2012.
- Software Project Management Plan for RELAP-7, PLN-4213, 6/28/2012.
- Software Configuration Management Plan for the RELAP-7 Project, PLN-4214, 6/30/2012.
- RELAP-7 Development Plan, INL/MIS-13-28183, 1/2013.

It is the responsibility of the **Software Owner** to make the determination as to whether a particular software can be classified as "safety software." Safety Software includes the following type of software:

- **Safety System Software.** Software for a nuclear facility that performs a safety function as part of a structure, system, or component *and* is cited in either (a) a DOE approved documented safety analysis or (b) an approved hazard analysis per DOE P 450.4, Safety Management System Policy, dated 10-15-96, and the DEAR clause.
- **Safety Analysis and Design Software.** Software that is used to classify, design, or analyze nuclear facilities. This software is not part of a structure, system, or component (SSC) but helps to ensure that the proper accident or hazards analysis of nuclear facilities or an SSC that performs a safety function.
- **Safety Management and Administrative Controls Software.** Software that performs a hazard control function in support of nuclear facility or radiological safety management programs or technical safety requirements or other software that performs a control function necessary to provide adequate protection from nuclear facility or radiological hazards. This software supports eliminating, limiting or mitigating nuclear hazards to worker, the public, or the environment as addressed in 10 CFR 830, 10 CFR 835, and the DEAR ISMS clause.

For all software that falls within the scope of the SQA Program, a **quality level** must be assigned by a qualified Quality Level Analyst with review and concurrence by a Quality Level Reviewer (i.e., a second Quality Level Analyst) per LWP-13014, "Determining Quality Levels." The Quality Level Analyst should then communicate to the Software Owner the determined quality level.

A quality level is a designator that identifies the relative risk associated with the failure of items or activities. This quality level determination must be performed regardless of the size or complexity of the software. The Quality Levels are defined as follows:

- Quality Level 1** software is software whose failure creates "high" risk. This software requires a high degree of rigor during the software life cycle.
- Quality Level 2** software is software whose failure creates "medium" risk. This software requires a moderate degree of rigor during the software life cycle.
- Quality Level 3** software is software whose failure creates "low" risk. This software requires a low degree of rigor during the software life cycle.

The quality level of the software is a component when determining the level of rigor (graded-approach) that the SQA Specialist must ensure is applied when performing software quality assurance activities or creating documentation for each phase of the software life cycle. The higher the quality level of the software, the more rigorous the quality assurance activities and documentation will need to be as defined in Section 4.2 of LWP-13620.

Per the Requirements Phase Documentation table in LWP-13620:

1. For QL-1 and QL-2 Custom-Developed or Configurable software: include within the software's documentation (e.g., Project Execution Plan (PEP), Software Quality Assurance Plan (SQAP)):
  - a. The activities to be performed to support software quality assurance (e.g., design reviews, acceptance testing, reviews and audits),
  - b. Identify SQA documentation to be generated,
  - c. Identify the roles and responsibilities for SQA activities, and
  - d. The methodology for tracing requirements throughout the software life cycle.
2. For QL-3 Custom Developed or Configurable software and all other software types (i.e., acquired, utility calculations, commercial D&A), the described information is optional or not applicable within the software's documentation.

All documentation that furnishes evidence of the software quality is considered a QA record and should be handled as a quality record according to the organization, program, or project's Records Management Plan as required by LWP-1202. QA records generated during the software development life cycle could include project plans, requirement specifications, configuration management plans, software quality assurance plans, security plans, and verification and validation documentation (e.g., test plans, test cases, and design review documents).

It is the responsibility of the contractor to ensure that these quality criteria are adequately addressed throughout the course of the research that is performed.

### **1.2.1 Software Quality Assurance**

Software assurance is the planned and systematic set of activities that ensures that software processes and products conform to requirements, standards, and procedures. These processes are followed in order to enhance the robustness of the development process. Having formal documented development procedures and requirements helps to streamline the development cycle and focus on customer-driven needs.

In an attempt to improve the quality of the RELAP-7 tool set, effort has been made to establish criteria to which the development and control processes adhere. The recording of coding standards and

the creation of the Requirements Traceability Matrix (RTM) will be added to improve code use and to establish traceability.

The roles and responsibilities of each team member are described below:

- Project Manager – Executes, maintains, and updates this plan. Monitors SV&V activities for the RELAP-7 Project. Coordinates formal user acceptance testing, when required. Performs as an alternate for technical team members.
- Software Developer – Performs design reviews, test case identification, design, construction, and functional unit testing during software development; reports anomalies and deviations to the Project Manager.
- Quality Assurance – Supports SV&V activities including RELAP-7 reviews. Is independent of the development and testing work

## 1.3 Supporting Activities

### 1.3.1 Development of MOOSE Application

RELAP-7 is a MOOSE (Multiphysics Object-Oriented Simulation Environment) based application which uses open source software packages, such as PETSC (a nonlinear solver developed at Argonne National Laboratory) and LibMesh (a Finite Element Analysis package developed at University of Texas). MOOSE provides numerical integration methods and mesh management for parallel computation. Therefore RELAP-7 code developers only need to focus upon the physics and user interface capability. By using the MOOSE development environment, RELAP-7 code is developed by following the same modern software design paradigms used for other MOOSE development efforts.

There are currently over 20 different MOOSE based applications ranging from 3-D transient neutron transport, detailed 3-D transient fuel performance analysis, to long-term material aging. Multi-physics and multiple dimensional analyses capabilities, such as radiation transport, can be obtained by coupling RELAP-7 and other MOOSE-based applications through MOOSE. This allows restricting the focus of RELAP-7 to systems analysis-type simulations.

The RISM ToolKit is being built using the INL's MOOSE framework. MOOSE has been designed to solve multi-physics systems that involve multiple physical models or multiple simultaneous physical phenomena. Inside MOOSE, the Jacobian-Free Newton Krylov (JFNK) method is implemented as a parallel nonlinear solver that naturally supports effective coupling between physics equation systems (or Kernels). This capability allows for a tightly-coupled set of tools that work together, as shown in Figure 1.

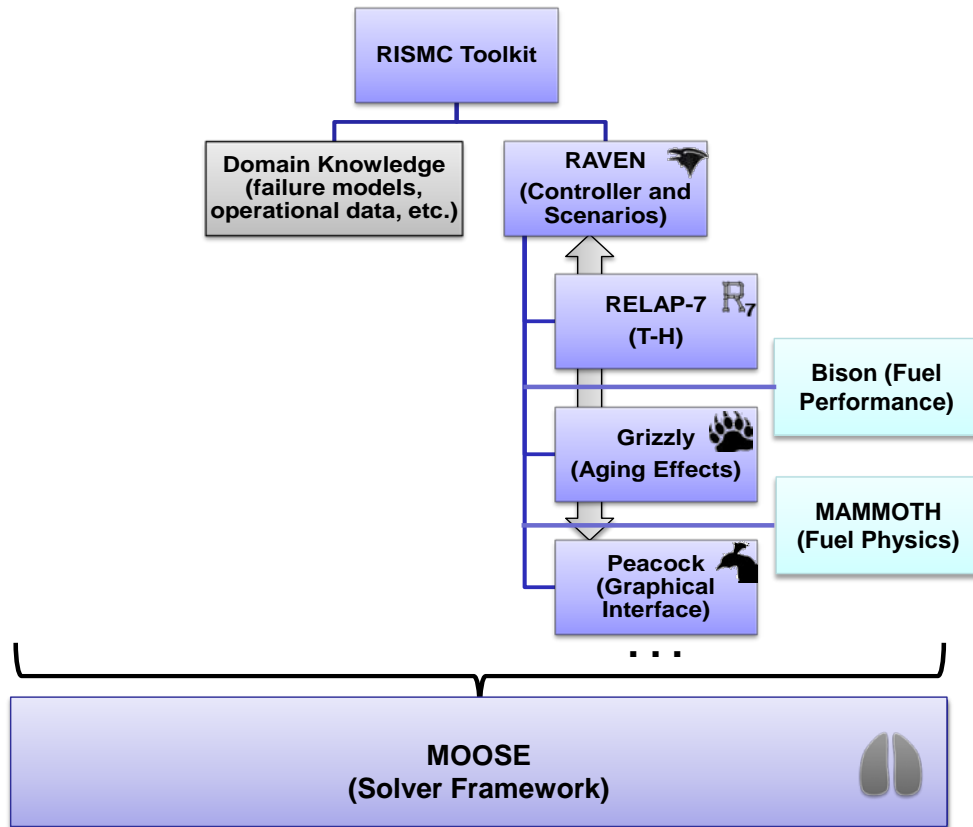


Figure 1 MOOSE-based applications

### 1.3.2 Technology Transfer

Development of RELAP-7 is to support US nuclear power industry and technical stewardship is envisaged. To realize this long-term vision, several items are considered.

The RELAP-7 code is still undergoing development and the beta-version will be released by December 2014 to get feedback and suggestions for improvement on usability and applicability from the user community.

The RELAP-7 quality assurance (QA) process includes the specific activities of verification, validation, assessment, and related documentation to facilitate reviews of these activities. To support these QA activities, a various results from facility operation, integral effects test, separate effect tests, and fundamental tests including experiments on individual components have been collected. The INL has started the QA process by implementing modern software management processes (including the use of tools such as source code version control) as a part of the RELAP-7 development, conducting NQA-1 audits, and creating a software verification and validation plan (SVVP).

To keep the intellectual property, RELAP-7 is copyrighted software that has been developed by the INL from funding provided by the U.S. Department of Energy. The type of software license for RELAP-7 is still to be determined. RELAP-7 is subject to U.S. Export Control laws, including a complete embargo against any person from a T5 country (currently: Cuba, Iran, North Korea, Syria and Sudan). The

software license for the supporting MOOSE framework is the open source license “Lesser GNU Public License (LGPL) version 2.1.”

## 1.4 RELAP-7 Features

In general RELAP-7 provides computational simulation of thermal-hydraulic behavior in a nuclear power plant and its components. Representative thermal hydraulic models are used to depict the major physical components and describe major physical processes. RELAP-7 has five main types of components/capabilities:

- Three-dimensional (3D)
- Two dimensional (2D)
- One-dimensional (1D) components (e.g., pipe)
- Zero-dimensional (0D) components for setting boundary conditions for the 1D components (e.g., Pressure boundary condition of pump)
- 0D components for connecting 1D components

RELAP-7 could be coupled to 3D core modeling MOOSE-based codes to enable detailed resolution.

The RELAP-7 code development started in 2012 based upon development input from the Electric Power Research Institute. During the first year of the code development, the software framework was created to establish the basic reactor system simulation capability with a number of components developed for single-phase thermal fluid flow. Later, two-phase flow modeling capability was implemented in the RELAP-7 code. These capabilities have been demonstrated via application to a boiling water reactor simulation with representative components under extended Station Black Out (SBO) transient conditions.

In summary, RELAP-7 provides advanced system-safety analysis capability that:

- Represents a variety of components for pressurized and boiling water reactors
- Uses single- and two-phase flow models (user selectable)
- Leveraged advances in computational sciences for advanced numerical methods including parallel processing on high-performance computers
- Facilitates a multi-physics capability by coupling with other mechanistic codes within the MOOSE framework

Table 1 shows main features of RELAP-7 by version. Currently, RELAP-7 code is under development. The RELAP-7  $\alpha$ -0.1 was released in May 2012, and followed by  $\alpha$ -0.2 version in August 2013 and  $\alpha$ -0.6 version in September 2014. The release of RELAP-7  $\beta$ 1 version is expected in December 2014. The capability of analysis features and range of analysis of  $\beta$ 1 version are:

- Analysis Capabilities
  - All-speed, all-fluid (vapor-liquid, gas, liquid metal) flow algorithm – agnostic of reactor concept (coolant types). Specific hydrodynamic models include single-phase flow (liquid water, liquid metal, and single component gas flow), homogeneous equilibrium two-phase flow (HEM), and 7-Equation two-phase flow with simple closures.
  - Point kinetics model for simple neutronics analysis.

- Multi-group radiative diffusion for assembly-homogenized calculations when coupled through the multi-scale radiation transport application, Rattlesnake.
  - One and two-dimensional core heat structures strongly coupled with coolant fluids, or conjugate heat transfer (CHT). Core heat structures are based upon fuel-gap-clad sub-structures.
  - Fuels-performance-informed core heat structures through coupling with the BISON fuels performance application. This coupling capability enables fuels performance information to be provided directly to the core heat structures for fuel state evolution (burnup, depletion, and decay heat), pellet-cladding interaction (gap closures), thermal property evolution, and clad/centerline fuel temperatures.
- Range of Applicability:
    - Single-phase steady state and transient analysis for PWR applications (note that the steam generator model for a PWR will not be available) using HEM.
    - BWR steady state and transient analysis (including SBO) using HEM.
    - BWR steady state and transient analysis (including SBO) using the 7-equation two-phase flow model for the reactor core and HEM for the balance of the plant.
  - Equation of State/Properties:
    - Ideal gas equation of state for single-component gas (helium, nitrogen, etc.).
    - Stiffened gas equation of state for single-phase liquid water and simplified water steam mixtures.
    - Linearized equation of state for general applications such as single-phase water and sodium.
    - IAPWS-95 steam/water properties

The primary objective of the beta version release is to get feedback and suggestions for improvement on usability and applicability from the user community. For better feedback first release will be available for expert users. The updated RELAP-7 Theory manual and user guide will be also released together with beta version. Details for the components that will be available in the beta version are shown in Table 2.



Table 1 Main features of RELAP-7 by version

Version	Features		
	Software design and structure	Numerical methods	Physics
$\alpha$ -0.1	First working loop structure based on MOOSE - Physical components such as 1-D pipe, junctions, pump, heat structure - Software structure for closure laws	- Second-order finite element methods for 1D single phase flow - Multi-physics coupling	- 1D compressible single phase flow - Point kinetics model - Wall heat transfer and friction correlations - Simple fluid and solid properties
$\alpha$ -0.2	Working loop structure for 2-phase flow - Physical components for BWR primary and safety systems	- First and second order time integration methods for 1D 2phase flow - Multiphysics Coupling	- 2-phase flow with qualitative closure models for vertical flow regime - Water properties - Simplified models for reactor core, steam dome, dry well and wet well
$\alpha$ -0.6	- Flexible software structure allowing scalable development of components - Preliminary input/output	- Large time steps for long transient - Efficient pre-conditioning	- 2-phase flow with some quantitative closure models - Consistent choked flow - 2D or 3D diffusion models - Control/trip systems
$\beta$ 1	- Complete software structure allowing rapid and scalable Development - Easy to couple other MOOSE based applications - Methods for proprietary info - GUI	- Efficient Parallel computing - Multiple dimension coupling - Multiple scale coupling	- More quantitative closure models for 2-phase flow - Fuel burn-up model - Interface to 3-D neutron transport model - More realistic physical component models

Table 2 Component-related attributes for the December 2014 β1 release of RELAP-7

RELAP-7 Component	Dimensionality			Hydrodynamic Model			Suitable for conditions in...	
	0D	1D	2D /3D	Single Phase	Two Phase HEM	Two Phase 7-Eq.	PWR	BWR
Pipe		■		■	■	■	■	■
PipeWithHeatStructure		■	■	■	■	■	■	■
CoreChannel		■	■	■	■	■	■	■
Subchannel			■	■			■	
HeatExchanger		■	■	■	■		■	■
TimeDependentVolume	■			■	■	■	■	■
TimeDependentMassFlowRate	■			■	■	■	■	■
Branch	■			■	■		■	■
Valve	■			■			■	■
CompressibleValve	■			■			■	■
CheckValve	■			■			■	■
Pump	■			■			■	■
PointKinetics	■						■	■
SeparatorDryer	■				■			■
Downcomer	■				■			■
WetWell	■			■	■			■
Reactor	■						■	■
Turbine	■			■			■	■
Pressurizer	■				■		■	

## 2. Software Requirements

### 2.1 Introduction

The Technical Report of the Electric Power Research Institute (EPRI) in 2010 “Desired Characteristics for Next Generation Integrated Nuclear Safety Analysis Method and Software” provides guidance on the industry needs that can be factored to the RELAP-7 development. The existing system thermal-hydraulic codes in US are surveyed, and categorized the codes into capability of LOCA and/or non-LOCA based scenario and other related phenomena. The current status of the main aspects of existing codes is shown in Table 3.

Table 3 Aspects considered in the existing code

Code specification	Aspects considered in the code
LOCA	<ul style="list-style-type: none"> <li>• LWR design (PWR, BWR)</li> <li>• PWR design (Westinghouse vs. Combustion Engineering vs. Babcock&amp;Wilcox)</li> <li>• Emergency Core Cooling System (ECCS) design (accumulators and pumped injection system)</li> <li>• Containment design (high vs. low backpressure)</li> <li>• Large-break LOCA (LBLOCA) vs. Small break LOCA (SBLOCA)</li> <li>• High vs. low analytical margin</li> <li>• Part 10CFR Chapter 50 App.K vs. (traditional conservative approach vs. 50.46(a)(1)(i) (best-estimate plus uncertainty approach)</li> </ul>
Non-LOCA	<ul style="list-style-type: none"> <li>• Excessive heat transfer</li> <li>• Loss of heat transfer and loss of flow</li> <li>• Reactivity and core power distribution</li> <li>• Increase and decrease in inventory</li> </ul>
Core sub-channel analysis	<ul style="list-style-type: none"> <li>• Fuel rod thermal modeling</li> <li>• Departure from nucleate boiling (DNBR)</li> <li>• Minimum critical power ratio (MCPR)</li> </ul>
Fuel rod analysis	<ul style="list-style-type: none"> <li>• Mechanical and thermal behavior of fuel pellets, gap and cladding</li> <li>• Steady-state analysis</li> <li>• Transient analysis during LOCA</li> </ul>
Neutronics	<ul style="list-style-type: none"> <li>• Generate physics parameters for reactor kinetics model in system code</li> <li>• Prediction of core power distribution</li> <li>• 3-D core power boundary condition coupled with system code</li> </ul>
Other	<ul style="list-style-type: none"> <li>• Containment analysis</li> <li>• Multi-dimensional fluid flow at microscale level of detail</li> <li>• Radiological consequence analysis</li> <li>• Chemistry effects</li> <li>• Fluid/mechanical interaction analysis</li> <li>• Coupling of codes</li> </ul>

The report also summarized the legacy issues and technology / business requirements and recommendation. There are unresolved legacy issues of the thermal-hydraulic codes partially due to the complexity of the technology and partially due to the decline in research and development. The legacy issues are categorized into physical phenomena, numerical discretization, code and modeling accuracy, computer science, validation and etc. The requirements for RELAP-7 development are therefore suggested based on the current state of code specification and legacy issues. The technology and business requirements are labeled as “Essential” and “Recommended” in Table 4 and Table 5.

Table 4 Technology requirements for RELAP-7 development

Technology Requirements	
• Use most advanced computer science technology to optimize accuracy and speed	Essential
• Implement 3D modeling for obtaining high level of resolution includes coupling to CFD code	Essential
• Provide coordinate system to represent actual design	Recommended
• Develop standard modules for meshing to lessen the variability of the result	Recommended
• Identify standard or recommended options to lessen the variability of the result	Recommended
• Not subject to failure as a result of numerical methods	Essential
• Address legacy issues associated with two-phase flow	Recommended
• Model droplet for BWR core spray and containment spray of PWR/BWR	Recommended
• Model sources and transport of particles in vapor, gas, droplet and liquid	Essential
• Model transport of non-condensable gases including heat transfer effect	Essential
• Provide multi-scale / multi-physics simulation of following scope by embedded or coupling : fuel rod; fuel assembly reactor primary coolant system; secondary coolant system and balance of plant: instrumentation and controls; containment; site radiological consequences; offsite radiological consequences; and fluid/structure interaction for dynamic loads	Essential
• User friendly steady-state initialization and restart capabilities	Recommended
• Provide clear and easy diagnostics to assist with debugging and workaround	Recommended
• Provide detailed documentation of theory, programming, user manual, validation basis and user guidelines	Essential
• Provide comprehensive GUI for pre/post-processing and on-line monitoring	Essential

The report suggests three high-level recommendations.

*Recommendation 1*

The RELAP-7 code development effort should focus on addressing the unresolved legacy issues that characterize the limitation of the current status of the technology.

*Recommendation 2*

Pursue the vision of RELAP-7 as a multi-dimensional / multi-scale / multi-physics integrated simulation capability, which allows any transient or accident in a LWR to be modeled in high fidelity.

*Recommendation 3*

RELAP-7 development and release to the future user community should be guided by the technical requirements and business requirements presented in Table 4 and 5.

Table 5 Business requirements for RELAP-7 development

Business Requirements	
• Identify scope and contents of each code version	Essential
• Develop process to insert proprietary data such as fluid properties and correlations by users	Essential
• Develop process to substitute certain section of the code such as proprietary 3D kinetics code	Recommended
• Formal QA program for code development and verification activities	Essential
• Code validation in parallel with code development	Essential
• Release sufficiently updated version and perform broad set of test	Essential
• Promote to the academic users	Recommended
• Foster communication with users by conference and papers	Recommended
• Remove potential administrative obstacles that could affect growth of use	Recommended
• Focus on GUI development for user friendly environment	Essential
• Develop infrastructure to support user community	Essential
• Identify, prioritize and plan long-term improvement and modernization	Essential
• Consider broader prospective worldwide user community	Recommended

## 2.2 General Features of RELAP-7

The RELAP-7 application is the next generation nuclear reactor system safety analysis code. The code is based upon the MOOSE (Multi-Physics Object-Oriented Simulation Environment). The goal of RELAP-7 development is to leverage of advancements in software design, numerical integration methods, and physical models. Specifically, the RELAP-7 design is based upon:

- Modern Software Design:
  - Object-oriented C++ construction provided by the MOOSE framework
  - Designed to significantly reduce the expense and time of RELAP-7 development
  - Designed to be easily extended and maintain
  - Meets NQA-1 requirements
- Advanced Numerical Integration Methods:
  - Multi-scale time integration, PCICE (operator split), JFNK (implicit nonlinear Newton method), and a point implicit method (long duration transients)
  - New pipe network algorithm based upon Mortar FEM (Lagrange multipliers)
  - Ability to couple to multi-dimensional reactor simulators
- State-of-the-Art Physical Models:
  - All-speed, all-fluid (vapor-liquid, gas, liquid metal) flow
  - Well-posed 7-equation two-phase flow model
  - New reactor heat transfer model based upon fuels performance

### 2.2.1 Software Framework

The RELAP-7 (Reactor Excursion and Leak Analysis Program) code is based on INL developed framework software MOOSE (Multi-Physics Object Oriented Simulation Environment) which may model fully coupled nonlinear partial differential equations. The Graphical User Interface (GUI) of RELAP-7 can be provided by another MOOSE based software named Risk Analysis Virtual control ENvironment (RAVEN).

### 2.2.2 Governing Theory

Fundamentally, the RELAP-7 code is designed to simulate all-speed and all-fluid for both single and two-phase flow. However, current status RELAP-7 development focuses on simulation of the light water reactors (LWR), thus, two-phase flow model is described here.

The main governing theories of RELAP-7 are: 7-equation two-phase flow; reactor core heat transfer; and reactor kinetics models.

The 7-equation two-phase flow model consists of mass, momentum and energy (or pressure) equation for both liquid and vapor phases and a topological equation which explains the state of the two-phase mixture. This model may solve compressible fluid at all-speed multiphase flow which allows analyzing various transient phenomena and accident scenarios in LWR. In the RELAP-7, the 7-equation model is implemented in the MOOSE finite element framework.

Both convective and conduction heat transfer is simulated for fuel, fluid, and structures. The reactor core heat source is modeled by point kinetic method considering hydraulic reactivity feedback. The three-dimensional reactor kinetics may simulate through coupling with RattleSnake which is a reactor kinetics code with both diffusion and transport capabilities based on MOOSE framework.

### 2.2.3 Computational Approach

The RELAP-7 uses MOOSE-based applications with a multitude of mathematical and numerical libraries: LibMesh for the second-order accurate spatial discretization by employing linear basis, one-dimensional finite elements; Message Passing Interface (MPI) for distributed parallel processing; Intel Threading Building Blocks (Intel TBB) for parallel C++ programs to take full advantage of multi-core architecture found in most large-scale machines; and PETSc, Trilinos and Hypre for the mathematical libraries and nonlinear solver capabilities for Jacobian-Free Newton Krylov (JFNK).

To cover various time scale range of reactor transient and accident scenarios, the RELAP-7 pursues three-level time integration approaches: Pressure-Corrected Implicit Continuous-fluid Eulerian (PCICE) computational fluid dynamics (CFD) scheme for highly compressible and/or contain significant energy deposition, chemical reactions, or phase change problems; JFNK method for multi-physics problems during the transients; Point Implicit time Integration method for long duration and slow transient scenarios.

## 2.3 Single-Phase Thermal Fluid Modeling Requirements

### 2.3.1 Single-Phase Flow Model

The single-phase flow model treats one-dimensional flow component such as pipe or duct which the cross-sectional area may varies. The model consists of mass, momentum, energy and entropy transport equations, and is integrated to the instantaneous area-averaged generic balance equation by applying Leibnitz and Gauss rules.

### 2.3.2 Single-Phase Flow Constitutive Models

The wall friction factor of single-phase flow is based on interpolation scheme between laminar, laminar-turbulent transition, and turbulent flow regimes based on the Reynold number ( $Re$ ). The wall heat transfer model for single-phase flow is same with the model used in RELAP5. For the convective heat transfer flow is assumed as steady-state fully-developed flow, and non-fully developed effect will be added in the future.

Same to RELAP5, the RELAP-7 will analyze both internal and external flow for pipe, tube, plate, sphere, etc with different flow directions. Currently the RELAP-7 has only two most common geometries: “101”, internal pipe flow; and “110”, bundle of in-line rods with parallel flow only. The internal pipe geometry “101” may cover maximum of forced-laminar, forced-turbulent and free convection flow and heat transfer of the liquid metal as well. The vertical bundles with in-line rods model of geometry “110” only covers parallel flow that the Inayatov’s turbulent flow multiplier of is applied. This multiplier is based on the rod pitch to rod diameter ratio.

The RELAP-7 uses different equation of state to resolve various single-phase flow models: barotropic equation of state; isentropic stiffened gas equation of state; linear equation of state; stiffened gas equation of state; and ideal gas equation of state.

## 2.4 Two-Phase Thermal Fluids Modeling Requirements

### 2.4.1 Seven Equation Two-Phase Flow Model

In order to analyze nuclear reactor transient phenomena, the two-phase flow with heat and mass transfer considering both boiling and cavitation effect should be studied. The RELAP-7 uses “ensemble

averaging” technique for the properties. This technique has been developed to solve multi-component flow without using control volume. This concept averages the property data from many of information including experiments. For the multi-phase flow the ensemble average calls following variables: phase, material indicator, material density, material velocity, material specific enthalpy, pressure, deviatoric stress, species partial density, species velocity, and species partial enthalpy.

The mass, momentum and energy balance equations for both fluid and vapor phases and the volume fraction equation are developed using “ensemble averaging” technique. These governing equations can be solved as multi-dimensional form. To economize the solving ability, RELAP-7 uses 1-dimensional, variable cross-sectional area case for pipe, nozzles and other component which have 1-dimensional two-phase flow. This model has been founded to be coupled with a classical 6-equation model, 5-equation Kapila model, 4-equation homogeneous relaxation model (HRM), and 3-equation homogeneous equilibrium model (HEM).

#### **2.4.2 Seven Equation Two-Phase Constitutive Models**

The constitutive model of the 7-equation two-phase flow uses Discrete Equation Method (DEM) in the volume fraction evolution equation, interfacial pressure and velocity, and mechanical relaxation terms involving pressure and velocity relaxation. This method carries pressure and velocity for each phase which is hyperbolic and well-posed, and gives correct wave dynamics. This method is compatible with the second law of thermodynamics, and handles interface conditions in the case of contact/interface problems.

The wall friction model of the two-phase flow is same to that of single-phase duct model with the exception of the wall area over which the shear stress acts is reduced by the fraction of the fluid-vapor at the wall surface area. The friction force between the two phases due to their relative motion is given from the analogy to that of single-phase duct flow. The effective pressure drop model is used to find friction pressure drop in each phase is difference to recover the difference velocity of the both phases.

Without the wall boiling, the direct convection heat transfer from the wall to the fluid phase model is same to that of single phase, except the heat transfer due to the wetted fraction of the phase near the wall area. The direct heat transfer from/to the interface to/from the each phase is modeled similarly.

To analyze inter-phase mass transfer the local mechanism of the vaporization/condensation process are considered in the presence of temperature gradients, which uses mass and energy equations. The momentum equation is not used since the pressure and kinetic energy variations in the total energy equation are neglected, thus, assumed as the quasi-isobaric status. The heat transfer between both liquid and vapor phases are summarized by vaporization and condensation at liquid-vapor interface model.

The RELAP-7 uses Stiffend Gas Equation of State (SGEOS) to model compressible effect by the 7-equation two-phase model. The SGEOS model was build to handle physics and thermodynamics each phases containing physical properties of pure fluids and molecular effects.

#### **2.4.3 Homogeneous Equilibrium Two-Phase Flow Model (HEM)**

The Homogeneous Equilibrium flow Model (HEM) assumes that the relative motion between the phases is neglected. The mixture is treated as a pseudo-fluid which the property is averaged. In the HEM model two-phases in the mixture are assumed to be in thermally and mechanically equilibrium and the pressure in the mixture is equal to the saturation pressure. The governing equations are same to those of the single phase but the variables represents the state of the homogeneous two-phase fluid. For the constitutive models, the HEM uses same wall friction coefficient and convective heat transfer rate. However, both viscosity and thermal conductivity are averaged from two-phase values.



## 2.5 Heat Conduction Modeling Requirements

### 2.5.1 Heat Conduction Model

Heat conduction model of RELAP-7 calculates the 1-D and 2-D temperature distribution in the solid component such as fuel, pipe walls, reactor vessel, steam generator, etc. Generic transient heat conduction equation is used with three different boundary condition options: Dirichlet type for fixed boundary temperature; Neumann type for heat flux boundary condition; and Robin type for convective heat transfer boundary condition.

### 2.5.2 Material Properties

The RELAP-7 can provide thermal conductivity, density and specific heat capacity of  $\text{UO}_2$ , zircaloy and fuel rod gap gas, based on the data of MATPRO. A constant value for given equation parameters are provided for specified temperature range. Arbitrary low and high temperature (5 and 5000K) is included to avoid out-range error.

## 2.6 Requirements for Numerical Methods

### 2.6.1 Spatial Discretization Algorithm

All of governing equations are discretized to vector form to be calculated numerically. The equations are first discretized in space to so-called “semi-discrete” form, then time discretization has been performed to calculate temporal derivatives.

### 2.6.2 Time Integral Methods

The RELAP-7, through MOOSE, supports two standard implicit time integration methods: Backward Euler, which is primarily used in the RELAP-7 and MOOSE; and High-order Backward Differentiation Formula (BDF2). The backward Euler method is first-order A-stable implicit time integration method. In general this method is inherently stabilizing for the hyperbolic equation. The BDF2 is the highest-order implicit method of A-stable grade. The BDF2 however needs two old time steps, thus, the method must be “bootstrapped” by a lower-order method such as backward Euler method when starting.

### 2.6.3 The PCICE Algorithm

The PCICE algorithm defines the temporal discretization and hydrodynamic coupling procedure for the PCICE-FEM scheme spatial discretization. It is advanced semi-implicit, mass-momentum coupled pressure-based scheme. The governing equations of this scheme forms with the explicit predictor step and two semi-implicit pressure-correction steps with the elliptic pressure Poisson solution implicitly coupling the momentum, density, and pressure. This predictor-corrector formulation provides sufficient internal energy information to avoid an iterative scheme.

### 2.6.4 Solution Stabilization Methods

To resolve nonlinearity of the flux functions and others in the case of single- and two-phase equations RELAP-7 uses so-called “entropy condition” to have unique solution, “entropy solution” for solution stabilization. For the numerical scheme this entropy condition and solution may use so-called conservative formulations of the physically descriptive equations along with appropriate specification of

the artificial viscosity, either directly to the governing equations or implied by the discretization employed. Current available options of solution stabilization method in RELAP-7 are: Streamline Upwind/Petrove-Galerkin Method (SUPG); Entropy viscosity method; and Lapidus method.

### 2.6.5 Jacobian-Free Newton Krylov Solver (JFNK)

The RELAP-7 code solves coupled multi-physics problems using JFNK approach via MOOSE framework, which is fully-coupled, multi-level method for solving large non-linear systems. The field equations to be solved are: partial differential equations for one-dimensional fluid flow in the pipe and heat conduction in solid; and ordinary differential equation for zero-dimensional components and point kinetic equations.

## 2.7 Component Model Requirements

RELAP-7 can analyze thermohydraulic behavior of the major components of nuclear reactor system. Three main types of components are used: one-dimensional (1-D) components describing the geometry of the reactor system; zero-dimensional (0-D) components for boundary conditions; and 0-D components for connecting 1-D components.

### 2.7.1 Pipe

The `Pipe` flow can be simulated by 1-D component type. Constant or variable pipe size can be analyzed. The wall friction factor and heat transfer coefficients can be calculated by given models or by user input. The heat transfer boundary condition can be used at the pipe wall. The pipe component model includes isothermal flow, single phase non-isothermal flow, homogeneous equilibrium two-phase flow and seven equation two-phase flows.

### 2.7.2 Pipe with Heat Structure

The `PipeWithHeatStructure` component simulates fluid flow in 1-D pipe coupled with 1-D or 2-D heat conduction through the pipe wall. The adiabatic, Dirchlet and convective boundary condition can be used at the outer surface of the pipe. Plate and cylindrical heat structure can be simulated. Volumetric heat source within the fluid or solid materials can be added.

### 2.7.3 Core Channel

The `CoreChannel` component simulates the coolant flow and heat conduction in the fuel rod and heat transfer to the coolant. The fuel rod is divided into the same number of segment of the coolant flow pipe elements. Fuel rod can be simulated in 1-D or 2-D heat conduction model fully coupled with fluid flow model. Plate and cylindrical type fuel rod can be simulated. Typical LWR fuel rod of clad-gap-fuel pellet geometry can be simulated.

### 2.7.4 Heat Exchanger

The `HeatExchanger` is the combination of two pipes with a solid wall in between. This component simulates fully coupled heat transfer fluid flow model. The steam generator model will be developed in future.

### 2.7.5 Junction/Branch

The `FlowJunction` component simulates pipe junction using Lagrange multiplier based 1-D mortar finite element method.

The `VolumeBranch` is 0-D component simulates joint/junction model considering volume effect based on mass and energy conservation at all connecting components. The friction loss is neglected in this model.

### 2.7.6 Pump

The `Pump` component is 0-D junction component with assumption of quasi-steady state, incompressible flow and 100% of pump efficiency. The pressure boundary condition is needed for upstream pipe and the pressure and total energy boundary conditions are needed for downstream pipe. The pump head can be either given by user or can be calculated. The `Pump` component can also simulate as time dependent junction with given mass flow rate as function of time.

### 2.7.7 Turbine

The `Turbine` component is quasi-steady state 0-D model and uses assumptions of turbine thermal efficiency is constant and non-dimensional mass flow rate is not a function of non-dimensional rotational speed. Using these assumptions the model may avoid equations for rotational movement of the turbine. The RELAP-7 than uses turbine characteristics curve for the momentum. The turbine model finally becomes junction without volume which ignores thermal inertia in the solid structure and fluid. The major physical parameters of the `Turbine` model are: thermal efficiency; nominal mass flow rate; design pressure ratio; and design stagnation inlet temperature and pressure.

### 2.7.8 Separate Dryer

The `SeparateDryer` component simulates both steam separators and moisture dryers of the BWR. The ideal separation model is used in RELAP-7 and mechanistic separator and dryer model will be developed. This component has one inlet and two outlets. Each connection has form loss coefficient due to expansion/contraction, mixing and friction.

### 2.7.9 Down Comer

The `DownComer` component is 0-D model to simulate BWR pressure vessel down comer that connects with feed water pipe, separator dryer discharge, steam dome, and down comer outlet. In general the down comer is filled with vapor at the top and liquid at the bottom to cope with transient situation. In RELAP-7 this model assumes there is no mass and energy exchange between the liquid and vapor in the down comer, and vapor pressure is same as the steam dome. The conservation equation is then only needed for the liquid phase.

### 2.7.10 Valves

The `Valve` component such as check valve is junction type component to simulate open and close action of the valves at low speed nearly incompressible fluid flow between the pipes. The gradual open/close action can be simulated. The valve will open/close by user given trigger time or by trigger event which needs RAVEN code control logic.

### 2.7.11 Compressible Valve Models

The 0-D `CompressibleValveModel` can simulate high speed compressible flow model for passive/active safety/relief valves. The RELAP-7 can analyze steam/gas release situation. The pressure boundary condition is needed for upstream pipe, and momentum and total enthalpy boundary conditions are needed for downstream pipe. The choking will happened whenever the valve is opened.

### **2.7.12 Wet Well Model**

The BWR suppression chamber can be simulated by 0-D `WetWell` component during the slow transient such as station black-out situation. The assumptions of the model are: the suppression pool is well mixed; ignore the kinetic energy in liquid and gas area; no-mass transfer between the liquid and gas; gas area is filled with 100% of nitrogen; rectangular geometry; and no steam venting from dry well to the suppression pool. To simulate LOCA, mass and energy conservation equation for both liquid and gas and equation of water level assuming that gas area pressure is same.

### **2.7.13 Time Dependent Volume**

The `TimeDependentVolume` is 0-D component that provides the time dependent pressure and temperature boundary condition to connected 1-D component. This component provides pressure, temperature and void volume fraction boundary conditions, either constant or varying values.

### **2.7.14 Time Dependent Junction**

The `TimeDependentJunction` component provides velocity or mass flow rate boundary condition. This component needs temperature and void volume.

### **2.7.15 Sub-Channel**

The `SubChannel` component is single-phase flow model to simulate sub-channels in the reactor system. The model uses mass, energy, axial moment, and lateral momentum conservation equations.

### **2.7.16 Reactor**

The `Reactor` component can provide steady-state or decay heat reactor power or heat source for `CoreChannel` model.

### **2.7.17 Pressurizer**

The `Pressurizer` component simulates pressurizer dynamic behaviors with a 3-zone model. This component model is under development.

## **2.8 Reactor Kinetics Model Requirements**

Two options of reactor kinetics are available to simulate transient behavior of the reactor in RELAP-7: the point kinetics model; and multi-dimensional neutron kinetics model which is under development coupled with MOOSE/RattleSnake code. This model can simulate both fission power from prompt and delayed neutrons, and decay power from fission products.

### **2.8.1 Point Kinetics Equations**

In the point kinetics model, the power is computed using the space-independent or point kinetics approximation which assumes that power can be separated into space and time functions. The equation includes power from the fission including kinetic energy of the fission product and power from neutron moderation.

### **2.8.2 Fission Product Decay Model**

The user can select decay power model based on the RELAP-7 exact implementation of the 1979 ANSI/ANS Standard, 1994 ANSI/ANS Standard or 2005 ANSI/ANS Standard. The data for all standards are built into the code as default data. User may enter different data as well.

### **2.8.3 Actinide Decay Model**

The actinide decay model describes the production of U-239, Np-239 and Pu-239 from neutron captured by U-239. The generation rates can be user-specified, or selected from the 1979, 1994 or 2005 ANS Standards.

### **2.8.4 Transformation of Equations for Solution**

The point kinetics equations, fission products decay equations and actinide decay equations are transformed into differential equations to be solved.

### **2.8.5 Reactivity Feedback Model**

The separable model of RELAP5 is used in RELAP-7 to model reactivity feedback. The model assumes non-linear feedback effects from moderator density and fuel temperature changes and linear feedback from moderator and fuel temperature changes. The boron feedback is not provided.

### 3. Interface Requirements Specification

#### 3.1 Introduction

The interface requirements specification of the RELAP-7 is based on text base input file. As shown in Figure 2, the text base input needs [Block] and [] to indicate start and end of operator block. The syntax in the block needs “Required” and “Optional” parameters. Some of syntax has given “Default” parameters. The operator block starts with [./Operator] and ends with [./]. The input parameters should be located between the operator block. “#” symbol indicates comment of the input file and can be located at middle of the input card.

```
[GlobalParams]
# 2=2 eqn, 1D isothermal flow
# 3=3 eqn, 1D non-isothermal flow
# 7=7 eqn, 1D 2-phase flow
model_type = 2
gravity = '0 0 0'

scaling_factor_var = '1. 1e-4'

stabilization_type = 'NONE'
[]

[EoS]
[./barotropic]
type = BarotropicEquationOfState
a2 = 1. e7
rho_0 = 1000 # kg/m^3
p_0 = 1. e5 # Pa
[./]
[]
```

Figure 2 Example of RELAP-7 input file (part of simple flow 2 equation model)

The RELAP-7 input syntax basically uses word oriented syntax. The details of the input parameters are shown in Appendix A.

#### 3.2 Single and Two-Phase Thermal Fluid Modeling Interface Requirements

The GlobalParams block identifies single and two-phase thermal fluid model. This block is required for all type of RELAP-7 problem solving. The main parameters of the GlobalParams block includes: initial conditions; heat exchange coefficient; model type to use (2, 3 and 7 equation models); scaling factors; stabilization coefficients; relaxation factors; mass transfer option; and etc.

### 3.3 Equation of State Interface Requirements

The `EOS` block defines equations of state of the material in the RELAP-7. The main equations of state are: barotropic equation of state; isentropic stiffened gas equation of state; linear equation of state; stiffened gas equation of state; and ideal gas equation of state.

### 3.4 Material Properties Modeling Interface Requirements

The `Materials` block defines all material properties and characteristics used in the RELAP-7 input file.

### 3.5 Numerical Methods Interface Requirements

The `Preconditioning` block defines preconditioning options and numerical solver of the RELAP-7. The default is Physics Based Preconditioner (PBP). Single Matrix Preconditioner (SMP), Single Based Preconditioner (SBP) and Finite Difference Preconditioner (FDP) options are possible. The default solver type is Preconditioned JFNK (PFJNK) and Newton type is the optional choice. The PETSc options can be defined.

The `Executioner` block defines numerical discretization scheme and time stepping for “Steady” or “Transient” problem type. The default scheme is “BDF2” and for the “Transient” case the “implicit-euler” scheme is used.

### 3.6 Component Model Interface Requirements

The component model of the reactor system interface requirements are given in the `Components` block syntax. The `Components` block is required field in the RELAP-7 input file. Table 6 shows type of component and its corresponding blocks.

### 3.7 Reactor Kinetics Interface Requirements

The point kinetics model is defined by `PointKinetics` block. The main parameters of the `PointKinetics` block include: ANS Standards options; fission characteristics; fission energy; reactivity feedbacks; etc.

### 3.8 Control, Output, Post-processing, Debugging Interface Requirements

The input file controls, output configuration, post-processing and debugging syntaxes are given by Table 7.

Table 6 Type of components and corresponding blocks

Component	Block name
Pipe	Pipe
Pipe with heat structure	PipeWithHeatStructure
Reactor core and core channel	CoreChannel
Heat exchanger	HeatExchanger
Junction & Branch	Branch, DGFlowJunction, FlowJunction, PipeToPipeJunction, SubchannelBranch, VolumeBranch
Pump	IdealPump, Pump
Turbine	Turbine
Separate dryer	SeparatorDryer
Down comer	DownComer
Valves	Valve, CheckValve, CompressibleValve
Wet well	WetWell
Time dependent volume	TimeDependentVolume
Time dependent junction	TimeDependentJunction
Sub-channel	Subchannel
Reactor	Reactor
Component boundary conditions	Inlet, Outlet, SolidWall, TDM

Table 7 Blocks of control, output, post-processing and debugging

Definition	Block name
Identify input file to be controlled	Controlled
Error debugging options	Debug
Monitoring value during simulation	Monitored
Output format and options	Outputs
Post-processing options (Required)	Postprocessors
Option to use control logics	Auxiliary

### 3.9 Function

The user can evaluate analytic expressions based on time and space functions using the Functions block. The user can define the “name” of function which will be called in other block of the



input file. For example the generic boundary conditions, initial conditions, material properties, etc can be set by the function of time and space to solve complex problems.

## 4. Design Specification

### 4.1 Introduction

Currently, the PRA analysis code Risk Analysis and Virtual Control Environment (RAVEN) can be used for RELAP-7 Graphical User Interface (GUI). The RAVEN code has been developed to analyze probabilistic problems of nuclear reactor system safety which supports PRA analysis under the Characterization (RISMC) project of the Light Water Reactors Sustainability (LWRS) campaign. The RISMC simulation needs and algorithm testing are currently used as a guidance to prioritize RAVEN developments relevant to PRA. The RAVEN GUI for RELAP-7 is based on Peacock, a general GUI for MOOSE applications using VTKs libraries.

### 4.2 Peacock

Peacock is a graphical front end for the MOOSE input file syntax. Peacock allows the user to build or modify an input file, execute the application and view the results all within one package. This program is built using PyQt and Mac, Linux and Windows system compatible.

#### 4.2.1 Input File Editor

Figure 3 show the “Input File Tab” which allows Create/Open/Edit/Save any MOOSE-based application’s input file.

The available input file syntax in current application is shown in the “Tree” on the left side of the tab. The “Tree” syntax can be expand/contract to edit belonging parameters. The syntax can be edited by “Parameter editor”. The parameters in blue color can be right-clicked to bring up a menu where user can "Add" user specification to that part of the input file. The parameters in black color can be “double-clicked” to edit. The “Tree” parameters can be activate/deactivate by check/uncheck the checkbox next to it. Deactivating whole sections will remove that section from the input file. To delete an item, "Delete" option in the popup menu when right clicking.

The designed mesh will appear at “Input File Tab” when using application supports 2D or 3D mesh input. User can rotate (left button drag), pan (middle button drag or hold shift and left button drag) and zoom (right button drag) to view the mesh. User can turn on and off the drawing of the mesh itself (i.e. the element edges).

To highlight the part of the mesh, user can select block, side-set, or node-set in the drop-box located below the 3D window, and that region will turn into red color in the 3D view and all other geometry will go into wireframe mode. The "Clear" button will clear the highlighting selection. The part of mesh will also be highlighted when select items in the “Tree View”. For example, if user selects a `BoundaryCondition`, the side-set or node-set where that boundary condition will be applied will be automatically highlighted in the 3D window. The same applies to any item that is restricted to a particular "block" of the mesh.

The “Clipping” will move a plane through the mesh and slicing through it to allow user to see inside of the mesh.

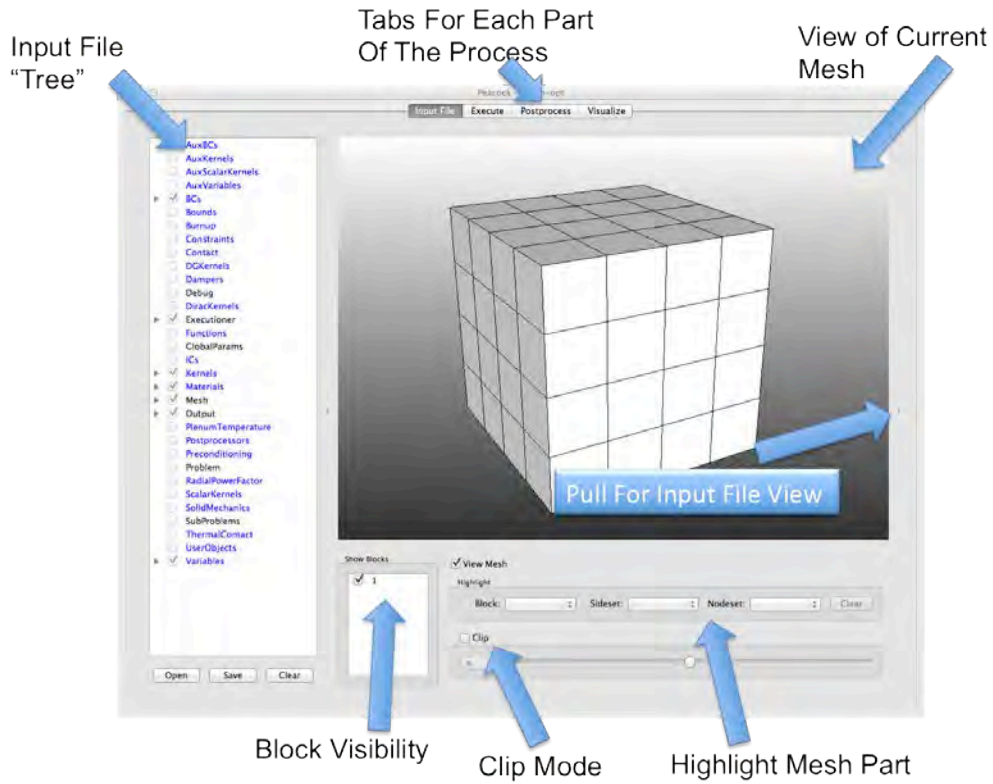


Figure 3 Input File Tab

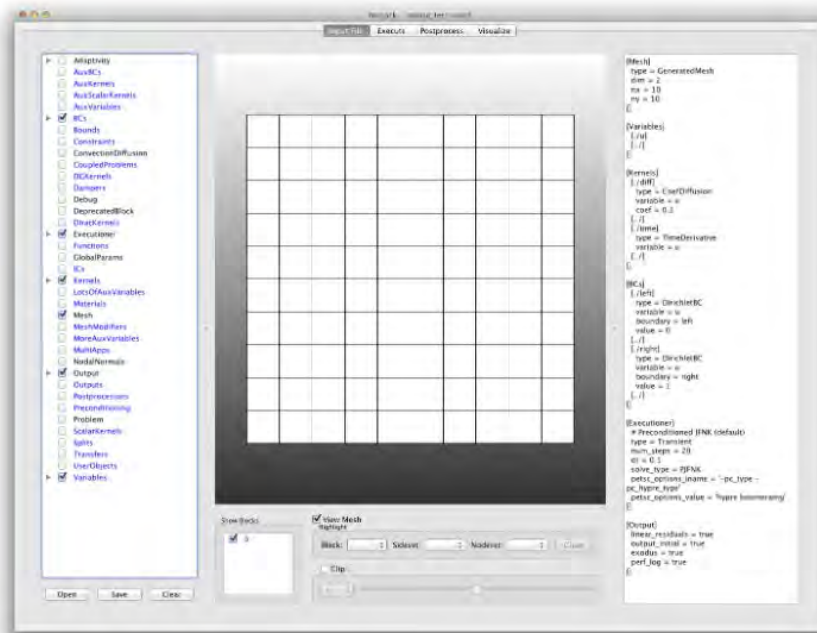


Figure 4 Input File Tab with text-based input

To view the actual text-based input file generated by the current status of the Tree View, use can grab the slider that is on the extreme right side of the window and pull it to the left to uncover the Input File View, than the “Input File Tab” will show like Figure 4. However, user cannot edit text-based input. This will only help user to reflect the choices in the Tree View.

#### 4.2.2 Parameter Editor

The “Tree View” parameters can be edited by double-click to edit an item or right-click and click “Add...”, than “Parameter Editor” window will appear. As shown in Figure 5, the “Parameter Editor” allows user to choose what type of item to be added and edit the parameters for that object.

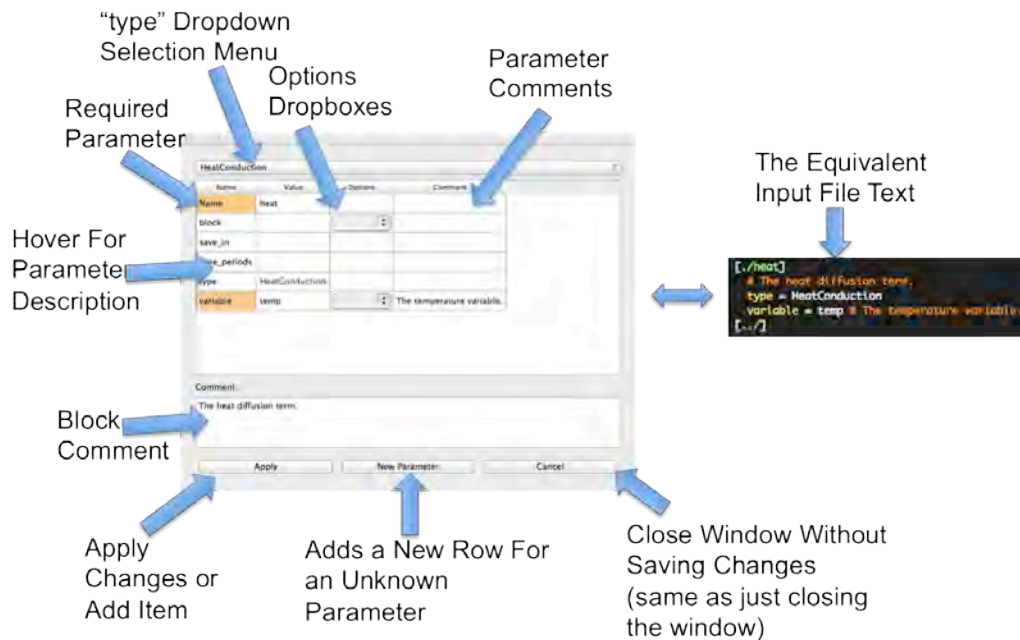


Figure 5 Peacock - Parameter Editor

The user first has to select the type of the object to be edited using “Type Selection Menu” which will show large drop-down menu at the top to select the type of object you are editing. If no option is available than “\*” will be presented.

The “Parameter Table” needs Name, Value, Options, Description and any Comments associated with each parameter. The name of the parameter is shown in “Name” which is “Required” value. Note that the “Required” parameter is colored orange in the table. The “Value” is for parameter value, and initially filled with the default value. The Boolean parameters such as “True/False” can be selected by drop box. The “Options” is to select available option of such parameter. For example, “FileName” will show “Open File” option. If the parameter is vector type the “Option” will be added to the “Value” column, while non-vector type will overwrite the “Value” column. The “Comment” will add comment in the input file. Any text written in the “Block Comment” will be considered as comment, The “newlines” can be used for a large multi-line comment. For both “Comment” and “Block Comment”, the “#” will be inserted automatically in the input files. The “Apply/Add” button will apply changes or add new items in the parameter table. The “New Parameter” button will add a row to the “Parameter Table” with all cells

editable. User can fill in the “Name” and “Value” in this new row to add a new parameter. The “Cancel” button will close window without saving any changes.

### 4.2.3 Execute Tab

Shown in Figure 6, the “Execute Tab” allows user to run the current application with the input from the “Input File Tab” by clicking “Run” button. Selecting “MPI and Threads” option makes user can run in parallel. The Comma Separated Value (CSV) file will be automatically generated to support post-processing. Log Box. The “Kill” button will stop running job. The “Log Box” is output from the running application. The running log can be saved as well.

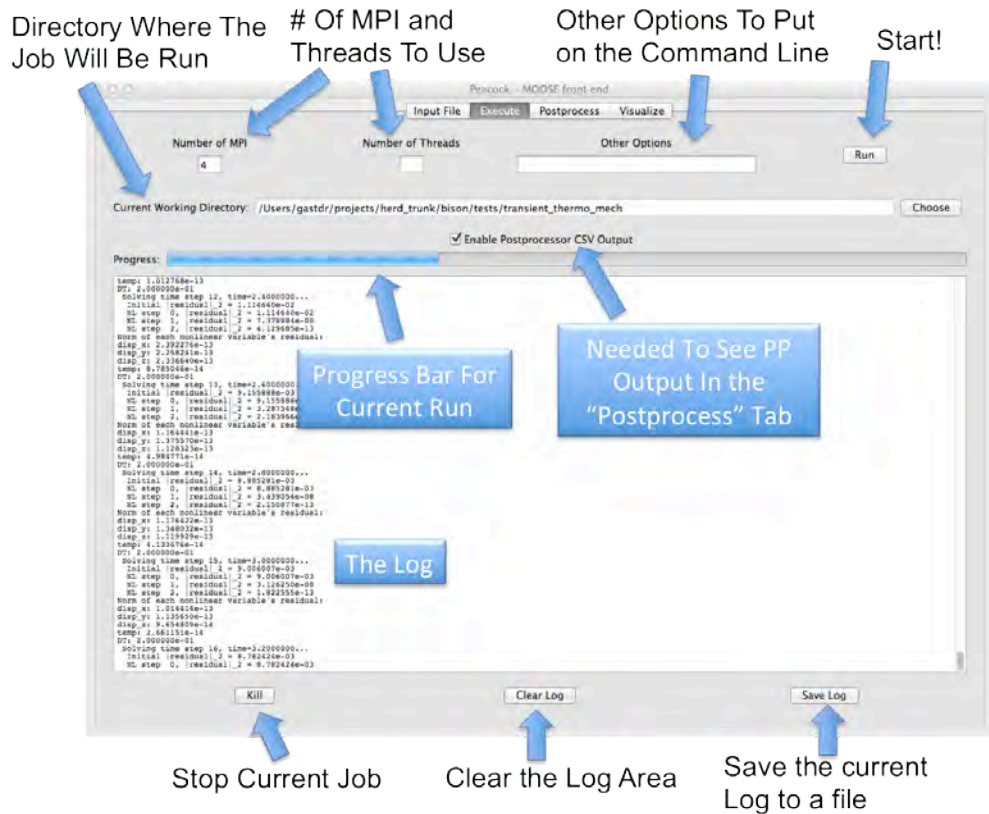


Figure 6 Peacock - Execute Tab

### 4.2.4 Post-process Tab

Figure 7 shows “Postprocess Tab”. This tab allows user to plot postprocessor values. The values can be plot during the code is running and automatically updated as new data is produced. The large dropdown at the top contains a list of all of the currently available postprocessors. The plot will update automatically during the running. The right-click on the plot will show available options. The “Clear” button will clear out all of the current plots.

Select a Postprocessor to  
Have Its Plot Added To The  
Window

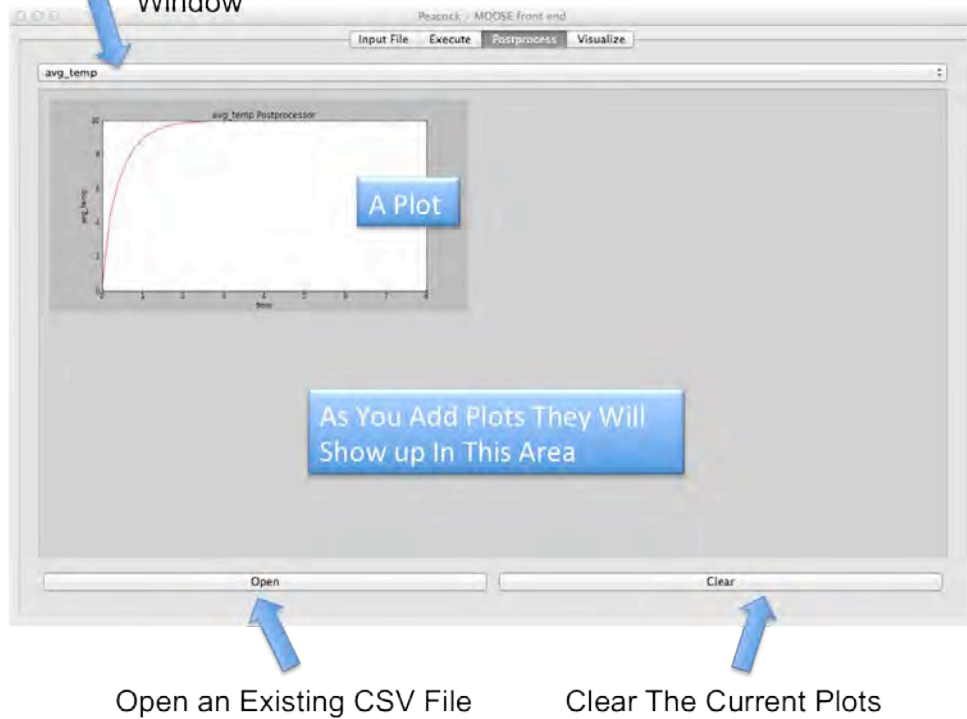


Figure 7 Peacock - Post-process Tab

#### 4.2.5 Visualize Tab

The “Visualize Tab” is to see result with 2D or 3D diagrams (see Figure 8). Similar to “Post-process Tab”, the “Visualize Tab” can also allow user to see the result diagram during the running. The “Result View” shows 2D or 3D view of the result. Left-click and drag will rotate the result. Right-click and drag is to zoom. Middle-click and drag or Shift+Left-click is to pan. Check or uncheck “Show Block” will show up or not in the “Result View”. The “Contour” option will color the result by a variable. The range of legend can be adjusted by “Min/Max” selections. The vector (and displacement vector) values can also be shown in “Visualize Tab”. The “View Mesh” button is to view/un-view the mesh. The “Reset View” will re-center the diagram in the “Result View”. The “Time” box allows selection of which timestep to view. This option allows make move time back and forth or jump to particular time step. The “VCR Controls” is to step through the timesteps and move to the beginning or the end. The “Play” button will go through all of the timesteps. The “Loop” button will start play over again with the first timestep when the end is reached. The “Clip Mode” will show the “Inside” of the result. The slider will move the “Clip plane” back and forth through the model.

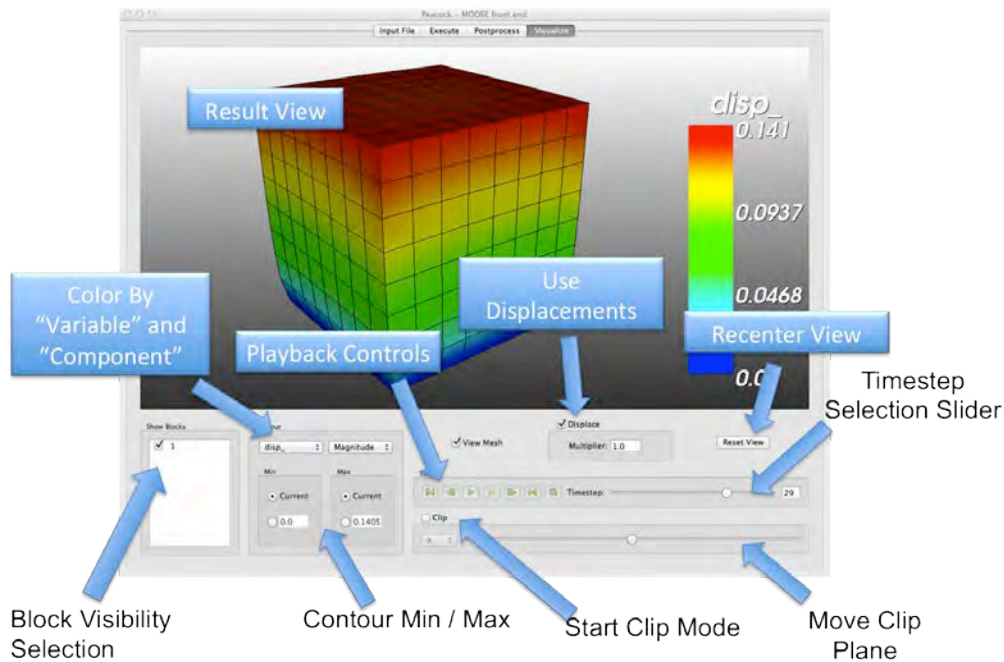


Figure 8 Peacock - Visualize Tab

### 4.3 RAVEN GUI for RELAP-7 using Peacock

Using RAVEN code coupling with Peacock, the RELAP-7 GUI can be worked. This will feature full 3D visualization of the plant layout, consistency check of the input, online monitoring, full solution field, all plant state variables, and capability to construct derivative and integral signals.

In addition to components the RAVEN GUI for RELAP-7 supports:

- Equation of state selection and parameters input (EoS)
- Solution algorithms controls (Executioner)
- General utility functions (e.g. reactivity feedback, cosine, etc) that could be used in different components (functions)
- Global physical parameters defining the simulation (e.g. initial fluid status)
- Output controls (files, data detail etc)
- Control logic related input

Every component of the plant is a C++ class (object) registered in the MOOSE platform. The RAVEN also uses this approach for any other C++ classes describing control logic actions. Through Application Programming Interfaces (API)s, Peacock can be specialized for both RELAP-7 and RAVEN so that it is able to build a visual model of the components immediately after the user generates them.



Figure 9 shows Input/Plant Layout visualization tab using RAVEN/Peacock. The list of the possible objects that could be added to the simulation input is on the left. On the right side the sub-tabs allowing the construction of a specific component are shown. On the top and the bottom of the 3D layout there are several functions that allow searching for specific components and manipulating the view. To ease the inspection of the plant layout, the 3D visualization is active and visually searchable. Clicking on one of the components will open a corresponding property tab.

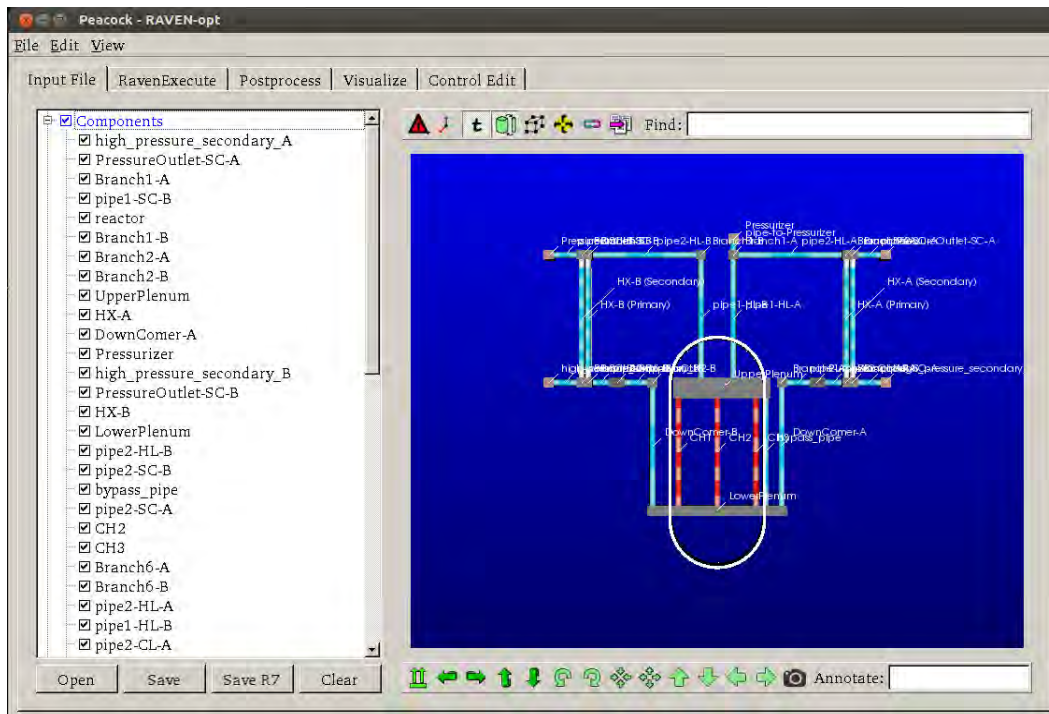


Figure 9 RELAP-7 input by PEACOCK/RAVEN

Figure 10 and 11 shows the projection of the solution field for the pressure into the plant layout during a transient analysis.



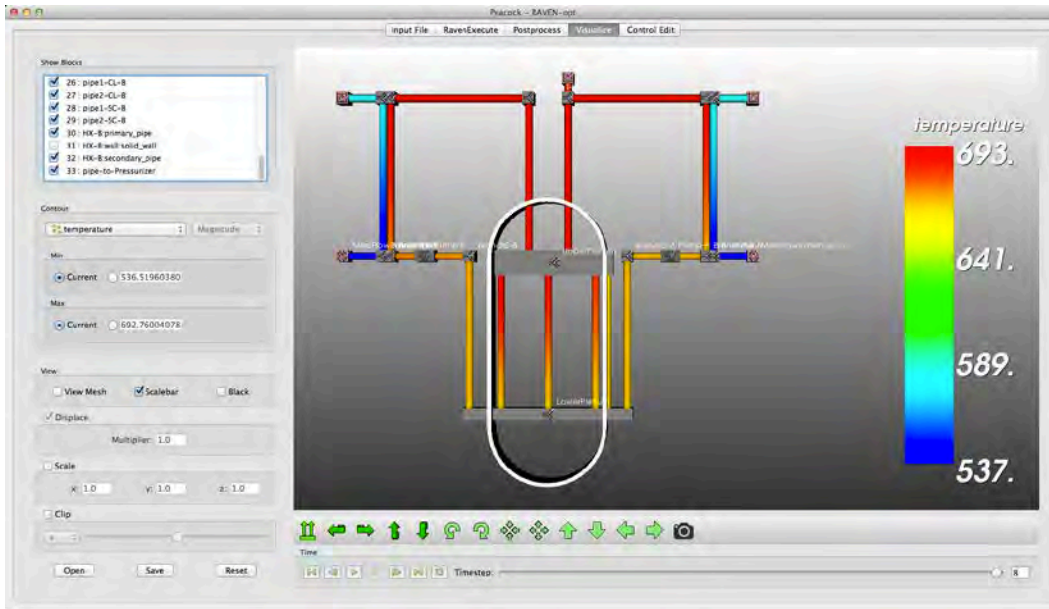


Figure 10 Online monitoring during the simulation

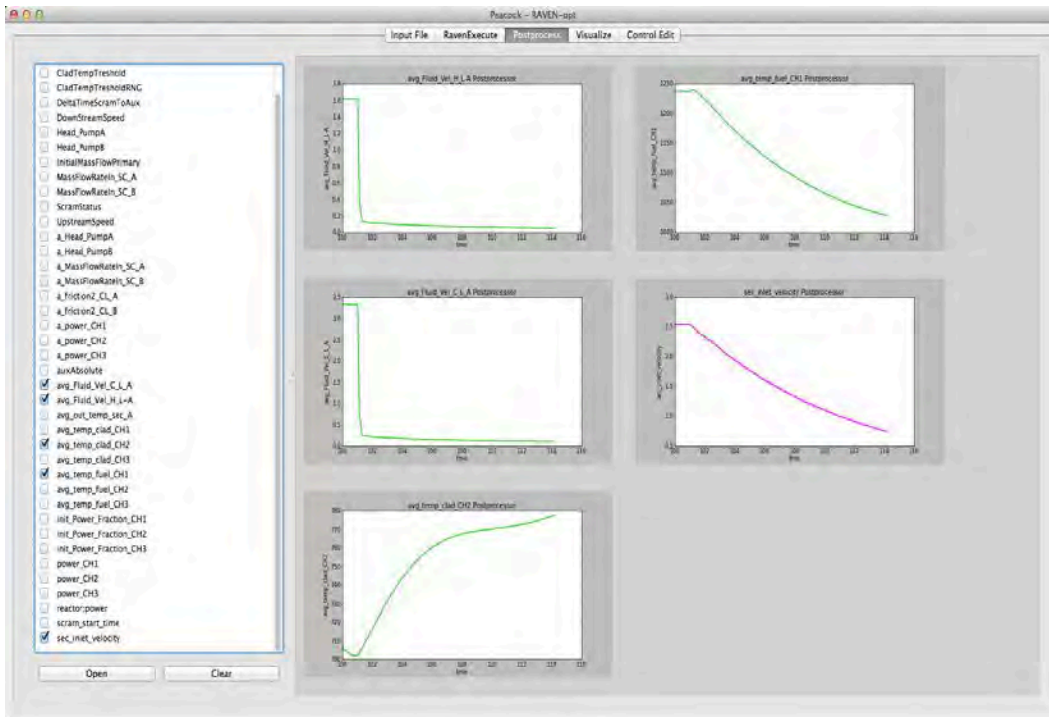


Figure 11 Online monitoring of variables

## 5. V&V Approach

### 5.1 Introduction

The Verification and Validation (V&V) approach of RELAP-7 will be limited to the “stand-alone” RELAP-7 capability which does not coupled with complex multiphysics phenomena. The coupling of different tools will need new level of V&V and will not be addressed in this document. The basic V&V plan of RELAP-7 will follow existing industrial standards such as guideline for V&V in CFD, and to the nuclear industry references.

### 5.2 Scope of V&V Approach

The RELAP-7 code is designed to simulate the transient behaviors of reactor system under normal and accident conditions. This code is expected to meet the requirements from industrial users to support their commercial decisions on the long-term operations of current US nuclear power plants. The corresponding V&V activities will be performed to ensure the capabilities and meet the expectations. All future V&V activities will be planned to meet the users’ requirement. Users also have specific requirement on V&V activities based on their own experiences, which will also be incorporated into RELAP-7 V&V plans.

RELAP-7 development team identified following assessment activities should be performed:

- Sub-cooled single-phase assessment
- Two-Phase separate effects assessment
- Component performance assessment
- Integral system effects assessment
- 2D and 3D test assessment
- Plant test/event assessment
- Design/Event specific assessment

#### 5.2.1 Identify Nuclear Power Plants (NPP) and Scenarios

The V&V activities will be limited to the pressurized water reactor (PWR) designs and boiling water reactor (BWR) designs currently operating in the US. If possible, it is also rational to select particular nuclear power plants for the V&V activities, such as SFR or experimental reactors.

Identification of the scenario that users have interest is needed. Every accident scenario will have different safety related components and different thermal-hydraulic behavior.

#### 5.2.2 Identify and Rank Key Phenomena

Once NPP type and scenarios are identified, key phenomena/processes (together with associated components) that are important to these particular plant and scenarios need to be identified and ranked. It will be ineffective to consider entire physical phenomena in particular scenario, thus, key phenomena have to be correctly captured to provide a sufficiently accurate simulation. The phenomena identification and ranking process could be done by constructing Phenomena Identification and Ranking Tables (PIRT).

### 5.2.3 Identify Capabilities and Gaps

The RELAP-7 code is still under development and the V&V strategy plan could be the guideline for the RELAP-7 code enhancement and identification of the gap between the need and capabilities. The V&V for RELAP-7 could be than an integrated approach along with the RELAP-7 code development. It, however, has to be noted that RELAP-7 V&V will be performed with its own guidelines and plans.

### 5.2.4 Identify Data Availability and Needs

Existing data from the various experiments will be identified and selected to support the RELAP-7 V&V activities. Assessment matrices will be built to help better understanding of existing data for V&V needs. Additional test data could be needed for the RELAP-7 V&V activities. The assessment matrices will also provide guidelines to propose new experimental tests for validation purpose.

## 5.3 RELAP-7 V&V Plan

RELAP-7 development team suggested following V&V activities, which the first work will strat in FY15. The RELAP-7 V&V activities will be separately performed from the code development activities to ensure the quality of code and to meet the requirement.

### 5.3.1 Measureable Metric Matrix

A measurable metric matrix will be developed to quantify V&V activities in terms of percentages. This process will help define work scopes, measure the completeness of work proposed, and compare the V&V levels of different similar codes.

### 5.3.2 Multi-phase approach

Two phases approach will be performed: Phase 1 covers verification works; and Phase 2 covers validation works. Phase 1 will be first performed and followed by Phase 2.

The verification of RELAP-7 will include the fundamental tests if the proposed models (field equations) and numerical schemes are correctly implemented. This stage will help debugging and improving the code.

The validation work for the RELAP-7 code will focus on the capability of analyzing both single-phase and two-phase flow model for reactor safety analysis. Validation work will be done for fundamental phenomenological problems, intermediate separate effects tests, and complex integral effect tests. Safety related physics, such as heat conduction and neutronics calculation, study will be covered.

Five measurable metrics are suggested as follows:

#### *Metric 1: Code verification on numerical method*

- Code verification using manufactured solutions
  - Single-phase flow
  - Heat conduction
- Grid convergence study using manufactured solutions
  - Continuous FEM on fluid flow problems
  - Continuous FEM on heat conduction problems
- Grid convergence study on stabilization schemes

- SUPG scheme
- Lapidus scheme
- Entropy based viscosity scheme
- Time step convergence study using manufactured solutions
  - Backward Euler
  - Crank-Nicolson
  - BDF2
- Conservation laws in 0-dimensional components
  - Branches/Junctions
  - PWR specific components (steam generator and pressurizer as examples)
  - BWR specific components (steam separator and jet pump as examples)
- System level conservation laws

***Metric 2: Code verification on software design***

- Code review process
- Regression test and code coverage test
  - General coverage test design
  - Extreme conditions test design

***Metric 3: Code validation using phenomenological tests***

- Single-phase phenomenological tests
  - Shock problems
  - Pipe + Branch system
  - Pipe network
- Two-phase flow phenomenological tests
  - Water faucet problem
  - Water over steam problem
  - Fill-drain problem
  - Manometer problem
  - Gravity wave problem
  - Two-phase shock problems

***Metric 4: Code validation using separate effect tests***

- Single-phase flow separate effect tests
  - Wall friction
  - Single-phase heat transfer
  - Water hammer
  - Natural circulation
- Two-phase flow separate effect tests
  - Two-phase wall friction
  - Interfacial friction
  - Boiling heat transfer
  - Critical flow and blowdown
  - Level tracking
  - CHF and post-CHF
  - Reflooding
  - Counter-current flow

- Single component test
  - PWR specific component tests
  - BWR specific component tests

**Metric 5: Code validation using integral effect tests**

- Single-phase integral effect tests
  - Natural circulation
- Two-phase integral effect tests
  - Full Integral Simulation Test (FIST) SBO test benchmark
  - LOFT tests
  - Semi-scale natural circulation tests

12. Above metrics will be quantified by the RELAP-7 V&V paradigm is suggested as shown in Figure

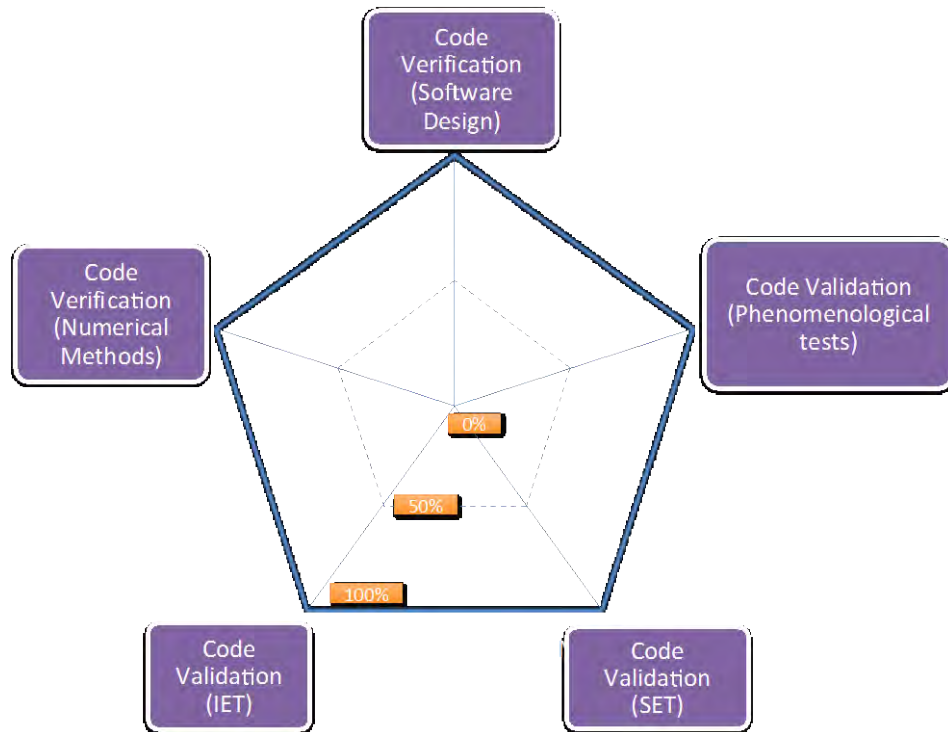


Figure 12 RELAP-7 V&V paradigm for 5 suggested metrics (Integral Effect Test (IFT) and Separate Effect Tests (SET))

## 6. Test Specification and Methodologies

### 6.1 Automated Testing

The RELAP-7 code regression testing currently provides automated testing of a total of 154 example files representing basic thermal-hydraulic models, equation of state, component and simple loop. The main purpose of the automated testing is to check error of the program installation. RELAP-7 test specification and tested models are listed in Table 8.

Table 8 List of models tested

Test specification	Tested models
Thermo-hydraulic fluid flow model	2 Equation model 3 Equation model 7 Equation model Heat transfer Decay heat Equation of state Homogeneous Equilibrium Model (HEM) Stabilization Wall friction
Components	Core channel Flow junction Pump Wet well Sub channel Point kinetics Volume branch Pipe to pie junction Solid wall Time Dependent Volume (TDV) Branch Down comer Simple loop with pipe Simple junction Heat exchanger Separator dryer Inlet and outlet Turbine Pipe with heat structure Valve
Other	Simple natural circulation loop Restart test Error checking Adapt system (TMI 2 loop) Displaced components Control logic

Once the RELAP-7 is installed, user can check the program installation status by using “run\_tests” executable file. This file will automatically run installed RELAP-7 examples. If the program is well installed all of testing files should be run without error and will show “OK” when each file was executed (see Figure 13). The script of “run\_tests” is shown in Appendix B. In this test a total of 140 tests were passed, 14 were skipped, and no failures were found.

```
model /2eqn. test. .... OK
model /heat_transfer. heat_exchanger_simpl e_sodi um .
..... ski pped (Jacobi an revi ew)
model /heat_transfer. pi pe_gas. .... OK
model /heat_transfer. pi pe_si mpl e_water. .... OK
model /heat_transfer. core_channel_si mpl e_water. .... OK
model /3eqn. nodal_bcs. .... ski pped (di sabl ed)
model /3eqn. shock_capturi ng. .... ski pped (joi nt component does not play
well wi th SC)
```

Figure 13 Screenshot of “run\_tests” (shows only first 4 tests)

Once a test is finished, the following message will be shown (Figure 14).

```
Ran 140 tests in 382.9 seconds
140 passed 14 ski pped 0 pendi ng 0 fail ed
```

Figure 14 Screenshot of conclusion of “run\_tests”

The result of current test is shown in Appendix C.

## 6.2 RELAP-5 Case Studies

Since 2012, four case studies have been performed by each version of RELAP-7. The work has been chosen to demonstrate major physical phenomena developed in each version of RELAP-7 works properly.

- Demonstration of a steady state single phase PWR simulation with RELAP-7 (2012) (INL/EXT-12-25924)
- Simulation Resolving an SBO Scenario on a Simplified Geometry of a BWR (2013) (INL/EXT-13-29887)
- Demonstrating Seven-Equation, Two-Phase Flow Simulation in a Single-Pipe, Two-Phase Reactor Core and Steam Separator/Dryer (2013) (INL/EXT-13-28750)
- Refined BWR SBO Scenario (planned)

### 6.2.1 Demonstration of a steady state single phase PWR simulation with RELAP-7

This program is to demonstrate single-phase steady-state normal reactor operation. The demonstration PWR, simplified model problem was based upon the parameters specified in the OECD Main Steam-Line Break (MSLB) benchmark problem. The reference design for the OECD/NEA MSLB benchmark problem is derived from the reactor geometry and operational data of the TMI-1 Nuclear Power Plant (NPP), which is a 2772 MW two loop pressurized water reactor.

Figure 15 shows the schematics of the PWR model problem to be analyzed with RELAP-7. The reactor vessel model consists of the Downcomers, the Lower Plenum, the Reactor Core Model and the Upper Plenum. Parallel flow channels along with heat structures were used to describe the reactor core. Each flow channel and associated heat structure may represent one or thousands of real cooling channels and fuel rods. In this demonstration simulation, the core model consists of three parallel Core Channels (flow channels with heat structure attached to each of them) and one bypass flow channel. The hot core channel represents the inner relatively hotter zone of the reactor core. The average channel represents the mid zone of the core and the cold channel represents the outer zone of the core, respectively. The Lower Plenum and Upper Plenum are modeled with Branch models. There are two primary loops in this model – Loop A and Loop B. Each loop consists of the Hot Leg, a Heat Exchanger and its secondary side pipes, the Cold Leg and a primary Pump. A Pressurizer is attached to the Loop-A piping system to control the system pressure. A complex Pressurizer model has not been implemented in the current version of RELAP-7 code. A Time Dependent Volume component is used to represent the Pressurizer. Since the RELAP-7 code does not have the two-phase flow capability yet, single-phase counter current heat exchanger models are implemented to mimic the function of steam generators to transfer heat from the primary side to the secondary side.

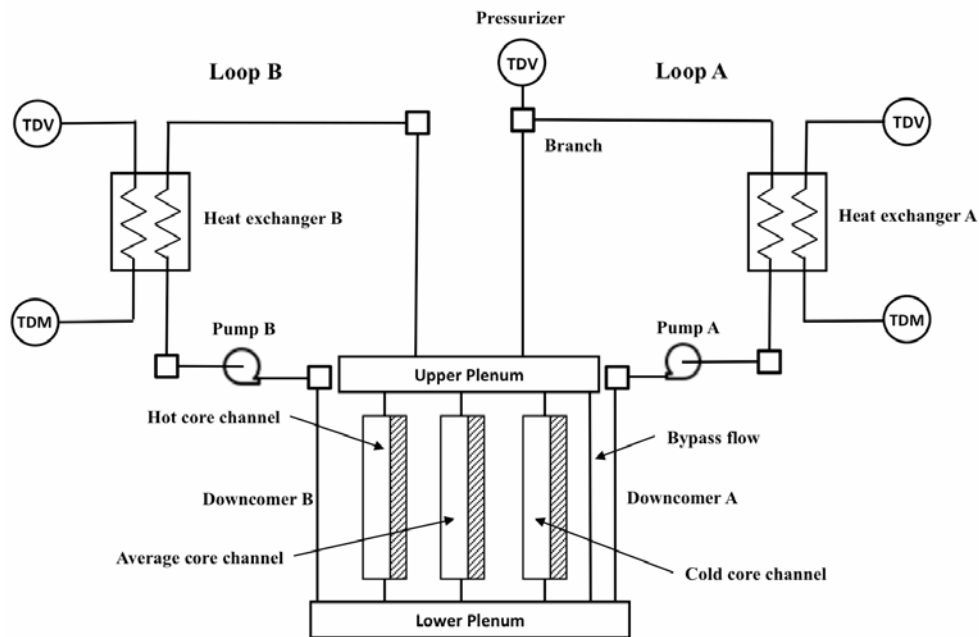


Figure 15 Schematics of simplified PWR problem

The reactor consists of 177 fuel assemblies and 64 water reflectors. The core is subdivided as zone 1, 2 and 3. The 45 assemblies in zone 1 are grouped together as the hot core channel in the RELAP-7 core flow and heat transfer calculations. The 60 assemblies in zone 2 and 72 assemblies in zone 3 are grouped



together as the average core channel and the cold core channel respectively. The reactor is assumed to be at end of cycle (EOC), 650 EFPD (24.58 GWd/MT average core exposure), with a boron concentration of 5 ppm, and equilibrium Xe and Sm concentration.

Simulation results were comparable with data provided in the OECD/NEA reference, in terms of energy conservation. The temperature differences between simulation results and data are in the order of 0.1 K.

### 6.2.2 Simulation Resolving an SBO Scenario on a Simplified Geometry of a BWR

This work demonstrates physical components with two-phase flow capability which is to support the simplified boiling water reactor (BWR) station blackout analyses. The selected case is one of international benchmark program of the OECD/NEA for BWR turbine trip analysis. The reference design for the benchmark problem was from the Peach Bottom-2 nuclear station, which is a General Electric BWR-4 design (Figure 16). The demonstration case includes the major components for the primary system of a BWR, as well as the safety system components for reactor core isolation cooling (RCIC) and the wet well of a BWR containment. The case was initially run to steady-state with RELAP-7. The station blackout transient simulations were subsequently initiated by using the INL-developed RAVEN code. Two scenarios for the station blackout simulations have been considered.

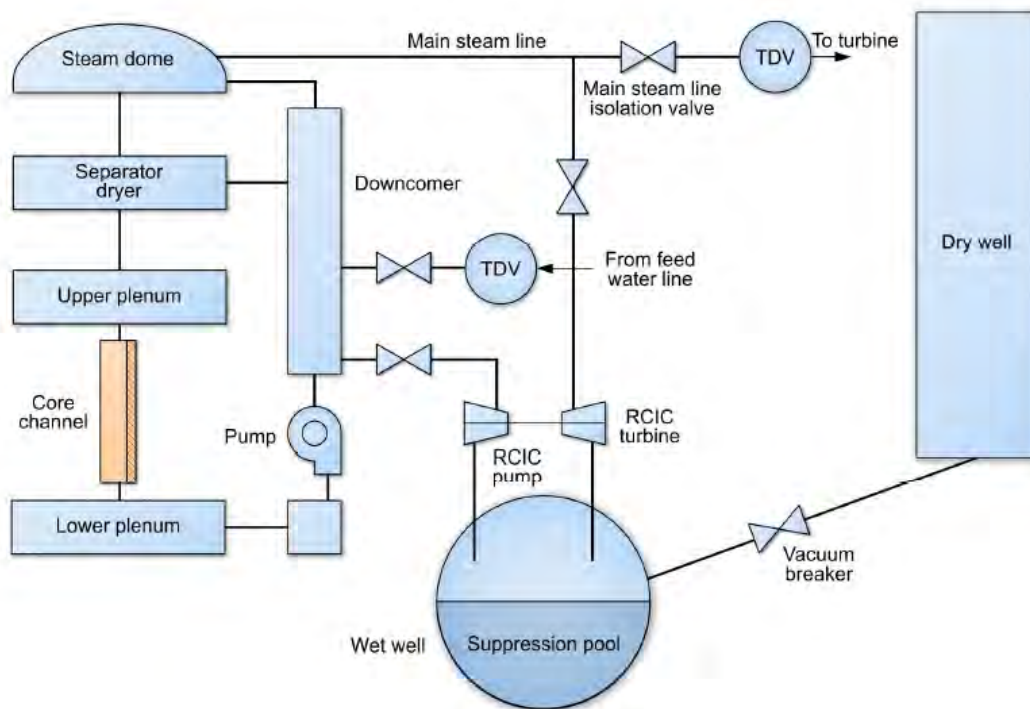


Figure 16 Schematics of a BWR system

Scenario I represents an extreme station blackout accident with no safety injection functioning. The reactor core could experience dry out fairly quickly with this scenario. Scenario II represents a more probable station blackout accident progression with the RCIC system functioning. In this scenario, the RCIC system is fully coupled with the reactor primary system and the safety injection to provide makeup cooling water to the reactor core from the suppression pool is dynamically simulated. With the RCIC system functioning, the core dry out is significantly postponed when compared to the results from

Scenario I. This fully coupled RCIC system simulation capability represents the first-of-a-kind simulation capability. Sensitivity studies have also been carried out to study the effect of RCIC control strategy with varying core makeup cooling water mass flow rates.

The RELAP-7 input files were built for both scenarios and the cases were first run such that the plant system reaches steady state with a rated thermal power of 3,293 MW. Subsequently, the restart cases were run to perform the transient simulations of the SBO scenarios. Reactor scram was assumed to occur at SBO initiation. Therefore, the heating source comes from the decay heat of the fuel in the reactor core.

The results of the simulation are in good agreement with the benchmark reference. From this demonstration case study the RELAP-7 development team identified future improvements such as: implementation of steam properties of International Association for the Properties of Water and Steam (IAPWS); develop stabilization method to support two-phase flow modeling; and improve of seven-equation, two-phase model for realistic simulation of BWR SBO.

### **6.2.3 Demonstrating Seven-Equation, Two-Phase Flow Simulation in a Single-Pipe, Two-Phase Reactor Core and Steam Separator/Dryer**

This work is to demonstrate the well-posed, seven-equation, two-phase flow model which has been implemented into RELAP-7 via a seven-step process designed to progressively add additional physically- and numerically meaningful models in self-contained steps of increasing complexity. This seven-step progression also allows for critical benchmark testing that pertains to each step, rather than the much more difficult task of trying to test specific phenomena after the complex model is built. Several major physical components, including a pipe (“Pipe”), a simple heated core channel (“Core Channel”), and a simple separator and dryer (“Separator/Dryer”), have been developed to support the demonstration calculations presented in this report. The cases selected for demonstration of the seven-equation, two-phase modeling in RELAP-7 include two-phase flow in a single pipe with and without wall heating, two-phase flow in one reactor core channel and two-phase flow in an small flow path with one core channel and steam separator.

To demonstrate the seven-equation capability with the pipe component of variable cross-sectional area, several benchmark results are provided in this section. It includes test cases: (1) two-phase flow in a pipe with converging-diverging cross-sectional area, while no phase interaction is present, (2) two-phase flow in a pipe with converging-diverging cross-sectional area, with phase interaction and relaxation both present, and (3) two-phase flow in a straight pipe with constant cross-sectional area, with phase change from wall heating. Implementation of the theory to the “Core Channel” and “Separator/Dryer” component was also performed.

As a conclusion, RELAP-7 development team proposed improvement of dynamic flow regime models.

## 7. Concluding Remark

RELAP-7 code is under development and various demonstrations and tests will be conducted as outline in this Plan. Each released version of RELAP-7 have been tested using limited automated “regression-types” of tests. Issues arisen in previous development phase has been identified and mostly resolved in the current alpha-development phase.

The release of beta-version is targeting in December 2014. As identified in the previous demonstrations, IAPWS-95 steam/water properties is implemented, stiffened gas equation of state is improved, and other features have been inserted and enhanced, such as the Pressurizer modeling.

As recommended in the EPRI report in 2010, the RELAP-7 code has been developed to address legacy issues, to simulate multi-dimensional / multi-scale / multi-physics phenomena, have an improved GUI interface, and worked to fulfill guidance by the US nuclear industry.

The Requirements Traceability Matrix (RTM) that has been proposed in this Plan will be expanded and completed using RELAP-7 beta version which will be available in December 2014. An example of RTM is shown in Appendix D. This RTM will be developed for each measurable matrix element as described in Chapter 5:

- Code verification on numerical method
- Code verification on software design
- Code validation using phenomenological tests
- Code validation using separate effect tests

The list of test will be reviewed as the SVVP is implemented during FY15 and details of test scenarios are prepared.

## Appendix A RELAP-7 Input Parameters

### GlobalParams block

- debug\_7eqn: If it is on, several more parameters will be outputted (Default = 0)
- element\_const\_source\_term: If it is on, element const values would be used to evaluate source terms, such as friction term (Default = 0)
- explicit\_acoustic\_impedance: if an explicit acoustic impedance should be used (Default = 0)
- explicit\_alpha\_gradient: If an explicit alpha gradient should be used (Default = 0)
- global\_init\_P: Global initial pressure for fluid (Default = 100000)
- global\_init\_T: Global initial temperature for fluid (Default = 300)
- global\_init\_V: Global initial velocity for fluid (Default = 0)
- global\_init\_volume\_fraction\_vapor: Global initial vapor volume fraction for fluid (Default = 1)
- gravity: Gravity vector (Default = 0 0 -9.8)
- heat\_exchange\_coef\_liquid: User-given heat exchange coefficient of liquid
- heat\_exchange\_coef\_vapor: User-given heat exchange coefficient of vapor
- interfacial\_On: Phase interaction on (Default = 1)
- massTransfer\_On: Inter-phase heat/mass transfer on (Default = 1)
- model\_type: Which physical model to use (currently 2, 3 and 7 equation models) (Default = 2)
- p\_relaxation\_On: Inter-phase pressure relaxation on (Default = 1)
- pressure\_relaxation\_rate: User-given value for pressure relaxation rate
- scaling\_factor\_alpha: Scaling factors for each constraint (Default = 1 1 1)
- scaling\_factor\_beta: Scaling factors for constraints in the equations (Default = 1 1 1)
- scaling\_factor\_var: Scaling factors for each variable (Default = 1 0.0001 1e-07)
- scaling\_factor\_var\_2phase: Scaling factors for each variable of 7eqn 2phase model (Default = 0.001 1 0.001 1e-05 1 0.001 1e-05)
- scaling\_factors: Scaling factors ( $\rho$ ,  $u$ ,  $E$ ,  $A$ ) (Default = 1000 1 1e+06 1)
- shock\_capturing: Use shock capturing or not (Default = 0)
- specific\_interfacial\_area\_max\_value: Max value of the specific interfacial area (Default = 1700)
- stabilization\_entropy\_viscosity\_Ce: Coefficient for stabilization schemes (entropy viscosity) (Default = 1)
- stabilization\_entropy\_viscosity\_output\_visc: Output viscosity coefficients or not in the definition of the entropy viscosity coefficient (Default = 0)
- stabilization\_entropy\_viscosity\_use\_first\_order: Use first order viscosity or not (Default = 0)
- stabilization\_entropy\_viscosity\_use\_jump: Include jumps or not in the definition of the entropy viscosity coefficient (Default = 1)
- stabilization\_lapidus\_cl: Coefficient for Lapidus stabilization (Default: 1.2)
- stabilization\_lapidus\_cl\_liquid: Coefficient for Lapidus stabilization for liquid phase (Default = 1.2)
- stabilization\_lapidus\_cl\_vapor: Coefficient for Lapidus stabilization for vapor phase ((Default = 1.2)
- stabilization\_lapidus\_debug: True to turn debugging on (Default = 0)
- stabilization\_pressure\_ce: Coefficient for pressure based stabilization (Default = 1.5)
- stabilization\_type: Stabilization type (SUPG)
- temperature\_sf: Scaling factor for solid temperature variable (Default = 1)
- v\_relaxation\_On: Inter-phase velocity relaxation on (Default = 1)
- velocity\_relaxation\_rate: User-given value for velocity relaxation rate
- vf\_norm\_factor: Volume fraction normalization factor (Default = 10000)
- wall\_mass\_transfer\_on: Wall mass transfer on (Default = 1)

### **EoS block**

- type: EoS (Required)

The `AreaPostprocessor` needs following parameters:

- boundary: The list of boundary IDs from the mesh where this boundary condition applies
- execute\_on: Set to (residual | jacobian | timestep | timestep\_begin | custom) to execute only at that moment (Default = timestep)
- outputs: Vector of output names were you would like to restrict the output of this postprocessor (empty outputs to all)
- type: AreaPostprocessor (Default)
- use\_displaced\_mesh: Whether or not this object should use the displaced mesh for computation. Note that in the case this is true but no displacements are provided in the Mesh block the undisplaced mesh will still be used (Default = 0)

The `AverageElementSize` needs following parameters:

- block: The list of block ids (SubdomainID) that this object will be applied
- execute\_on: Set to (residual|jacobian|timestep|timestep\_begin|custom) to execute only at that moment (Default = timestep)
- outputs: Vector of output names were you would like to restrict the output of this postprocessor (empty outputs to all)
- seed: The seed for the master random number generator (Default = 0)
- type: AverageElementSize (Default)
- use\_displaced\_mesh: Whether or not this object should use the displaced mesh for computation. Note that in the case this is true but no displacements are provided in the Mesh block the undisplaced mesh will still be used (Default = 0)
- variable: The name of the variable that this object operates on (Required)

The `AverageNodalVariableValue` needs following parameters:

- block: The list of block ids (SubdomainID) that this object will be applied
- boundary: The list of boundary IDs from the mesh where this boundary condition applies
- execute\_on: Set to (residual|jacobian|timestep|timestep\_begin|custom) to execute only at that moment (Default = timestep)
- outputs: Vector of output names were you would like to restrict the output of this postprocessor (empty outputs to all)
- seed: The seed for the master random number generator (Default = 0)
- type: AverageNodalVariableValue (Default)
- use\_displaced\_mesh: Whether or not this object should use the displaced mesh for computation. Note that in the case this is true but no displacements are provided in the Mesh block the undisplaced mesh will still be used (Default = 0)
- variable: The name of the variable that this postprocessor operates on (Required)

The `BarotropicEquationOfState` needs following parameters:

- a2:  $dp/d\rho$  (Required)
- execute\_on: Set to (residual|jacobian|timestep|timestep\_begin|custom) to execute only at that moment (Default = timestep)
- p\_0: Reference pressure (Required)
- rho\_0: Reference density (Required)
- type: BarotropicEquationOfState (Default)

- `use_displaced_mesh`: Whether or not this object should use the displaced mesh for computation. Note that in the case this is true but no displacements are provided in the Mesh block the undisplaced mesh will still be used (Default = 0)

The `CInterfacePosition` needs following parameters:

- `RefVal`: Variable value used to determine interface position (Default = 0.5)
- `block`: The list of block ids (SubdomainID) that this object will be applied
- `boundary`: The list of boundary IDs from the mesh where this boundary condition applies
- `direction_index`: The index of the direction the position is measured in (Required)
- `execute_on`: Set to (residual|jacobian|timestep|timestep\_begin|custom) to execute only at that moment (Default = timestep)
- `outputs`: Vector of output names were you would like to restrict the output of this postprocessor (empty outputs to all)
- `seed`: The seed for the master random number generator (Default = 0)
- `type`: `CInterfacePosition` (Default)
- `use_displaced_mesh`: Whether or not this object should use the displaced mesh for computation. Note that in the case this is true but no displacements are provided in the Mesh block the undisplaced mesh will still be used (Default = 0)
- `variable`: The name of the variable that this postprocessor operates on (Required)

The `CheckValveMechanism` needs following parameters:

- `back_pressure`: Pressure difference for the valve to open, [Pa] (Required)
- `delta_z`: Height change from inlet to outlet, [m] (Required)
- `execute_on`: Set to (residual|jacobian|timestep|timestep\_begin|custom) to execute only at that moment (Default = timestep)
- `fullopen_area`: The cross sectional area of the valve at fully open (Required)
- `g`: gravity magnitude (Required)
- `initial_status`: The current valve open/close status (Required)
- `node_ids`: Node ids for the valve inlet and outlet, respectively (Required)
- `response_time`: The response time the valve needs to open/close (Required)
- `type`: `CheckValveMechanism` (Default)
- `use_displaced_mesh`: Whether or not this object should use the displaced mesh for computation. Note that in the case this is true but no displacements are provided in the Mesh block the undisplaced mesh will still be used (Default = 0)

The `CompressibleValveMechanism` needs following parameters:

- `delta_p_close`: Minimal pressure difference for closing a relieve valve, [Pa] (Default = -1e+100)
- `delta_p_open`: Minimal pressure difference for opening a relieve valve, [Pa] (Default = 1e+100)
- `execute_on`: Set to (residual|jacobian|timestep|timestep\_begin|custom) to execute only at that moment (Default = timestep)
- `full_open_area`: The cross sectional area of the valve at fully open (Required)
- `initial_status`: The current valve open/close status (Required)
- `is_actuated_by_physics`: True if the valve can only be actuated by physics, such as pressure difference (Required)
- `is_actuated_by_pressure_difference`: True if the valve is actuated by pressure difference; false if by inlet pressure (Required)
- `response_time_close`: The response time the valve needs to close (Required)
- `response_time_open`: The response time the valve needs to open (Required)
- `type`: `CompressibleValveMechanism` (Default)

- `use_displaced_mesh`: Whether or not this object should use the displaced mesh for computation. Note that in the case this is true but no displacements are provided in the Mesh block the undisplaced mesh will still be used (Default = 0)
- `valve_action`: Valve control action; only for controllable valves (Required)

The `DifferencePostprocessor` needs following parameters:

- `execute_on`: Set to (residual|jacobian|timestep|timestep\_begin|custom) to execute only at that moment (Default = timestep)
- `outputs`: Vector of output names were you would like to restrict the output of this postprocessor (empty outputs to all)
- `type`: `DifferencePostprocessor` (Default)
- `use_displaced_mesh`: Whether or not this object should use the displaced mesh for computation. Note that in the case this is true but no displacements are provided in the Mesh block the undisplaced mesh will still be used (Default = 0)
- `value1`: First value (Required)
- `value2`: Second value (Required)

The `ElementAverageTimeDerivative` needs following parameters:

- `block`: The list of block ids (SubdomainID) that this object will be applied
- `execute_on`: Set to (residual|jacobian|timestep|timestep\_begin|custom) to execute only at that moment (Default = timestep)
- `outputs`: Vector of output names were you would like to restrict the output of this postprocessor (empty outputs to all)
- `seed`: The seed for the master random number generator (Default = 0)
- `type`: `ElementAverageTimeDerivative` (Default)
- `use_displaced_mesh`: Whether or not this object should use the displaced mesh for computation. Note that in the case this is true but no displacements are provided in the Mesh block the undisplaced mesh will still be used (Default = 0)
- `variable`: The name of the variable that this object operates on (Required)

The `ElementAverageValue` needs following parameters:

- `block`: The list of block ids (SubdomainID) that this object will be applied
- `execute_on`: Set to (residual|jacobian|timestep|timestep\_begin|custom) to execute only at that moment (Default = timestep)
- `outputs`: Vector of output names were you would like to restrict the output of this postprocessor (empty outputs to all)
- `seed`: The seed for the master random number generator (Default = 0)
- `type`: `ElementAverageValue` (Default)
- `use_displaced_mesh`: Whether or not this object should use the displaced mesh for computation. Note that in the case this is true but no displacements are provided in the Mesh block the undisplaced mesh will still be used (Default = 0)
- `variable`: The name of the variable that this object operates on (Required)

The `ElementExtremeValue` needs following parameters:

- `block`: The list of block ids (SubdomainID) that this object will be applied
- `execute_on`: Set to (residual|jacobian|timestep|timestep\_begin|custom) to execute only at that moment (Default = timestep)
- `outputs`: Vector of output names were you would like to restrict the output of this postprocessor (empty outputs to all)
- `seed`: The seed for the master random number generator (Default = 0)
- `type`: `ElementExtremeValue` (Default)

- `use_displaced_mesh`: Whether or not this object should use the displaced mesh for computation. Note that in the case this is true but no displacements are provided in the Mesh block the undisplaced mesh will still be used (Default = 0)
- `value_type`: Type of extreme value to return. 'max' returns the maximum value. 'min' returns the minimum value (Default = max)
- `variable`: The name of the variable that this postprocessor operates on (Required)

The `ElementH1Error` needs following parameters:

- `block`: The list of block ids (SubdomainID) that this object will be applied
- `execute_on`: Set to (residual|jacobian|timestep|timestep\_begin|custom) to execute only at that moment (Default = timestep)
- `function`: The analytic solution to compare against (Required)
- `outputs`: Vector of output names were you would like to restrict the output of this postprocessor (empty outputs to all)
- `seed`: The seed for the master random number generator (Default = 0)
- `type`: `ElementH1Error` (Default)
- `use_displaced_mesh`: Whether or not this object should use the displaced mesh for computation. Note that in the case this is true but no displacements are provided in the Mesh block the undisplaced mesh will still be used (Default = 0)
- `variable`: The name of the variable that this object operates on (Required)

The `ElementH1SemiError` needs following parameters:

- `block`: The list of block ids (SubdomainID) that this object will be applied
- `execute_on`: Set to (residual|jacobian|timestep|timestep\_begin|custom) to execute only at that moment (Default = timestep)
- `function`: The analytic solution to compare against (Required)
- `outputs`: Vector of output names were you would like to restrict the output of this postprocessor (empty outputs to all)
- `seed`: The seed for the master random number generator (Default = 0)
- `type`: `ElementH1SemiError` (Default)
- `use_displaced_mesh`: Whether or not this object should use the displaced mesh for computation. Note that in the case this is true but no displacements are provided in the Mesh block the undisplaced mesh will still be used (Default = 0)
- `variable`: The name of the variable that this object operates on (Required)

The `ElementIntegralMaterialProperty` needs following parameters

- `block`: The list of block ids (SubdomainID) that this object will be applied
- `execute_on`: Set to (residual|jacobian|timestep|timestep\_begin|custom) to execute only at that moment (Default = timestep)
- `mat_prop`: The name of the material property (Required)
- `outputs`: Vector of output names were you would like to restrict the output of this postprocessor (empty outputs to all)
- `seed`: The seed for the master random number generator (Default = 0)
- `type`: `ElementIntegralMaterialProperty` (Default)
- `use_displaced_mesh`: Whether or not this object should use the displaced mesh for computation. Note that in the case this is true but no displacements are provided in the Mesh block the undisplaced mesh will still be used (Default = 0)

The `ElementIntegralVariablePostprocessor` needs following parameters:

- `block`: The list of block ids (SubdomainID) that this object will be applied



- `execute_on`: Set to (residual|jacobian|timestep|timestep\_begin|custom) to execute only at that moment (Default = timestep)
- `outputs`: Vector of output names were you would like to restrict the output of this postprocessor (empty outputs to all)
- `seed`: The seed for the master random number generator (Default = 0)
- `type`: `ElementIntegralVariablePostprocessor` (Default)
- `use_displaced_mesh`: Whether or not this object should use the displaced mesh for computation. Note that in the case this is true but no displacements are provided in the Mesh block the undisplaced mesh will still be used (Default = 0)

variable: The name of the variable that this object operates on (Required)

The `ElementIntegralVariableUserObject` needs following parameters:

- `block`: The list of block ids (SubdomainID) that this object will be applied
- `execute_on`: Set to (residual|jacobian|timestep|timestep\_begin|custom) to execute only at that moment (Default = timestep)
- `seed`: The seed for the master random number generator (Default = 0)
- `type`: `ElementIntegralVariableUserObject` (Default)
- `use_displaced_mesh`: Whether or not this object should use the displaced mesh for computation. Note that in the case this is true but no displacements are provided in the Mesh block the undisplaced mesh will still be used (Default = 0)
- `variable`: The name of the variable that this object operates on (Required)

The `ElementL2Error` needs following parameters:

- `block`: The list of block ids (SubdomainID) that this object will be applied
- `execute_on`: Set to (residual|jacobian|timestep|timestep\_begin|custom) to execute only at that moment (Default = timestep)
- `function`: The analytic solution to compare against (Required)
- `outputs`: Vector of output names were you would like to restrict the output of this postprocessor (empty outputs to all)
- `seed`: The seed for the master random number generator (Default = 0)
- `type`: `ElementL2Error` (Default)
- `use_displaced_mesh`: Whether or not this object should use the displaced mesh for computation. Note that in the case this is true but no displacements are provided in the Mesh block the undisplaced mesh will still be used (Default= 0)
- `variable`: The name of the variable that this object operates on (Required)

The `ElementL2Norm` needs following parameters:

- `block`: The list of block ids (SubdomainID) that this object will be applied
- `execute_on`: Set to (residual|jacobian|timestep|timestep\_begin|custom) to execute only at that moment (Default = timestep)
- `outputs`: Vector of output names were you would like to restrict the output of this postprocessor (empty outputs to all)
- `seed`: The seed for the master random number generator (Default = 0)
- `type`: `ElementL2Norm` (Default)
- `use_displaced_mesh`: Whether or not this object should use the displaced mesh for computation. Note that in the case this is true but no displacements are provided in the Mesh block the undisplaced mesh will still be used (Default = 0)
- `variable`: The name of the variable that this object operates on (Required)

The `ElementVectorL2Error` needs following parameters:

- block: The list of block ids (SubdomainID) that this object will be applied
- execute\_on: Set to (residual|jacobian|timestep|timestep\_begin|custom) to execute only at that moment (Default = timestep)
- function\_x: The analytic solution to compare against (Required)
- function\_y: The analytic solution to compare against (Default = 0)
- function\_z: The analytic solution to compare against (Default = 0)
- outputs: Vector of output names were you would like to restrict the output of this postprocessor (empty outputs to all)
- seed: The seed for the master random number generator (Default = 0)
- type: ElementVectorL2Error (Default)
- use\_displaced\_mesh: Whether or not this object should use the displaced mesh for computation. Note that in the case this is true but no displacements are provided in the Mesh block the undisplaced mesh will still be used (Default = 0)
- var\_x: The FE solution in x direction (Required)
- var\_y: The FE solution in y direction (Default = 0)
- var\_z: The FE solution in z direction (Default = 0)

The ElementalVariableValue needs following parameters:

- elementid: The ID of the element where we monitor (Required)
- execute\_on: Set to (residual|jacobian|timestep|timestep\_begin|custom) to execute only at that moment (Default = timestep)
- outputs: Vector of output names were you would like to restrict the output of this postprocessor (empty outputs to all)
- type: ElementalVariableValue (Default)
- use\_displaced\_mesh: Whether or not this object should use the displaced mesh for computation. Note that in the case this is true but no displacements are provided in the Mesh block the undisplaced mesh will still be used (Default = 0)
- variable: The variable to be monitored (Required)

The EmptyPostprocessor needs following parameters:

- execute\_on: Set to (residual|jacobian|timestep|timestep\_begin|custom) to execute only at that moment (Default = timestep)
- outputs: Vector of output names were you would like to restrict the output of this postprocessor (empty outputs to all)
- type: EmptyPostprocessor (Default)
- use\_displaced\_mesh: Whether or not this object should use the displaced mesh for computation. Note that in the case this is true but no displacements are provided in the Mesh block the undisplaced mesh will still be used (Default = 0)

The FuelReactivity needs following parameters:

- avg\_fuel\_temp: The name of the user object that computes average fuel temperature (Required)
- avg\_temp\_0: Average temperature of the fuel at time  $t=0$  (Required)
- execute\_on: Set to (residual|jacobian|timestep|timestep\_begin|custom) to execute only at that moment (Default = timestep)
- fuelReactivity: Doppler reactivity table
- fuelTempCoefficient: Fuel temperature coefficient
- fuelTemperature: Fuel temperature table for reactivity
- fuelWeightingFactor: Fuel weighting factor
- n\_layers: The number of layers in the fuel block (Required)
- outputs: Vector of output names were you would like to restrict the output of this postprocessor (empty outputs to all)

- type: FuelReactivity (Default)
- use\_displaced\_mesh: Whether or not this object should use the displaced mesh for computation. Note that in the case this is true but no displacements are provided in the Mesh block the undisplaced mesh will still be used (Default = 0)

The `INSExplicitTimestepSelector` needs following parameters:

- beta:  $0 < \text{beta} < 1$ , choose some fraction of the limiting timestep size (Required)
- block: The list of block ids (SubdomainID) that this object will be applied
- execute\_on: Set to (residual|jacobian|timestep|timestep\_begin|custom) to execute only at that moment (Default = timestep)
- mu: dynamic viscosity (Required)
- outputs: Vector of output names were you would like to restrict the output of this postprocessor (empty outputs to all)
- rho: density (Required)
- seed: The seed for the master random number generator (Default = 0)
- type: INSExplicitTimestepSelector (Default)
- use\_displaced\_mesh: Whether or not this object should use the displaced mesh for computation. Note that in the case this is true but no displacements are provided in the Mesh block the undisplaced mesh will still be used (Default = 0)
- vel\_mag: Velocity magnitude (Required)

The `IdealGasEquationOfState` needs following parameters:

- R: Gas constant (Required)
- execute\_on: Set to (residual|jacobian|timestep|timestep\_begin|custom) to execute only at that moment (Default = timestep)
- gamma: gamma value (cp/cv) (Required)
- type: IdealGasEquationOfState (Default)
- use\_displaced\_mesh: Whether or not this object should use the displaced mesh for computation. Note that in the case this is true but no displacements are provided in the Mesh block the undisplaced mesh will still be used (Default = 0)

The `InternalVolume` needs following parameters:

- addition: An additional volume to be included in the internal volume calculation (Default = 0)
- boundary: The list of boundary IDs from the mesh where this boundary condition applies
- component: The component to use in the integration (Default = 1)
- execute\_on: Set to (residual|jacobian|timestep|timestep\_begin|custom) to execute only at that moment (Default = timestep)
- outputs: Vector of output names were you would like to restrict the output of this postprocessor (empty outputs to all)
- scale\_factor: A scale factor to be applied to the internal volume calculation (Default = 1)
- type: InternalVolume (Default )
- use\_displaced\_mesh: Whether or not this object should use the displaced mesh for computation. Note that in the case this is true but no displacements are provided in the Mesh block the undisplaced mesh will still be used (Default = 1)

The `JumpGradientInterface` needs following parameters:

- block: The list of block ids (SubdomainID) that this object will be applied
- execute\_on: Set to (residual|jacobian|timestep|timestep\_begin|custom) to execute only at that moment (Default = timestep)
- jump: the name of the variable that will store the jump (Required)
- type: JumpGradientInterface (Default)

- `use_displaced_mesh`: Whether or not this object should use the displaced mesh for computation. Note that in the case this is true but no displacements are provided in the Mesh block the undisplaced mesh will still be used (Default = 0)
- `variable`: the variable name this userobject is acting on (Required)

The `LayeredAverage` needs following parameters:

- `average_radius`: When using 'average' sampling this is how the number of values both above and below the layer that will be averaged (Default = 1)
- `block`: The list of block ids (SubdomainID) that this object will be applied
- `bounds`: The 'bounding' positions of the layers i.e.: '0, 1.2, 3.7, 4.2' will mean 3 layers between those positions.
- `direction`: The direction of the layers (Required)
- `execute_on`: Set to (residual|jacobian|timestep|timestep\_begin|custom) to execute only at that moment (Default = timestep)
- `num_layers`: The number of layers.
- `sample_type`: How to sample the layers. 'direct' means get the value of the layer the point falls in directly (or average if that layer has no value). 'interpolate' does a linear interpolation between the two closest layers. 'average' averages the two closest layers (Default = direct)
- `seed`: The seed for the master random number generator (Default = 0)
- `type`: `LayeredAverage` (Default)
- `use_displaced_mesh`: Whether or not this object should use the displaced mesh for computation. Note that in the case this is true but no displacements are provided in the Mesh block the undisplaced mesh will still be used (Default = 0)
- `variable`: The name of the variable that this object operates on (Required)

The `LayeredIntegral` needs following parameters:

- `average_radius`: When using 'average' sampling this is how the number of values both above and below the layer that will be averaged (Default= 1)
- `block`: The list of block ids (SubdomainID) that this object will be applied
- `bounds`: The 'bounding' positions of the layers i.e.: '0, 1.2, 3.7, 4.2' will mean 3 layers between those positions.
- `direction`: The direction of the layers (Required)
- `execute_on`: Set to (residual|jacobian|timestep|timestep\_begin|custom) to execute only at that moment (Default= timestep)
- `num_layers`: The number of layers.
- `sample_type`: How to sample the layers. 'direct' means get the value of the layer the point falls in directly (or average if that layer has no value). 'interpolate' does a linear interpolation between the two closest layers. 'average' averages the two closest layers (Default = direct)
- `seed`: The seed for the master random number generator (Default = 0)
- `type`: `LayeredIntegral` (Default)
- `use_displaced_mesh`: Whether or not this object should use the displaced mesh for computation. Note that in the case this is true but no displacements are provided in the Mesh block the undisplaced mesh will still be used (Default = 0)
- `variable`: The name of the variable that this object operates on (Required)

The `LayeredSideAverage` needs following parameters:

- `average_radius`: When using 'average' sampling this is how the number of values both above and below the layer that will be averaged (Default = 1)
- `boundary`: The list of boundary IDs from the mesh where this boundary condition applies
- `bounds`: The 'bounding' positions of the layers i.e.: '0, 1.2, 3.7, 4.2' will mean 3 layers between those positions
- `direction`: The direction of the layers (Required)

- `execute_on`: Set to (residual|jacobian|timestep|timestep\_begin|custom) to execute only at that moment (Default = timestep)
- `num_layers`: The number of layers.
- `sample_type`: How to sample the layers. 'direct' means get the value of the layer the point falls in directly (or average if that layer has no value). 'interpolate' does a linear interpolation between the two closest layers. 'average' averages the two closest layers (Default = direct)
- `type`: LayeredSideAverage (Default)
- `use_displaced_mesh`: Whether or not this object should use the displaced mesh for computation. Note that in the case this is true but no displacements are provided in the Mesh block the undisplaced mesh will still be used (Default = 0)
- `variable`: The name of the variable that this boundary condition applies to (Required)

The `LayeredSideFluxAverage` needs following parameters:

- `average_radius`: When using 'average' sampling this is how the number of values both above and below the layer that will be averaged (Default = 1)
- `boundary`: The list of boundary IDs from the mesh where this boundary condition applies
- `bounds`: The 'bounding' positions of the layers i.e.: '0, 1.2, 3.7, 4.2' will mean 3 layers between those positions.
- `diffusivity`: The name of the diffusivity material property that will be used in the flux computation (Required)
- `direction`: The direction of the layers (Required)
- `execute_on`: Set to (residual|jacobian|timestep|timestep\_begin|custom) to execute only at that moment (Default = timestep)
- `num_layers`: The number of layers.
- `sample_type`: How to sample the layers. 'direct' means get the value of the layer the point falls in directly (or average if that layer has no value). 'interpolate' does a linear interpolation between the two closest layers. 'average' averages the two closest layers (Default = direct)
- `type`: LayeredSideFluxAverage (Default)
- `use_displaced_mesh`: Whether or not this object should use the displaced mesh for computation. Note that in the case this is true but no displacements are provided in the Mesh block the undisplaced mesh will still be used (Default = 0)
- `variable`: The name of the variable that this boundary condition applies to (Required)

The `LayeredSideIntegral` needs following parameters:

- `average_radius`: When using 'average' sampling this is how the number of values both above and below the layer that will be averaged (Default = 1)
- `boundary`: The list of boundary IDs from the mesh where this boundary condition applies
- `bounds`: The 'bounding' positions of the layers i.e.: '0, 1.2, 3.7, 4.2' will mean 3 layers between those positions
- `direction`: The direction of the layers (Required)
- `execute_on`: Set to (residual|jacobian|timestep|timestep\_begin|custom) to execute only at that moment (Default = timestep)
- `num_layers`: The number of layers.
- `sample_type`: How to sample the layers. 'direct' means get the value of the layer the point falls in directly (or average if that layer has no value). 'interpolate' does a linear interpolation between the two closest layers. 'average' averages the two closest layers (Default = direct)
- `type`: LayeredSideIntegral (Default)
- `use_displaced_mesh`: Whether or not this object should use the displaced mesh for computation. Note that in the case this is true but no displacements are provided in the Mesh block the undisplaced mesh will still be used (Default = 0)
- `variable`: The name of the variable that this boundary condition applies to (Required)

The `ModeratorReactivity` needs following parameters:

- `block`: The list of block ids (SubdomainID) that this object will be applied
- `elem_offset`: The ID of the first element (to compute the layer ID) (Required)
- `execute_on`: Set to (residual|jacobian|timestep|timestep\_begin|custom) to execute only at that moment (Default= timestep)
- `modDensity`: Moderator density table for reactivity (Required)
- `modReactivity`: Moderator reactivity (Required)
- `modTempCoefficient`: Moderator temperature coefficient (Required)
- `modWeightingFactor`: Moderator weighting factor (Required)
- `moderator_density`: Density of the moderator (i.e. fluid) (Required)
- `moderator_temp`: Temperature of the moderator (i.e. fluid) (Required)
- `outputs`: Vector of output names were you would like to restrict the output of this postprocessor (empty outputs to all)
- `seed`: The seed for the master random number generator (Default = 0)
- `temp_0`: Temperature of the moderator (i.e. fluid) at time t=0 (Required)
- `type`: ModeratorReactivity (Default)
- `use_displaced_mesh`: Whether or not this object should use the displaced mesh for computation. Note that in the case this is true but no displacements are provided in the Mesh block the undisplaced mesh will still be used (Default = 0)

The `N2Properties` needs following parameters:

- `chi_cp`: Uncertainty coefficient on specific heat at constant pressure (Default = 1)
- `chi_k`: Uncertainty coefficient on thermal conductivity (Default = 1)
- `chi_mu`: Uncertainty coefficient on viscosity (Default = 1)
- `chi_p`: Uncertainty coefficient on pressure
- `execute_on`: Set to (residual|jacobian|timestep|timestep\_begin|custom) to execute only at that moment (Default = timestep)
- `type`: N2Properties (Default)
- `use_displaced_mesh`: Whether or not this object should use the displaced mesh for computation. Note that in the case this is true but no displacements are provided in the Mesh block the undisplaced mesh will still be used (Default = 0)

The `NearestPointLayeredAverage` needs following parameters:

- `average_radius`: When using 'average' sampling this is how the number of values both above and below the layer that will be averaged (Default = 1)
- `block`: The list of block ids (SubdomainID) that this object will be applied
- `bounds`: The 'bounding' positions of the layers i.e.: '0, 1.2, 3.7, 4.2' will mean 3 layers between those positions.
- `direction`: The direction of the layers (Required)
- `execute_on`: Set to (residual|jacobian|timestep|timestep\_begin|custom) to execute only at that moment (Default = timestep)
- `num_layers`: The number of layers.
- `points`: Layered averages will be computed in space closest to these points (Required)
- `sample_type`: How to sample the layers. 'direct' means get the value of the layer the point falls in directly (or average if that layer has no value). 'interpolate' does a linear interpolation between the two closest layers. 'average' averages the two closest layers (Default = direct)
- `seed`: The seed for the master random number generator (Default = 0)
- `type`: NearestPointLayeredAverage (Default)
- `use_displaced_mesh`: Whether or not this object should use the displaced mesh for computation. Note that in the case this is true but no displacements are provided in the Mesh block the undisplaced mesh will still be used (Default = 0)
- `variable`: The name of the variable that this object operates on (Required)

The `NetMassIn` needs following parameters:

- `boundary`: The list of boundary IDs from the mesh where this boundary condition applies
- `execute_on`: Set to (residual|jacobian|timestep|timestep\_begin|custom) to execute only at that moment (Default = timestep)
- `outputs`: Vector of output names were you would like to restrict the output of this postprocessor (empty outputs to all)
- `rhoA`: Momentum (Required)
- `type`: `NetMassIn` (default)
- `use_displaced_mesh`: Whether or not this object should use the displaced mesh for computation. Note that in the case this is true but no displacements are provided in the Mesh block the undisplaced mesh will still be used (Default = 0)

The `NetThermalEnergyIn` needs following parameters

- `boundary`: The list of boundary IDs from the mesh where this boundary condition applies
- `execute_on`: Set to (residual|jacobian|timestep|timestep\_begin|custom) to execute only at that moment (Default = timestep)
- `outputs`: Vector of output names were you would like to restrict the output of this postprocessor (empty outputs to all)
- `rhoEA`: Total energy (Required)
- `rhoA`: Momentum (Required)
- `type`: `NetThermalEnergyIn` (Default)
- `u`: Velocity (Required)
- `use_displaced_mesh`: Whether or not this object should use the displaced mesh for computation. Note that in the case this is true but no displacements are provided in the Mesh block the undisplaced mesh will still be used (Default = 0)

The `NodalExtremeValue` needs following parameters;

- `block`: The list of block ids (SubdomainID) that this object will be applied
- `boundary`: The list of boundary IDs from the mesh where this boundary condition applies
- `execute_on`: Set to (residual|jacobian|timestep|timestep\_begin|custom) to execute only at that moment (Default = timestep)
- `outputs`: Vector of output names were you would like to restrict the output of this postprocessor (empty outputs to all)
- `seed`: The seed for the master random number generator (Default = 0)
- `type`: `NodalExtremeValue` (Default)
- `use_displaced_mesh`: Whether or not this object should use the displaced mesh for computation. Note that in the case this is true but no displacements are provided in the Mesh block the undisplaced mesh will still be used (Default = 0)
- `value_type`: Type of extreme value to return. 'max' returns the maximum value. 'min' returns the minimum value (Default = max)
- `variable`: The name of the variable that this postprocessor operates on (Required)

The `NodalJxW` needs following parameters:

- `block`: The list of block ids (SubdomainID) that this object will be applied
- `execute_on`: Set to (residual|jacobian|timestep|timestep\_begin|custom) to execute only at that moment (Default = timestep)
- `seed`: The seed for the master random number generator (Default = 0)
- `type`: `NodalJxW` (Default)
- `use_displaced_mesh`: Whether or not this object should use the displaced mesh for computation. Note that in the case this is true but no displacements are provided in the Mesh block the undisplaced mesh will still be used (Default = 0)

- variable: Variable (Required)

The `NodalL2Error` needs following parameters:

- block: The list of block ids (SubdomainID) that this object will be applied
- boundary: The list of boundary IDs from the mesh where this boundary condition applies
- execute\_on: Set to (residual|jacobian|timestep|timestep\_begin|custom) to execute only at that moment (Default = timestep)
- function: The analytic solution to compare against (Required)
- outputs: Vector of output names were you would like to restrict the output of this postprocessor (empty outputs to all)
- seed: The seed for the master random number generator (Default = 0)
- type: `NodalL2Error` (Default)
- use\_displaced\_mesh: Whether or not this object should use the displaced mesh for computation. Note that in the case this is true but no displacements are provided in the Mesh block the undisplaced mesh will still be used (Default = 0)
- variable: The name of the variable that this postprocessor operates on (Required)

The `NodalL2Norm` needs following parameters:

- block: The list of block ids (SubdomainID) that this object will be applied
- boundary: The list of boundary IDs from the mesh where this boundary condition applies
- execute\_on: Set to (residual|jacobian|timestep|timestep\_begin|custom) to execute only at that moment (Default = timestep)
- outputs: Vector of output names were you would like to restrict the output of this postprocessor (empty outputs to all)
- seed: The seed for the master random number generator (Default = 0)
- type: `NodalL2Norm` (Default )
- use\_displaced\_mesh: Whether or not this object should use the displaced mesh for computation. Note that in the case this is true but no displacements are provided in the Mesh block the undisplaced mesh will still be used (Default = 0)
- variable: The name of the variable that this postprocessor operates on (Required)

The `NodalMaxFromAverage` needs following parameters:

- average\_name\_pps: name of the postprocessor computing the mean value (Required)
- block: The list of block ids (SubdomainID) that this object will be applied
- boundary: The list of boundary IDs from the mesh where this boundary condition applies
- execute\_on: Set to (residual|jacobian|timestep|timestep\_begin|custom) to execute only at that moment (Default = timestep)
- outputs: Vector of output names were you would like to restrict the output of this postprocessor (empty outputs to all)
- seed: The seed for the master random number generator (Default = 0)
- type: `NodalMaxFromAverage` (Default)
- use\_displaced\_mesh: Whether or not this object should use the displaced mesh for computation. Note that in the case this is true but no displacements are provided in the Mesh block the undisplaced mesh will still be used (Default = 0)
- variable: The name of the variable that this postprocessor operates on (Required)

The `NodalMaxValue` needs following parameters:

- block: The list of block ids (SubdomainID) that this object will be applied
- boundary: The list of boundary IDs from the mesh where this boundary condition applies
- execute\_on: Set to (residual|jacobian|timestep|timestep\_begin|custom) to execute only at that moment (Default = timestep)



- outputs: Vector of output names were you would like to restrict the output of this postprocessor (empty outputs to all)
- seed: The seed for the master random number generator (Default = 0)
- type: NodalMaxValue (Default)
- use\_displaced\_mesh: Whether or not this object should use the displaced mesh for computation. Note that in the case this is true but no displacements are provided in the Mesh block the undisplaced mesh will still be used (Default = 0)
- variable: The name of the variable that this postprocessor operates on (Required)

The NodalNormalsCorner needs following parameters:

- boundary: The list of boundary IDs from the mesh where this boundary condition applies
- corner\_boundary: Node set ID which contains the nodes that are in 'corners' (Required)
- execute\_on: Set to (residual|jacobian|timestep|timestep\_begin|custom) to execute only at that moment (Default = timestep)
- type: NodalNormalsCorner (Default)
- use\_displaced\_mesh: Whether or not this object should use the displaced mesh for computation. Note that in the case this is true but no displacements are provided in the Mesh block the undisplaced mesh will still be used (Default = 0)

The NodalNormalsEvaluator needs following parameters:

- block: The list of block ids (SubdomainID) that this object will be applied
- boundary: The list of boundary IDs from the mesh where this boundary condition applies
- execute\_on: Set to (residual|jacobian|timestep|timestep\_begin|custom) to execute only at that moment (Default = timestep)
- seed: The seed for the master random number generator (Default = 0)
- type: NodalNormalsEvaluator (Default)
- use\_displaced\_meshn: Whether or not this object should use the displaced mesh for computation. Note that in the case this is true but no displacements are provided in the Mesh block the undisplaced mesh will still be used (Default = 0)

The NodalNormalsPreprocessor needs following parameters:

- block: The list of block ids (SubdomainID) that this object will be applied
- boundary: The list of boundary IDs from the mesh where this boundary condition applies
- corner\_boundary: Node set ID which contains the nodes that are in 'corners'.
- execute\_on: Set to (residual|jacobian|timestep|timestep\_begin|custom) to execute only at that moment (Default = timestep)
- seed: The seed for the master random number generator (Default = 0)
- type: NodalNormalsPreprocessor (Default)
- use\_displaced\_mesh: Whether or not this object should use the displaced mesh for computation. Note that in the case this is true but no displacements are provided in the Mesh block the undisplaced mesh will still be used (Default = 0)

The NodalProxyMaxValue needs following parameters:

- block: The list of block ids (SubdomainID) that this object will be applied
- boundary: The list of boundary IDs from the mesh where this boundary condition applies
- execute\_on: Set to (residual|jacobian|timestep|timestep\_begin|custom) to execute only at that moment (Default = timestep)
- outputs: Vector of output names were you would like to restrict the output of this postprocessor (empty outputs to all)
- seed: The seed for the master random number generator (Default = 0)
- type: NodalProxyMaxValue (Default)

- `use_displaced_mesh`: Whether or not this object should use the displaced mesh for computation. Note that in the case this is true but no displacements are provided in the Mesh block the undisplaced mesh will still be used (Default = 0)
- `variable`: The name of the variable that this postprocessor operates on (Required)

The `NodalSum` needs following parameters:

- `block`: The list of block ids (SubdomainID) that this object will be applied
- `boundary`: The list of boundary IDs from the mesh where this boundary condition applies
- `execute_on`: Set to (residual|jacobian|timestep|timestep\_begin|custom) to execute only at that moment (Default = timestep)
- `outputs`: Vector of output names were you would like to restrict the output of this postprocessor (empty outputs to all)
- `seed`: The seed for the master random number generator (Default = 0)
- `type`: `NodalSum` (Default)
- `use_displaced_mesh`: Whether or not this object should use the displaced mesh for computation. Note that in the case this is true but no displacements are provided in the Mesh block the undisplaced mesh will still be used (Default = 0)
- `variable`: The name of the variable that this postprocessor operates on (Required)

The `NodalVariableValue` needs following parameters:

- `execute_on`: Set to (residual|jacobian|timestep|timestep\_begin|custom) to execute only at that moment (Default = timestep)
- `nodeid`: The ID of the node where we monitor (Required)
- `outputs`: Vector of output names were you would like to restrict the output of this postprocessor (empty outputs to all)
- `scale_factor`: A scale factor to be applied to the variable (Default = 1)
- `type`: `NodalVariableValue` (Default)
- `use_displaced_mesh`: Whether or not this object should use the displaced mesh for computation. Note that in the case this is true but no displacements are provided in the Mesh block the undisplaced mesh will still be used (Default = 0)
- `variable`: The variable to be monitored (Required)

The `NonIsothermalEOSFluidProps` needs following parameters:

- `Pr`: Prandtl Number (Required)
- `T_0`: Reference internal energy (Required)
- `a2`:  $dp/d(\rho)$  (Required)
- `beta`: Coefficient of thermal expansion (Required)
- `cv`: Specific heat (Required)
- `e_0`: Reference internal energy (Required)
- `execute_on`: Set to (residual|jacobian|timestep|timestep\_begin|custom) to execute only at that moment (Default = timestep)
- `k`: Thermal conductivity, [W/(m-K)] (Required)
- `mu`: Dynamic viscosity, [Pa s] (Required)
- `p_0`: Reference pressure (Required)
- `rho_0`: Reference density (Required)
- `type`: `NonIsothermalEOSFluidProps` (Default)
- `use_displaced_mesh`: Whether or not this object should use the displaced mesh for computation. Note that in the case this is true but no displacements are provided in the Mesh block the undisplaced mesh will still be used (Default = 0)

The `NonIsothermalEquationOfState` needs following parameters:

- `T_0`: Reference internal energy (Required)
- `a2`:  $dp/d(\rho)$  (Required)
- `beta`: Coefficient of thermal expansion (Required)
- `cv`: Specific heat (Required)
- `e_0`: Reference internal energy (Required)
- `execute_on`: Set to (residual|jacobian|timestep|timestep\_begin|custom) to execute only at that moment (Default = timestep)
- `p_0`: Reference pressure (Required)
- `rho_0`: Reference density (Required)
- `type`: NonIsothermalEquationOfState
- `use_displaced_meshn`: Whether or not this object should use the displaced mesh for computation. Note that in the case this is true but no displacements are provided in the Mesh block the undisplaced mesh will still be used (Default = 0)

The `NumDOFs` needs following parameters:

- `execute_on`: Set to (residual|jacobian|timestep|timestep\_begin|custom) to execute only at that moment (Default = timestep)
- `outputs`: Vector of output names were you would like to restrict the output of this postprocessor (empty outputs to all)
- `type`: NumDOFs (Default)
- `use_displaced_mesh`: Whether or not this object should use the displaced mesh for computation. Note that in the case this is true but no displacements are provided in the Mesh block the undisplaced mesh will still be used (Default = 0)

The `NumElems` needs following parameters:

- `execute_on`: Set to (residual|jacobian|timestep|timestep\_begin|custom) to execute only at that moment (Default = timestep)
- `outputs`: Vector of output names were you would like to restrict the output of this postprocessor (empty outputs to all)
- `type`: NumElems (Default)
- `use_displaced_mesh`: Whether or not this object should use the displaced mesh for computation. Note that in the case this is true but no displacements are provided in the Mesh block the undisplaced mesh will still be used (Default = 0)

The `NumLinearIterations` needs following parameters:

- `execute_on`: Set to (residual|jacobian|timestep|timestep\_begin|custom) to execute only at that moment (Default = timestep)
- `outputs`: Vector of output names were you would like to restrict the output of this postprocessor (empty outputs to all)
- `type`: NumLinearIterations (Default)
- `use_displaced_mesh`: Whether or not this object should use the displaced mesh for computation. Note that in the case this is true but no displacements are provided in the Mesh block the undisplaced mesh will still be used (Default = 0)

The `NumNodes` needs following parameters:

- `execute_on`: Set to (residual|jacobian|timestep|timestep\_begin|custom) to execute only at that moment (Default = timestep)
- `outputs`: Vector of output names were you would like to restrict the output of this postprocessor (empty outputs to all)
- `type`: NumNodes (Default)

- `use_displaced_mesh`: Whether or not this object should use the displaced mesh for computation. Note that in the case this is true but no displacements are provided in the Mesh block the undisplaced mesh will still be used (Default = 0)

The `NumNonlinearIterations` needs following parameters:

- `execute_on`: Set to (residual|jacobian|timestep|timestep\_begin|custom) to execute only at that moment (Default = timestep)
- `outputs`: Vector of output names were you would like to restrict the output of this postprocessor (empty outputs to all)
- `type`: `NumNonlinearIterations` (Default)
- `use_displaced_mesh`: Whether or not this object should use the displaced mesh for computation. Note that in the case this is true but no displacements are provided in the Mesh block the undisplaced mesh will still be used (Default = 0)

The `NumResidualEvaluations` needs following parameters:

- `execute_on`: Set to (residual|jacobian|timestep|timestep\_begin|custom) to execute only at that moment (Default = timestep)
- `outputs`: Vector of output names were you would like to restrict the output of this postprocessor (empty outputs to all)
- `type`: `NumResidualEvaluations` (Default)
- `use_displaced_mesh`: Whether or not this object should use the displaced mesh for computation. Note that in the case this is true but no displacements are provided in the Mesh block the undisplaced mesh will still be used (Default = 0)

The `NumVars` needs following parameters:

- `execute_on`: Set to (residual|jacobian|timestep|timestep\_begin|custom) to execute only at that moment (Default = timestep)
- `outputs`: Vector of output names were you would like to restrict the output of this postprocessor (empty outputs to all)
- `system`: The system for which you want to print the number of variables (Default = nonlinear)
- `type`: `NumVars` (Default)
- `use_displaced_mesh`: Whether or not this object should use the displaced mesh for computation. Note that in the case this is true but no displacements are provided in the Mesh block the undisplaced mesh will still be used (Default = 0)

The `NumericalFluxUserObject` needs following parameters:

- `execute_on`: Set to (residual|jacobian|timestep|timestep\_begin|custom) to execute only at that moment (Default = timestep)
- `type`: `NumericalFluxUserObject` (Default)
- `use_displaced_mesh`: Whether or not this object should use the displaced mesh for computation. Note that in the case this is true but no displacements are provided in the Mesh block the undisplaced mesh will still be used (Default = 0)

The `PerformanceData` needs following parameters:

- `column`: The column you want the value of (Required)
- `event`: The name of the event (Required)
- `execute_on`: Set to (residual|jacobian|timestep|timestep\_begin|custom) to execute only at that moment (Default = timestep)
- `outputs`: Vector of output names were you would like to restrict the output of this postprocessor (empty outputs to all)

- type: PerformanceData (Default)
- use\_displaced\_mesh: Whether or not this object should use the displaced mesh for computation. Note that in the case this is true but no displacements are provided in the Mesh block the undisplaced mesh will still be used (Default = 0)

The PlotFunction needs following parameters:

- execute\_on: Set to (residual|jacobian|timestep|timestep\_begin|custom) to execute only at that moment (Default = timestep)
- function: Name of the function to plot (i.e. sample) (Required)
- outputs: Vector of output names were you would like to restrict the output of this postprocessor (empty outputs to all)
- point: A point in space to be given to the function
- scale\_factor: A scale factor to be applied to the function (Default = 1)
- type: PlotFunction (Default)
- use\_displaced\_mesh: Whether or not this object should use the displaced mesh for computation. Note that in the case this is true but no displacements are provided in the Mesh block the undisplaced mesh will still be used (Default = 0)

The PointValue needs following parameters:

- execute\_on: Set to (residual|jacobian|timestep|timestep\_begin|custom) to execute only at that moment (Default = timestep)
- outputs: Vector of output names were you would like to restrict the output of this postprocessor (empty outputs to all)
- point: The physical point where the solution will be evaluated (Required)
- type: PointValue (Default)
- use\_displaced\_mesh: Whether or not this object should use the displaced mesh for computation. Note that in the case this is true but no displacements are provided in the Mesh block the undisplaced mesh will still be used (Default = 0)
- variable: The name of the variable that this postprocessor operates on (Required)

The PressureCB needs following parameters:

- area: Area (Required)
- boundary: The list of boundary IDs from the mesh where this boundary condition applies
- execute\_on: Set to (residual|jacobian|timestep|timestep\_begin|custom) to execute only at that moment (Default = timestep)
- outputs: Vector of output names were you would like to restrict the output of this postprocessor (empty outputs to all)
- pressure: Pressure (Required)
- type: PressureCB (Default)
- use\_displaced\_mesh: Whether or not this object should use the displaced mesh for computation. Note that in the case this is true but no displacements are provided in the Mesh block the undisplaced mesh will still be used (Default = 0)

The ProblemRealParameter needs following parameters:

- execute\_on: Set to (residual|jacobian|timestep|timestep\_begin|custom) to execute only at that moment (Default = timestep)
- outputs: Vector of output names were you would like to restrict the output of this postprocessor (empty outputs to all)
- param\_name: Name of the parameter to be exposed (Required)
- type: ProblemRealParameter (Default)

- `use_displaced_mesh`: Whether or not this object should use the displaced mesh for computation. Note that in the case this is true but no displacements are provided in the Mesh block the undisplaced mesh will still be used (Default = 0)

The `ReactivityFeedback` needs following parameters:

- `execute_on`: Set to (residual|jacobian|timestep|timestep\_begin|custom) to execute only at that moment (Default = timestep)
- `fuel_reactivity`: The fuel reactivity (Required)
- `moderator_reactivity`: The moderator reactivity (Required)
- `outputs`: Vector of output names were you would like to restrict the output of this postprocessor (empty outputs to all)
- `type`: `ReactivityFeedback` (Default)
- `use_displaced_mesh`: Whether or not this object should use the displaced mesh for computation. Note that in the case this is true but no displacements are provided in the Mesh block the undisplaced mesh will still be used (Default = 0)

The `Receiver` needs following parameters:

- `default`: The default value
- `execute_on`: Set to (residual|jacobian|timestep|timestep\_begin|custom) to execute only at that moment (Default = timestep)
- `outputs`: Vector of output names were you would like to restrict the output of this postprocessor (empty outputs to all)
- `type`: `Receiver` (Default)
- `use_displaced_mesh`: Whether or not this object should use the displaced mesh for computation. Note that in the case this is true but no displacements are provided in the Mesh block the undisplaced mesh will still be used (Default = 0)

The `Residual` needs following parameters:

- `execute_on`: Set to (residual|jacobian|timestep|timestep\_begin|custom) to execute only at that moment (Default = timestep)
- `outputs`: Vector of output names were you would like to restrict the output of this postprocessor (empty outputs to all)
- `type`: `Residual` (Default)
- `use_displaced_mesh`: Whether or not this object should use the displaced mesh for computation. Note that in the case this is true but no displacements are provided in the Mesh block the undisplaced mesh will still be used (Default = 0)

The `RigidBodyModes3D` needs following parameters:

- `block`: The list of block ids (SubdomainID) that this object will be applied
- `boundary`: The list of boundary IDs from the mesh where this boundary condition applies
- `disp_x`: x-displacement (Required)
- `disp_y`: y-displacement (Required)
- `disp_z`: z-displacement (Required)
- `execute_on`: Set to (residual|jacobian|timestep|timestep\_begin|custom) to execute only at that moment (Default = timestep)
- `modes`: Names of the `RigidBody3D` modes computed here. Select from: `trans_x`, `trans_y`, `trans_z`, `rot_x`, `rot_y`, `rot_z`
- `seed`: The seed for the master random number generator (Default = 0)
- `subspace_indices`: Indices of `FEProblem` subspace vectors containing rigid body modes
- `subspace_name`: `FEProblem` subspace containing rigid body mode vectors (Required)
- `type`: `RigidBodyModes3D` (Default)

- `use_displaced_mesh`: Whether or not this object should use the displaced mesh for computation. Note that in the case this is true but no displacements are provided in the Mesh block the undisplaced mesh will still be used (Default = 0)

The `RigidBodyModesRZ` needs following parameters:

- `block`: The list of block ids (SubdomainID) that this object will be applied
- `boundary`: The list of boundary IDs from the mesh where this boundary condition applies
- `disp_r`: r-displacement (Required)
- `disp_z`: z-displacement (Required)
- `execute_on`: Set to (residual|jacobian|timestep|timestep\_begin|custom) to execute only at that moment (Default = timestep)
- `seed`: The seed for the master random number generator (Default = 0)
- `subspace_indices`: Indices of FEProblem subspace vectors containing rigid body modes (Required)
- `subspace_name`: FEProblem subspace containing RZ rigid body modes (Required)
- `type`: `RigidBodyModesRZ` (Default)
- `use_displaced_mesh`: Whether or not this object should use the displaced mesh for computation. Note that in the case this is true but no displacements are provided in the Mesh block the undisplaced mesh will still be used (Default = 0)

The `RunTime` needs following parameters:

- `execute_on`: Set to (residual|jacobian|timestep|timestep\_begin|custom) to execute only at that moment (Default = timestep)
- `outputs`: Vector of output names where you would like to restrict the output of this postprocessor (empty outputs to all)
- `time_type`: Whether to output the total elapsed or just the active time (Required)
- `type`: `RunTime` (Default)
- `use_displaced_mesh`: Whether or not this object should use the displaced mesh for computation. Note that in the case this is true but no displacements are provided in the Mesh block the undisplaced mesh will still be used (Default = 0)

The `ScalarL2Error` needs following parameters:

- `execute_on`: Set to (residual|jacobian|timestep|timestep\_begin|custom) to execute only at that moment (Default = timestep)
- `function`: The analytic solution to compare against (Required)
- `outputs`: Vector of output names where you would like to restrict the output of this postprocessor (empty outputs to all)
- `type`: `ScalarL2Error` (Default)
- `use_displaced_mesh`: Whether or not this object should use the displaced mesh for computation. Note that in the case this is true but no displacements are provided in the Mesh block the undisplaced mesh will still be used (Default =)
- `variable`: The name of the scalar variable (Required)

The `ScalarVariable` needs following parameters:

- `component`: Component to output for this variable (Default = 0)
- `execute_on`: Set to (residual|jacobian|timestep|timestep\_begin|custom) to execute only at that moment (Default = timestep)
- `outputs`: Vector of output names where you would like to restrict the output of this postprocessor (empty outputs to all)
- `type`: `ScalarVariable` (Default)

- `use_displaced_mesh`: Whether or not this object should use the displaced mesh for computation. Note that in the case this is true but no displacements are provided in the Mesh block the undisplaced mesh will still be used (Default = 0)
- `variable`: Name of the variable (Required)

The `SideAverageValue` needs following parameters:

- `boundary`: The list of boundary IDs from the mesh where this boundary condition applies
- `execute_on`: Set to (residual|jacobian|timestep|timestep\_begin|custom) to execute only at that moment (Default = timestep)
- `outputs`: Vector of output names were you would like to restrict the output of this postprocessor (empty outputs to all)
- `type`: `SideAverageValue` (Default)
- `use_displaced_mesh`: Whether or not this object should use the displaced mesh for computation. Note that in the case this is true but no displacements are provided in the Mesh block the undisplaced mesh will still be used (Default = 0)
- `variable`: The name of the variable that this boundary condition applies to (Required)

The `SideFluxAverage` needs following parameters:

- `boundary`: The list of boundary IDs from the mesh where this boundary condition applies
- `diffusivity`: The name of the diffusivity material property that will be used in the flux computation.
- `execute_on`: Set to (residual|jacobian|timestep|timestep\_begin|custom) to execute only at that moment (Default = timestep)
- `outputs`: Vector of output names were you would like to restrict the output of this postprocessor (empty outputs to all)
- `type`: `SideFluxAverage` (Default)
- `use_displaced_mesh`: Whether or not this object should use the displaced mesh for computation. Note that in the case this is true but no displacements are provided in the Mesh block the undisplaced mesh will still be used (Default = 0)
- `variable`: The name of the variable that this boundary condition applies to (Required)

The `SideFluxIntegral` needs following parameters:

- `boundary`: The list of boundary IDs from the mesh where this boundary condition applies
- `diffusivity`: The name of the diffusivity material property that will be used in the flux computation (Required)
- `execute_on`: Set to (residual|jacobian|timestep|timestep\_begin|custom) to execute only at that moment (Default = timestep)
- `outputs`: Vector of output names were you would like to restrict the output of this postprocessor (empty outputs to all)
- `type`: `SideFluxIntegral` (Default)
- `use_displaced_mesh`: Whether or not this object should use the displaced mesh for computation. Note that in the case this is true but no displacements are provided in the Mesh block the undisplaced mesh will still be used (Default = 0)
- `variable`: The name of the variable that this boundary condition applies to (Required)

The `SideIntegralVariablePostprocessor` needs following parameters:

- `boundary`: The list of boundary IDs from the mesh where this boundary condition applies
- `execute_on`: Set to (residual|jacobian|timestep|timestep\_begin|custom) to execute only at that moment (Default = timestep)
- `outputs`: Vector of output names were you would like to restrict the output of this postprocessor (empty outputs to all)
- `type`: `SideIntegralVariablePostprocessor` (Default)



- `use_displaced_meshn`: Whether or not this object should use the displaced mesh for computation. Note that in the case this is true but no displacements are provided in the Mesh block the undisplaced mesh will still be used (Default = 0)
- `variable`: The name of the variable that this boundary condition applies to (Required)

The `SolidMaterialProperties` needs following parameters:

- `Cp`: Specific heat
- `execute_on`: Set to (residual|jacobian|timestep|timestep\_begin|custom) to execute only at that moment (Default = timestep)
- `k`: Thermal conductivity
- `rho`: Density
- `type`: `SolidMaterialProperties` (Default)
- `use_displaced_mesh`: Whether or not this object should use the displaced mesh for computation. Note that in the case this is true but no displacements are provided in the Mesh block the undisplaced mesh will still be used (Default = 0)

The `SolutionUserObject` needs following parameters:

- `coord_factor`: This name has been deprecated. Please use translation instead
- `coord_scale`: This name has been deprecated. Please use scale instead
- `elemental_variables`: The name of the element variables from the file you want to use for values.
- `es`: The name of the file holding the equation system info in xda format (xda only).
- `execute_on`: Set to (residual|jacobian|timestep|timestep\_begin|custom) to execute only at that moment (Default = timestep\_begin)
- `legacy_read`: Utilize the legacy call to `EquationsSystems::read`, this may be required for older XDA/XDR files (Default = 0)
- `mesh`: The name of the mesh file (must be xda or exodusII file) (Required)
- `nodal_variables`: The name of the nodal variables from the file you want to use for values.
- `rotation0_angle`: Anticlockwise rotation angle (in degrees) to use for rotation about `rotation0_vector` (Default = 0)
- `rotation0_vector`: Vector about which to rotate points of the simulation (Default = 0 0 1)
- `rotation1_angle`: Anticlockwise rotation angle (in degrees) to use for rotation about `rotation1_vector` (Default = 0)
- `rotation1_vector`: Vector about which to rotate points of the simulation (Default = 0 0 1)
- `scale`: Scale factor for points in the simulation (Default = 1 1 1)
- `scale_multiplier`: Scale multiplying factor for points in the simulation (Default = 1 1 1)
- `system`: The name of the system to pull values out of (xda only) (Default = NonlinearSystem)
- `timestep`: Index of the single timestep used (exodusII only). If not supplied, time interpolation will occur (Default = -1)
- `transformation_order`: The order to perform the operations in. Define  $R_0$  to be the rotation matrix encoded by `rotation0_vector` and `rotation0_angle`. Similarly for  $R_1$ . Denote the scale by  $s$ , the `scale_multiplier` by  $m$ , and the translation by  $t$ . Then, given a point  $x$  in the simulation, if `transformation_order = 'rotation0 scale_multiplier translation scale rotation1'` then form  $p = R_1*(R_0*x*m - t)/s$ . Then the values provided by the `SolutionUserObject` at point  $x$  in the simulation are the variable values at point  $p$  in the mesh (Default = translation scale)
- `translation`: Translation factors for x,y,z coordinates of the simulation (Default = 0 0 0)
- `type`: `SolutionUserObject` (Default)
- `use_displaced_mesh`: Whether or not this object should use the displaced mesh for computation. Note that in the case this is true but no displacements are provided in the Mesh block the undisplaced mesh will still be used (Default = 0)

The `SpecificInterfacialAreaCurve` needs following parameters:

- `execute_on`: Set to (residual|jacobian|timestep|timestep\_begin|custom) to execute only at that moment (Default = timestep)
- `max_value`: Max value for the curve (Required)
- `type`: SpecificInterfacialAreaCurve (Default)
- `use_displaced_mesh`: Whether or not this object should use the displaced mesh for computation. Note that in the case this is true but no displacements are provided in the Mesh block the undisplaced mesh will still be used (Default = 0)

The `SpecificThermalEnergy` needs following parameters:

- `boundary`: The list of boundary IDs from the mesh where this boundary condition applies
- `execute_on`: Set to (residual|jacobian|timestep|timestep\_begin|custom) to execute only at that moment (Default = timestep)
- `inlet`: Inlet boundary ID (Required)
- `outputs`: Vector of output names were you would like to restrict the output of this postprocessor (empty outputs to all)
- `rho`: Density (Required)
- `rhoE`: Total energy (Required)
- `type`: SpecificThermalEnergy (Default)
- `u`: Velocity (Required)
- `use_displaced_mesh`: Whether or not this object should use the displaced mesh for computation. Note that in the case this is true but no displacements are provided in the Mesh block the undisplaced mesh will still be used (Default = 0)

The `StiffenedGasEquationOfState` needs following parameters:

- `cv`: Specific heat
- `execute_on`: Set to (residual|jacobian|timestep|timestep\_begin|custom) to execute only at that moment (Default = timestep)
- `gamma`: TODO: describe me
- `p_inf`: TODO: describe me
- `q`: TODO: describe me
- `q_prime`: TODO: describe me
- `type`: StiffenedGasEquationOfState (Default)
- `use_displaced_mesh`: Whether or not this object should use the displaced mesh for computation. Note that in the case this is true but no displacements are provided in the Mesh block the undisplaced mesh will still be used (Default = 0)

The `StiffenedGasEquationOfStateLiquid` needs following parameters:

- `cv`: Specific heat (Default = 1816)
- `cv_vapor`: Specific heat (Default = 1040)
- `execute_on`: Set to (residual|jacobian|timestep|timestep\_begin|custom) to execute only at that moment (Default = timestep)
- `gamma`: TODO: describe me (Default = 2.35)
- `gamma_vapor`: TODO: describe me (Default = 1.43)
- `p_inf`: TODO: describe me (Default = 1e+09)
- `p_inf_vapor`: TODO: describe me (Default = 0)
- `q`: TODO: describe me (Default = -1.167e+06)
- `q_prime`: TODO: describe me (Default = 0)
- `q_prime_vapor`: TODO: describe me (Default = -23000)
- `q_vapor`: TODO: describe me (Default = 2.03e+06)
- `type`: StiffenedGasEquationOfStateLiquid (Default)

- `use_displaced_mesh`: Whether or not this object should use the displaced mesh for computation. Note that in the case this is true but no displacements are provided in the Mesh block the undisplaced mesh will still be used (Default = 0)

The `StiffenedGasEquationOfStateLiquidFluidProps` needs following parameters:

- `Pr`: Prandtl Number (Default = 0.9)
- `beta`: Coefficient of thermal expansion (Default = 0.00046)
- `cv`: Specific heat (Default = 1816)
- `cv_vapor`: Specific heat (Default = 1040)
- `execute_on`: Set to (residual|jacobian|timestep|timestep\_begin|custom) to execute only at that moment (Default = timestep)
- `gamma`: TODO: describe me (Default = 2.35)
- `gamma_vapor`: TODO: describe me (Default = 1.43)
- `k`: Thermal conductivity, W/(m-K) (Default = 0.6)
- `mu`: Dynamic viscosity, [Pa s] (Default = 0.001)
- `p_inf`: TODO: describe me (Default = 1e+09)
- `p_inf_vapor`: TODO: describe me (Default = 0)
- `q`: TODO: describe me (Default = -1.167e+06)
- `q_prime`: TODO: describe me (Default = 0)
- `q_prime_vapor`: TODO: describe me (Default = -23000)
- `q_vapor`: TODO: describe me (Default = 2.03e+06)
- `type`: `StiffenedGasEquationOfStateLiquidFluidProps` (Default)
- `use_displaced_mesh`: Whether or not this object should use the displaced mesh for computation. Note that in the case this is true but no displacements are provided in the Mesh block the undisplaced mesh will still be used (Default = 0)

The `StiffenedGasEquationOfStateVapor` needs following parameters:

- `cv`: Specific heat (Default = 1040)
- `execute_on`: Set to (residual|jacobian|timestep|timestep\_begin|custom) to execute only at that moment (Default = timestep)
- `gamma`: TODO: describe me (Default = 1.43)
- `p_inf`: TODO: describe me (Default = 0)
- `q`: TODO: describe me (Default= 2.03e+06)
- `q_prime`: TODO: describe me (Default= -23000)
- `type`: `StiffenedGasEquationOfStateVapor` (Default)
- `use_displaced_mesh`: Whether or not this object should use the displaced mesh for computation. Note that in the case this is true but no displacements are provided in the Mesh block the undisplaced mesh will still be used (Default = 0)

The `StiffenedGasEquationOfStateVaporFluidProps` needs following paramters

- `Pr`: Prandtl Number (Default= 1.6)
- `Cv`: Specific heat (Default= 1040)
- `execute_on`: Set to (residual|jacobian|timestep|timestep\_begin|custom) to execute only at that moment (Default = timestep)
- `gamma`: TODO: describe me (Default= 1.43)
- `k`: Thermal conductivity, W/(m-K) (Default= 0.07)
- `mu`: Dynamic viscosity, [Pa s] (Default= 2e-05)
- `p_inf`: TODO: describe me (Default= 0)
- `q`: TODO: describe me (Default= 2.03e+06)
- `q_prime`: TODO: describe me (Default= -23000)
- `type`: `StiffenedGasEquationOfStateVaporFluidProps` (Default)

- `use_displaced_mesh`: Whether or not this object should use the displaced mesh for computation. Note that in the case this is true but no displacements are provided in the Mesh block the undisplaced mesh will still be used (Default = 0)

The `ThermalCond` needs following parameters:

- `T_hot`: Temperature on 'hot' boundary in K (Required)
- `boundary`: The list of boundary IDs from the mesh where this boundary condition applies
- `dx`: Length between sides of sample in `length_scale` (Required)
- `execute_on`: Set to (residual|jacobian|timestep|timestep\_begin|custom) to execute only at that moment (Default = timestep)
- `flux`: Heat flux out of 'cold' boundary in solution units, should always be positive (Required)
- `k0`: Initial value of the thermal conductivity (Default = 0)
- `length_scale`: lengthscale of the solution (Default = 1e-08)
- `outputs`: Vector of output names were you would like to restrict the output of this postprocessor (empty outputs to all)
- `type`: `ThermalCond` (Default)
- `use_displaced_mesh`: Whether or not this object should use the displaced mesh for computation. Note that in the case this is true but no displacements are provided in the Mesh block the undisplaced mesh will still be used (Default = 0)
- `variable`: The name of the variable that this boundary condition applies to (Required)
- The `TimestepSize` needs following parameters:
  - `execute_on`: Set to (residual|jacobian|timestep|timestep\_begin|custom) to execute only at that moment (Default = timestep)
  - `outputs`: Vector of output names were you would like to restrict the output of this postprocessor (empty outputs to all)
  - `type`: `TimestepSize` (Default)
- `use_displaced_mesh`: Whether or not this object should use the displaced mesh for computation. Note that in the case this is true but no displacements are provided in the Mesh block the undisplaced mesh will still be used (Default=0)

The `TotalVariableValue` needs following parameters:

- `execute_on`: Set to (residual|jacobian|timestep|timestep\_begin|custom) to execute only at that moment (Default = timestep)
- `outputs`: Vector of output names were you would like to restrict the output of this postprocessor (empty outputs to all)
- `type`: `TotalVariableValue` (Default)
- `use_displaced_mesh`: Whether or not this object should use the displaced mesh for computation. Note that in the case this is true but no displacements are provided in the Mesh block the undisplaced mesh will still be used (Default = 0)
- `value`: The name of the postprocessor
- The `TwoPhaseStiffenedGasEOS` needs following parameters:
  - `execute_on`: Set to (residual|jacobian|timestep|timestep\_begin|custom) to execute only at that moment (Default = timestep)
  - `type`: `TwoPhaseStiffenedGasEOS` (Default)
- `use_displaced_meshn`: Whether or not this object should use the displaced mesh for computation. Note that in the case this is true but no displacements are provided in the Mesh block the undisplaced mesh will still be used (Default = 0)

The `ValveMechanism` needs following parameters:

- `execute_on`: Set to (residual|jacobian|timestep|timestep\_begin|custom) to execute only at that moment (Default = timestep)
- `fullopen_area`: The cross sectional area of the valve at fully open (Required)

- `initial_status`: The current valve open/close status (Required)
- `node_ids`: Node ids for the valve inlet and outlet, respectively (Required)
- `response_time`: The response time the valve needs to open/close (Required)
- `trigger_time`: The time the valve is triggered (Required)
- `type`: ValveMechanism (Default)
- `use_displaced_mesh`: Whether or not this object should use the displaced mesh for computation. Note that in the case this is true but no displacements are provided in the Mesh block the undisplaced mesh will still be used (Default = 0)

The ValveMechanismBase needs following parameters:

- `execute_on`: Set to (residual|jacobian|timestep|timestep\_begin|custom) to execute only at that moment (Default = timestep)
- `fullopen_area`: The cross sectional area of the valve at fully open (Required)
- `initial_status`: The current valve open/close status (Required)
- `node_ids`: Node ids for the valve inlet and outlet, respectively (Required)
- `response_time`: The response time the valve needs to open/close (Required)
- `type`: ValveMechanismBase (Default)
- `use_displaced_meshn`: Whether or not this object should use the displaced mesh for computation. Note that in the case this is true but no displacements are provided in the Mesh block the undisplaced mesh will still be used (Default = 0)

The VolumePostprocessor needs following parameters:

- `block`: The list of block ids (SubdomainID) that this object will be applied
- `execute_on`: Set to (residual|jacobian|timestep|timestep\_begin|custom) to execute only at that moment (Default = timestep)
- `outputs`: Vector of output names were you would like to restrict the output of this postprocessor (empty outputs to all)
- `seed`: The seed for the master random number generator (Default = 0)
- `type`: VolumePostprocessor (Default)
- `use_displaced_mesh`: Whether or not this object should use the displaced mesh for computation. Note that in the case this is true but no displacements are provided in the Mesh block the undisplaced mesh will still be used (Default = 0)

### **Materials block**

- `type`: Materials (Required)

The AreaPostprocessor needs following parameters:

- `boundary`: The list of boundary IDs from the mesh where this boundary condition applies
- `execute_on`: Set to (residual|jacobian|timestep|timestep\_begin|custom) to execute only at that moment (Default = timestep)
- `outputs`: Vector of output names were you would like to restrict the output of this postprocessor (empty outputs to all)
- `type`: AreaPostprocessor (Default)
- `use_displaced_mesh`: Whether or not this object should use the displaced mesh for computation. Note that in the case this is true but no displacements are provided in the Mesh block the undisplaced mesh will still be used (Default = 0)

The AverageElementSize needs following parameters:

- block: The list of block ids (SubdomainID) that this object will be applied
- execute\_on: Set to (residual|jacobian|timestep|timestep\_begin|custom) to execute only at that moment (Default = timestep)
- outputs: Vector of output names were you would like to restrict the output of this postprocessor (empty outputs to all)
- seed: The seed for the master random number generator (Default = 0)
- type: AverageElementSize (Default)
- use\_displaced\_mesh: Whether or not this object should use the displaced mesh for computation. Note that in the case this is true but no displacements are provided in the Mesh block the undisplaced mesh will still be used (Default = 0)
- variable: The name of the variable that this object operates on (Required)

The AverageNodalVariableValue needs following parameters:

- block: The list of block ids (SubdomainID) that this object will be applied
- boundary: The list of boundary IDs from the mesh where this boundary condition applies
- execute\_on: Set to (residual|jacobian|timestep|timestep\_begin|custom) to execute only at that moment (Default = timestep)
- outputs: Vector of output names were you would like to restrict the output of this postprocessor (empty outputs to all)
- seed: The seed for the master random number generator (Default = 0)
- type: AverageNodalVariableValue (Default)
- use\_displaced\_mesh: Whether or not this object should use the displaced mesh for computation. Note that in the case this is true but no displacements are provided in the Mesh block the undisplaced mesh will still be used (Default = 0)
- variable: The name of the variable that this postprocessor operates on (Required)

The BarotropicEquationOfState needs following parameters:

- a2:  $dp/d(\rho)$  (Required)
- execute\_on: Set to (residual|jacobian|timestep|timestep\_begin|custom) to execute only at that moment (Default = timestep)
- p\_0: Reference pressure (Required)
- rho\_0: Reference density (Required)
- type: BarotropicEquationOfState (Default)
- use\_displaced\_mesh: Whether or not this object should use the displaced mesh for computation. Note that in the case this is true but no displacements are provided in the Mesh block the undisplaced mesh will still be used (Default = 0)

The CInterfacePosition needs following parameters:

- RefVal: Variable value used to determine interface position (Default = 0.5)
- block: The list of block ids (SubdomainID) that this object will be applied
- boundary: The list of boundary IDs from the mesh where this boundary condition applies
- direction\_index: The index of the direction the position is measured in (Required)
- execute\_on: Set to (residual|jacobian|timestep|timestep\_begin|custom) to execute only at that moment (Default = timestep)
- outputs: Vector of output names were you would like to restrict the output of this postprocessor (empty outputs to all)
- seed: The seed for the master random number generator (Default = 0)
- type: CInterfacePosition (Default)

- `use_displaced_mesh`: Whether or not this object should use the displaced mesh for computation. Note that in the case this is true but no displacements are provided in the Mesh block the undisplaced mesh will still be used (Default = 0)
- `variable`: The name of the variable that this postprocessor operates on (Required)

The `CheckValveMechanism` needs following parameters:

- `back_pressure`: pressure difference for the valve to open, [Pa] (Required)
- `delta_z`: height change from inlet to outlet, [m] (Required)
- `execute_on`: Set to (residual|jacobian|timestep|timestep\_begin|custom) to execute only at that moment (Default = timestep)
- `fullopen_area`: The cross sectional area of the valve at fully open (Required)
- `g`: gravity magnitude (Required)
- `initial_status`: The current valve open/close status (Required)
- `node_ids`: Node ids for the valve inlet and outlet, respectively (Required)
- `response_time`: The response time the valve needs to open/close (Required)
- `type`: `CheckValveMechanism` (Default)
- `use_displaced_mesh`: Whether or not this object should use the displaced mesh for computation. Note that in the case this is true but no displacements are provided in the Mesh block the undisplaced mesh will still be used (Default = 0)

The `CompressibleValveMechanism` needs following parameters:

- `delta_p_close`: Minimal pressure difference for closing a relieve valve, [Pa] (Default = -1e+100)
- `delta_p_open`: Minimal pressure difference for opening a relieve valve, [Pa] (Default = 1e+100)
- `execute_on`: Set to (residual|jacobian|timestep|timestep\_begin|custom) to execute only at that moment (Default = timestep)
- `full_open_area`: The cross sectional area of the valve at fully open (Required)
- `initial_status`: The current valve open/close status (Required)
- `is_actuated_by_physics`: True if the valve can only be actuated by physics, such as pressure difference (Required)
- `is_actuated_by_pressure_difference`: True if the valve is actuated by pressure difference; false if by inlet pressure (Required)
- `response_time_close`: The response time the valve needs to close (Required)
- `response_time_open`: The response time the valve needs to open (Required)
- `type`: `CompressibleValveMechanism` (Default)
- `use_displaced_mesh`: Whether or not this object should use the displaced mesh for computation. Note that in the case this is true but no displacements are provided in the Mesh block the undisplaced mesh will still be used (Default = 0)
- `valve_action`: Valve control action; only for controllable valves (Required)

The `DifferencePostprocessor` needs following parameters:

- `execute_on`: Set to (residual|jacobian|timestep|timestep\_begin|custom) to execute only at that moment (Default = timestep)
- `outputs`: Vector of output names were you would like to restrict the output of this postprocessor (empty outputs to all)
- `type`: `DifferencePostprocessor` (Default)
- `use_displaced_mesh`: Whether or not this object should use the displaced mesh for computation. Note that in the case this is true but no displacements are provided in the Mesh block the undisplaced mesh will still be used (Default = 0)
- `value1`: First value (Required)
- `value2`: Second value (Required)

The `ElementAverageTimeDerivative` needs following parameters:

- `block`: The list of block ids (SubdomainID) that this object will be applied
- `execute_on`: Set to (residual|jacobian|timestep|timestep\_begin|custom) to execute only at that moment (Default = timestep)
- `Description`: Vector of output names were you would like to restrict the output of this postprocessor (empty outputs to all)
- `seed`: The seed for the master random number generator (Default = 0)
- `type`: `ElementAverageTimeDerivative` (Default)
- `use_displaced_mesh`: Whether or not this object should use the displaced mesh for computation. Note that in the case this is true but no displacements are provided in the Mesh block the undisplaced mesh will still be used (Default = 0)
- `variable`: The name of the variable that this object operates on (Required)

The `ElementAverageValue` needs following parameters:

- `block`: The list of block ids (SubdomainID) that this object will be applied
- `execute_on`: Set to (residual|jacobian|timestep|timestep\_begin|custom) to execute only at that moment (Default = timestep)
- `outputs`: Vector of output names were you would like to restrict the output of this postprocessor (empty outputs to all)
- `seed`: The seed for the master random number generator (Default = 0)
- `type`: `ElementAverageValue` (Default)
- `use_displaced_meshn`: Whether or not this object should use the displaced mesh for computation. Note that in the case this is true but no displacements are provided in the Mesh block the undisplaced mesh will still be used (Default = 0)
- `variable`: The name of the variable that this object operates on (Required)

The `ElementExtremeValue` needs following parameters:

- `block`: The list of block ids (SubdomainID) that this object will be applied
- `execute_on`: Set to (residual|jacobian|timestep|timestep\_begin|custom) to execute only at that moment (Default = timestep)
- `outputs`: Vector of output names were you would like to restrict the output of this postprocessor (empty outputs to all)
- `seed`: The seed for the master random number generator (Default = 0)
- `type`: `ElementExtremeValue` (Default)
- `use_displaced_mesh`: Whether or not this object should use the displaced mesh for computation. Note that in the case this is true but no displacements are provided in the Mesh block the undisplaced mesh will still be used (Default = 0)
- `value_type`: Type of extreme value to return. 'max' returns the maximum value. 'min' returns the minimum value (Default = max)
- `variable`: The name of the variable that this postprocessor operates on (Required)

The `ElementH1Error` needs following parameters:

- `block`: The list of block ids (SubdomainID) that this object will be applied
- `execute_on`: Set to (residual|jacobian|timestep|timestep\_begin|custom) to execute only at that moment (Default = timestep)
- `function`: The analytic solution to compare against (Required)
- `outputs`: Vector of output names were you would like to restrict the output of this postprocessor (empty outputs to all)
- `seed`: The seed for the master random number generator (Default = 0)
- `type`: `ElementH1Error` (Default)



- `use_displaced_mesh`: Whether or not this object should use the displaced mesh for computation. Note that in the case this is true but no displacements are provided in the Mesh block the undisplaced mesh will still be used (Default = 0)
- `variable`: The name of the variable that this object operates on (Required)

The `ElementH1SemiError` needs following parameters:

- `block`: The list of block ids (SubdomainID) that this object will be applied
- `execute_on`: Set to (residual|jacobian|timestep|timestep\_begin|custom) to execute only at that moment (Default = timestep)
- `function`: The analytic solution to compare against (Required)
- `outputs`: Vector of output names were you would like to restrict the output of this postprocessor (empty outputs to all)
- `seed`: The seed for the master random number generator (Default = 0)
- `type`: `ElementH1SemiError` (Default)
- `use_displaced_mesh`: Whether or not this object should use the displaced mesh for computation. Note that in the case this is true but no displacements are provided in the Mesh block the undisplaced mesh will still be used (Default = 0)
- `variable`: The name of the variable that this object operates on (Required)

The `ElementIntegralMaterialProperty` needs following parameters:

- `block`: The list of block ids (SubdomainID) that this object will be applied
- `execute_on`: Set to (residual|jacobian|timestep|timestep\_begin|custom) to execute only at that moment (Default = timestep)
- `mat_prop`: The name of the material property (Required)
- `outputs`: Vector of output names were you would like to restrict the output of this postprocessor (empty outputs to all)
- `seed`: The seed for the master random number generator (Default = 0)
- `type`: `ElementIntegralMaterialProperty` (Default)
- `use_displaced_mesh`: Whether or not this object should use the displaced mesh for computation. Note that in the case this is true but no displacements are provided in the Mesh block the undisplaced mesh will still be used (Default = 0)

The `ElementIntegralVariablePostprocessor` needs following parameters:

- `block`: The list of block ids (SubdomainID) that this object will be applied
- `execute_on`: Set to (residual|jacobian|timestep|timestep\_begin|custom) to execute only at that moment (Default = timestep)
- `outputs`: Vector of output names were you would like to restrict the output of this postprocessor (empty outputs to all)
- `seed`: The seed for the master random number generator (Default = 0)
- `type`: `ElementIntegralVariablePostprocessor` (Default)
- `use_displaced_mesh`: Whether or not this object should use the displaced mesh for computation. Note that in the case this is true but no displacements are provided in the Mesh block the undisplaced mesh will still be used (Default = 0)

`variable`: The name of the variable that this object operates on (Required)

The `ElementIntegralVariableUserObject` needs following parameters:

- `block`: The list of block ids (SubdomainID) that this object will be applied
- `execute_on`: Set to (residual|jacobian|timestep|timestep\_begin|custom) to execute only at that moment (Default = timestep)

- seed: The seed for the master random number generator (Default = 0)
- type: ElementIntegralVariableUserObject (Default)
- use\_displaced\_mesh: Whether or not this object should use the displaced mesh for computation. Note that in the case this is true but no displacements are provided in the Mesh block the undisplaced mesh will still be used (Default = 0)
- variable: The name of the variable that this object operates on (Required)

The ElementL2Error needs following parameters:

- block: The list of block ids (SubdomainID) that this object will be applied
- execute\_on: Set to (residual|jacobian|timestep|timestep\_begin|custom) to execute only at that moment (Default = timestep)
- function: The analytic solution to compare against (Required)
- outputs: Vector of output names were you would like to restrict the output of this postprocessor (empty outputs to all)
- seed: The seed for the master random number generator (Default = 0)
- type: ElementL2Error (Default)
- use\_displaced\_mesh: Whether or not this object should use the displaced mesh for computation. Note that in the case this is true but no displacements are provided in the Mesh block the undisplaced mesh will still be used (Default = 0)
- variable: The name of the variable that this object operates on (Required)

The ElementL2Norm needs following parameters:

- block: The list of block ids (SubdomainID) that this object will be applied
- execute\_on: Set to (residual|jacobian|timestep|timestep\_begin|custom) to execute only at that moment (Default = timestep)
- outputs: Vector of output names were you would like to restrict the output of this postprocessor (empty outputs to all)
- seed: The seed for the master random number generator (Default = 0)
- type: ElementL2Norm (Default)
- use\_displaced\_mesh: Whether or not this object should use the displaced mesh for computation. Note that in the case this is true but no displacements are provided in the Mesh block the undisplaced mesh will still be used (Default = 0)
- variable: The name of the variable that this object operates on (Required)

The ElementVectorL2Error needs following parameters:

- block: The list of block ids (SubdomainID) that this object will be applied
- execute\_on: Set to (residual|jacobian|timestep|timestep\_begin|custom) to execute only at that moment (Default = timestep)
- function\_x: The analytic solution to compare against (Required)
- function\_y: The analytic solution to compare against (Default = 0)
- function\_z: The analytic solution to compare against (Default = 0)
- outputs: Vector of output names were you would like to restrict the output of this postprocessor (empty outputs to all)
- seed: The seed for the master random number generator (Default = 0)
- type: ElementVectorL2Error (Default)
- use\_displaced\_mesh: Whether or not this object should use the displaced mesh for computation. Note that in the case this is true but no displacements are provided in the Mesh block the undisplaced mesh will still be used (Default = 0)
- var\_x: The FE solution in x direction (Required)
- var\_y: The FE solution in y direction (Default = 0)

- var\_z: The FE solution in z direction (Default = 0)
- The ElementalVariableValue needs following parameters:
- elementid: The ID of the element where we monitor (Required)
- execute\_on: Set to (residual|jacobian|timestep|timestep\_begin|custom) to execute only at that moment (Default = timestep)
- outputs: Vector of output names were you would like to restrict the output of this postprocessor (empty outputs to all)
- type: ElementalVariableValue (Default)
- use\_displaced\_mesh: Whether or not this object should use the displaced mesh for computation. Note that in the case this is true but no displacements are provided in the Mesh block the undisplaced mesh will still be used (Default = 0)
- variable: The variable to be monitored (Required)

The EmptyPostprocessor needs following parameters:

- execute\_on: Set to (residual|jacobian|timestep|timestep\_begin|custom) to execute only at that moment (Default = timestep)
- outputs: Vector of output names were you would like to restrict the output of this postprocessor (empty outputs to all)
- type: EmptyPostprocessor (Default)
- use\_displaced\_mesh: Whether or not this object should use the displaced mesh for computation. Note that in the case this is true but no displacements are provided in the Mesh block the undisplaced mesh will still be used (Default = 0)

The FuelReactivity needs following parameters:

- avg\_fuel\_temp: The name of the user object that computes average fuel temperature (Required)
- avg\_temp\_0: Average temperature of the fuel at time  $t=0$  (Required)
- execute\_on: Set to (residual|jacobian|timestep|timestep\_begin|custom) to execute only at that moment (Default = timestep)
- fuelReactivity: Doppler reactivity table
- fuelTempCoefficient: Fuel temperature coefficient
- fuelTemperatures: Fuel temperature table for reactivity
- fuelWeightingFactor: Fuel weighting factor
- n\_layers: The number of layers in the fuel block (Required)
- outputs: Vector of output names were you would like to restrict the output of this postprocessor (empty outputs to all)
- type: FuelReactivity (Default)
- use\_displaced\_mesh: Whether or not this object should use the displaced mesh for computation. Note that in the case this is true but no displacements are provided in the Mesh block the undisplaced mesh will still be used (Default = 0)

The INSExplicitTimestepSelector needs following parameters:

- beta:  $0 < \beta < 1$ , choose some fraction of the limiting timestep size (Required)
- block: The list of block ids (SubdomainID) that this object will be applied
- execute\_on: Set to (residual|jacobian|timestep|timestep\_begin|custom) to execute only at that moment (Default = timestep)
- mu: dynamic viscosity (Required)
- outputs: Vector of output names were you would like to restrict the output of this postprocessor (empty outputs to all)
- rho: density (Required)
- seed: The seed for the master random number generator (Default = 0)

- type: INSExplicitTimestepSelector (Default)
- use\_displaced\_mesh: Whether or not this object should use the displaced mesh for computation. Note that in the case this is true but no displacements are provided in the Mesh block the undisplaced mesh will still be used (Default = 0)
- vel\_mag: Velocity magnitude (Default) (Required)

The IdealGasEquationOfState needs following parameters:

- R: Gas constant (Required)
- execute\_on: Set to (residual|jacobian|timestep|timestep\_begin|custom) to execute only at that moment (Default = timestep)
- gamma: gamma value (cp/cv) (Required)
- type: IdealGasEquationOfState (Default)
- use\_displaced\_mesh: Whether or not this object should use the displaced mesh for computation. Note that in the case this is true but no displacements are provided in the Mesh block the undisplaced mesh will still be used (Default = 0)

The InternalVolume needs following parameters

- addition: An additional volume to be included in the internal volume calculation (Default = 0)
- boundary: The list of boundary IDs from the mesh where this boundary condition applies
- component: The component to use in the integration (Default = 1)
- execute\_on: Set to (residual|jacobian|timestep|timestep\_begin|custom) to execute only at that moment (Default = timestep)
- outputs: Vector of output names were you would like to restrict the output of this postprocessor (empty outputs to all)
- scale\_factor: A scale factor to be applied to the internal volume calculation (Default = 1)
- type: InternalVolume (Default)
- use\_displaced\_mesh: Whether or not this object should use the displaced mesh for computation. Note that in the case this is true but no displacements are provided in the Mesh block the undisplaced mesh will still be used (Default = 1)

The JumpGradientInterface needs following parameters:

- block: The list of block ids (SubdomainID) that this object will be applied
- execute\_on: Set to (residual|jacobian|timestep|timestep\_begin|custom) to execute only at that moment (Default = timestep)
- jump: the name of the variable that will store the jump (Required)
- type: JumpGradientInterface (Default)
- use\_displaced\_mesh: Whether or not this object should use the displaced mesh for computation. Note that in the case this is true but no displacements are provided in the Mesh block the undisplaced mesh will still be used (Default = 0)
- variable: the variable name this userobject is acting on (Required)

The LayeredAverage needs following parameters:

- average\_radius: When using 'average' sampling this is how the number of values both above and below the layer that will be averaged (Default = 1)
- block: The list of block ids (SubdomainID) that this object will be applied
- bounds: The 'bounding' positions of the layers i.e.: '0, 1.2, 3.7, 4.2' will mean 3 layers between those positions.
- direction: The direction of the layers (Required)
- execute\_on: Set to (residual|jacobian|timestep|timestep\_begin|custom) to execute only at that moment (Default = timestep)

- `num_layers`: The number of layers.
- `sample_type`: How to sample the layers. 'direct' means get the value of the layer the point falls in directly (or average if that layer has no value). 'interpolate' does a linear interpolation between the two closest layers. 'average' averages the two closest layers (Default = direct)
- `seed`: The seed for the master random number generator (Default = 0)
- `type`: LayeredAverage (Default)
- `use_displaced_mesh`: Whether or not this object should use the displaced mesh for computation. Note that in the case this is true but no displacements are provided in the Mesh block the undisplaced mesh will still be used (Default = 0)
- `variable`: The name of the variable that this object operates on (Required)

The LayeredIntegral needs following parameters:

- `average_radius`: When using 'average' sampling this is how the number of values both above and below the layer that will be averaged (Default = 1)
- `block`: The list of block ids (SubdomainID) that this object will be applied
- `bounds`: The 'bounding' positions of the layers i.e.: '0, 1.2, 3.7, 4.2' will mean 3 layers between those positions
- `direction`: The direction of the layers (Required)
- `execute_on`: Set to (residual|jacobian|timestep|timestep\_begin|custom) to execute only at that moment (Default = timestep)
- `num_layers`: The number of layers.
- `sample_type`: How to sample the layers. 'direct' means get the value of the layer the point falls in directly (or average if that layer has no value). 'interpolate' does a linear interpolation between the two closest layers. 'average' averages the two closest layers (Default = direct)
- `seed`: The seed for the master random number generator (Default = 0)
- `type`: LayeredIntegral (Default)
- `use_displaced_mesh`: Whether or not this object should use the displaced mesh for computation. Note that in the case this is true but no displacements are provided in the Mesh block the undisplaced mesh will still be used (Default = 0)
- `variable`: The name of the variable that this object operates on (Required)

The LayeredSideAverage needs following parameters:

- `average_radius`: When using 'average' sampling this is how the number of values both above and below the layer that will be averaged (Default = 1)
- `boundary`: The list of boundary IDs from the mesh where this boundary condition applies
- `bounds`: The 'bounding' positions of the layers i.e.: '0, 1.2, 3.7, 4.2' will mean 3 layers between those positions.
- `direction`: The direction of the layers (Required)
- `execute_on`: Set to (residual|jacobian|timestep|timestep\_begin|custom) to execute only at that moment (Default = timestep)
- `num_layers`: The number of layers.
- `sample_type`: How to sample the layers. 'direct' means get the value of the layer the point falls in directly (or average if that layer has no value). 'interpolate' does a linear interpolation between the two closest layers. 'average' averages the two closest layers (Default = direct)
- `type`: LayeredSideAverage (Default)
- `use_displaced_mesh`: Whether or not this object should use the displaced mesh for computation. Note that in the case this is true but no displacements are provided in the Mesh block the undisplaced mesh will still be used (Default = 0)
- `variable`: The name of the variable that this boundary condition applies to (Required)

The LayeredSideFluxAverage needs following parameters:

- `average_radius`: When using 'average' sampling this is how the number of values both above and below the layer that will be averaged (Default = 1)
- `boundary`: The list of boundary IDs from the mesh where this boundary condition applies
- `bounds`: The 'bounding' positions of the layers i.e.: '0, 1.2, 3.7, 4.2' will mean 3 layers between those positions.
- `diffusivity`: The name of the diffusivity material property that will be used in the flux computation (Required)
- `direction`: The direction of the layers (Required)
- `execute_on`: Set to (residual|jacobian|timestep|timestep\_begin|custom) to execute only at that moment (Default = timestep)
- `num_layers`: The number of layers.
- `sample_type`: How to sample the layers. 'direct' means get the value of the layer the point falls in directly (or average if that layer has no value). 'interpolate' does a linear interpolation between the two closest layers. 'average' averages the two closest layers (Default = direct)
- `type`: LayeredSideFluxAverage (Default)
- `use_displaced_mesh`: Whether or not this object should use the displaced mesh for computation. Note that in the case this is true but no displacements are provided in the Mesh block the undisplaced mesh will still be used (Default = 0)
- `variable`: The name of the variable that this boundary condition applies to (Required)

The `LayeredSideIntegral` needs following parameters:

- `average_radius`: When using 'average' sampling this is how the number of values both above and below the layer that will be averaged (Default = 1)
- `boundary`: The list of boundary IDs from the mesh where this boundary condition applies
- `bounds`: The 'bounding' positions of the layers i.e.: '0, 1.2, 3.7, 4.2' will mean 3 layers between those positions.
- `direction`: The direction of the layers (Required)
- `execute_on`: Set to (residual|jacobian|timestep|timestep\_begin|custom) to execute only at that moment (Default = timestep)
- `num_layers`: The number of layers.
- `sample_type`: How to sample the layers. 'direct' means get the value of the layer the point falls in directly (or average if that layer has no value). 'interpolate' does a linear interpolation between the two closest layers. 'average' averages the two closest layers (Default = direct)
- `type`: LayeredSideIntegral (Default)
- `use_displaced_mesh`: Whether or not this object should use the displaced mesh for computation. Note that in the case this is true but no displacements are provided in the Mesh block the undisplaced mesh will still be used (Default = 0)
- `variable`: The name of the variable that this boundary condition applies to (Required)

The `ModeratorReactivity` needs following parameters:

- `block`: The list of block ids (SubdomainID) that this object will be applied
- `elem_offset`: The ID of the first element (to compute the layer ID) (Required)
- `execute_on`: Set to (residual|jacobian|timestep|timestep\_begin|custom) to execute only at that moment (Default = timestep)
- `modDensity`: Moderator density table for reactivity (Required)
- `modReactivity`: Moderator reactivity (Required)
- `modTempCoefficient`: Moderator temperature coefficient (Required)
- `modWeightingFactor`: Moderator weighting factor (Required)
- `moderator_density`: Density of the moderator (i.e. fluid) (Required)
- `moderator_temp`: Temperature of the moderator (i.e. fluid) (Required)
- `outputs`: Vector of output names were you would like to restrict the output of this postprocessor (empty outputs to all)

- seed: The seed for the master random number generator (Default = 0)
- temp\_0: Temperature of the moderator (i.e. fluid) at time t=0 (Required)
- type: ModeratorReactivity (Default)
- use\_displaced\_mesh: Whether or not this object should use the displaced mesh for computation. Note that in the case this is true but no displacements are provided in the Mesh block the undisplaced mesh will still be used (Default = 0)

The `N2Properties` needs following parameters:

- chi\_cp: uncertainty coefficient on specific heat at constant pressure (Default = 1)
- chi\_k: uncertainty coefficient on thermal conductivity (Default = 1)
- chi\_mu: uncertainty coefficient on viscosity (Default = 1)
- chi\_p: uncertainty coefficient on pressure (Default = 1)
- execute\_on: Set to (residual|jacobian|timestep|timestep\_begin|custom) to execute only at that moment (Default = timestep)
- type: N2Properties (Default)
- use\_displaced\_mesh: Whether or not this object should use the displaced mesh for computation. Note that in the case this is true but no displacements are provided in the Mesh block the undisplaced mesh will still be used (Default = 0)

The `NearestPointLayeredAverage` needs following parameters:

- average\_radius: When using 'average' sampling this is how the number of values both above and below the layer that will be averaged (Default = 1)
- block: The list of block ids (SubdomainID) that this object will be applied
- bounds: The 'bounding' positions of the layers i.e.: '0, 1.2, 3.7, 4.2' will mean 3 layers between those positions.
- direction: The direction of the layers (Required)
- execute\_on: Set to (residual|jacobian|timestep|timestep\_begin|custom) to execute only at that moment (Default = timestep)
- num\_layers: The number of layers.
- points: Layered averages will be computed in space closest to these points (Required)
- sample\_type: How to sample the layers. 'direct' means get the value of the layer the point falls in directly (or average if that layer has no value). 'interpolate' does a linear interpolation between the two closest layers. 'average' averages the two closest layers (Default = direct)
- seed: The seed for the master random number generator (Default = 0)
- type: NearestPointLayeredAverage (Default)
- use\_displaced\_mesh: Whether or not this object should use the displaced mesh for computation. Note that in the case this is true but no displacements are provided in the Mesh block the undisplaced mesh will still be used (Default = 1)
- variable: The name of the variable that this object operates on (Required)

The `NetMassIn` needs following parameters:

- boundary: The list of boundary IDs from the mesh where this boundary condition applies
- execute\_on: Set to (residual|jacobian|timestep|timestep\_begin|custom) to execute only at that moment (Default = timestep)
- outputs: Vector of output names were you would like to restrict the output of this postprocessor (empty outputs to all)
- rhouA: Momentum (Required)
- type: NetMassIn (Default)
- use\_displaced\_mesh: Whether or not this object should use the displaced mesh for computation. Note that in the case this is true but no displacements are provided in the Mesh block the undisplaced mesh will still be used (Default = 0)

The `NetThermalEnergyIn` needs following parameters:

- `boundary`: The list of boundary IDs from the mesh where this boundary condition applies
- `execute_on`: Set to (residual|jacobian|timestep|timestep\_begin|custom) to execute only at that moment (Default = timestep)
- `outputs`: Vector of output names were you would like to restrict the output of this postprocessor (empty outputs to all)
- `rhoEA`: Total energy (Required)
- `rhousA`: Momentum (Required)
- `type`: `NetThermalEnergyIn` (Default)
- `u`: Velocity (Required)
- `use_displaced_mesh`: Whether or not this object should use the displaced mesh for computation. Note that in the case this is true but no displacements are provided in the Mesh block the undisplaced mesh will still be used (Default = 0)

The `NodalExtremeValue` needs following parameters:

- `block`: The list of block ids (SubdomainID) that this object will be applied
- `boundary`: The list of boundary IDs from the mesh where this boundary condition applies
- `execute_on`: Set to (residual|jacobian|timestep|timestep\_begin|custom) to execute only at that moment (Default = timestep)
- `outputs`: Vector of output names were you would like to restrict the output of this postprocessor (empty outputs to all)
- `seed`: The seed for the master random number generator (Default = 0)
- `type`: `NodalExtremeValue` (Default)
- `use_displaced_mesh`: Whether or not this object should use the displaced mesh for computation. Note that in the case this is true but no displacements are provided in the Mesh block the undisplaced mesh will still be used (Default = 0)
- `value_type`: Type of extreme value to return. 'max' returns the maximum value. 'min' returns the minimum value (Default = max)
- `variable`: The name of the variable that this postprocessor operates on (Required)

The `NodalJxW` needs following parameters:

- `block`: The list of block ids (SubdomainID) that this object will be applied
- `execute_on`: Set to (residual|jacobian|timestep|timestep\_begin|custom) to execute only at that moment (Default = timestep)
- `seed`: The seed for the master random number generator (Default = 0)
- `type`: `NodalJxW` (Default)
- `use_displaced_mesh`: Whether or not this object should use the displaced mesh for computation. Note that in the case this is true but no displacements are provided in the Mesh block the undisplaced mesh will still be used (Default = 0)
- `variable`: Variable (Required)

The `NodalL2Error` needs following parameters:

- `block`: The list of block ids (SubdomainID) that this object will be applied
- `boundary`: The list of boundary IDs from the mesh where this boundary condition applies
- `execute_on`: Set to (residual|jacobian|timestep|timestep\_begin|custom) to execute only at that moment (Default = timestep)
- `function`: The analytic solution to compare against (Required)
- `outputs`: Vector of output names were you would like to restrict the output of this postprocessor (empty outputs to all)



- seed: The seed for the master random number generator (Default = 0)
- type: NodalL2Error (Default)
- use\_displaced\_mesh: Whether or not this object should use the displaced mesh for computation. Note that in the case this is true but no displacements are provided in the Mesh block the undisplaced mesh will still be used (Default = 0)
- variable: The name of the variable that this postprocessor operates on (Required)

The NodalL2Norm needs following parameters:

- block: The list of block ids (SubdomainID) that this object will be applied
- boundary: The list of boundary IDs from the mesh where this boundary condition applies
- execute\_on: Set to (residual|jacobian|timestep|timestep\_begin|custom) to execute only at that moment (Default = timestep)
- outputs: Vector of output names were you would like to restrict the output of this postprocessor (empty outputs to all)
- seed: The seed for the master random number generator (Default = 0)
- type: NodalL2Norm (Default)
- use\_displaced\_mesh: Whether or not this object should use the displaced mesh for computation. Note that in the case this is true but no displacements are provided in the Mesh block the undisplaced mesh will still be used (Default = 0)
- variable: The name of the variable that this postprocessor operates on (Required)

The NodalMaxFromAverage needs following parameters:

- average\_name\_pps: name of the postprocessor computing the mean value (Required)
- block: The list of block ids (SubdomainID) that this object will be applied
- boundary: The list of boundary IDs from the mesh where this boundary condition applies
- execute\_on: Set to (residual|jacobian|timestep|timestep\_begin|custom) to execute only at that moment (Default = timestep)
- outputs: Vector of output names were you would like to restrict the output of this postprocessor (empty outputs to all)
- seed: The seed for the master random number generator (Default = 0)
- type: NodalMaxFromAverage (Default)
- use\_displaced\_mesh: Whether or not this object should use the displaced mesh for computation. Note that in the case this is true but no displacements are provided in the Mesh block the undisplaced mesh will still be used (Default = 0)
- variable: The name of the variable that this postprocessor operates on (Required)

The NodalMaxValue needs following parameters:

- block: The list of block ids (SubdomainID) that this object will be applied
- boundary: The list of boundary IDs from the mesh where this boundary condition applies
- execute\_on: Set to (residual|jacobian|timestep|timestep\_begin|custom) to execute only at that moment (Default = timestep)
- outputs: Vector of output names were you would like to restrict the output of this postprocessor (empty outputs to all)
- seed: The seed for the master random number generator (Default = 0)
- type: NodalMaxValue (Default)
- use\_displaced\_mesh: Whether or not this object should use the displaced mesh for computation. Note that in the case this is true but no displacements are provided in the Mesh block the undisplaced mesh will still be used (Default = 0)
- variable: The name of the variable that this postprocessor operates on (Required)

The `NodalNormalsCorner` needs following parameters:

- `boundary`: The list of boundary IDs from the mesh where this boundary condition applies
- `corner_boundary`: Node set ID which contains the nodes that are in 'corners' (Required)
- `execute_on`: Set to (residual|jacobian|timestep|timestep\_begin|custom) to execute only at that moment (Default = timestep)
- `type`: `NodalNormalsCorner` (Default)
- `use_displaced_meshn`: Whether or not this object should use the displaced mesh for computation. Note that in the case this is true but no displacements are provided in the Mesh block the undisplaced mesh will still be used (Default = 0)

The `NodalNormalsEvaluator` needs following parameters:

- `block`: The list of block ids (SubdomainID) that this object will be applied
- `boundary`: The list of boundary IDs from the mesh where this boundary condition applies
- `execute_on`: Set to (residual|jacobian|timestep|timestep\_begin|custom) to execute only at that moment (Default = timestep)
- `seed`: The seed for the master random number generator (Default = 0)
- `type`: `NodalNormalsEvaluator` (Default)
- `use_displaced_mesh`: Whether or not this object should use the displaced mesh for computation. Note that in the case this is true but no displacements are provided in the Mesh block the undisplaced mesh will still be used (Default = 0)

The `NodalNormalsPreprocessor` needs following parameters:

- `block`: The list of block ids (SubdomainID) that this object will be applied
- `boundary`: The list of boundary IDs from the mesh where this boundary condition applies
- `corner_boundary`: Node set ID which contains the nodes that are in 'corners'.
- `execute_on`: Set to (residual|jacobian|timestep|timestep\_begin|custom) to execute only at that moment (Default = timestep)
- `seed`: The seed for the master random number generator (Default = 0)
- `type`: `NodalNormalsPreprocessor` (Default)
- `use_displaced_mesh`: Whether or not this object should use the displaced mesh for computation. Note that in the case this is true but no displacements are provided in the Mesh block the undisplaced mesh will still be used (Default = 0)

The `NodalProxyMaxValue` needs following parameters:

- `block`: The list of block ids (SubdomainID) that this object will be applied
- `boundary`: The list of boundary IDs from the mesh where this boundary condition applies
- `execute_on`: Set to (residual|jacobian|timestep|timestep\_begin|custom) to execute only at that moment (Default = timestep)
- `outputs`: Vector of output names were you would like to restrict the output of this postprocessor (empty outputs to all)
- `seed`: The seed for the master random number generator (Default = 0)
- `type`: `NodalProxyMaxValue` (Default)
- `use_displaced_mesh`: Whether or not this object should use the displaced mesh for computation. Note that in the case this is true but no displacements are provided in the Mesh block the undisplaced mesh will still be used (Default = 0)
- `variable`: The name of the variable that this postprocessor operates on (Required)

The `NodalSum` needs following parameters:

- block: The list of block ids (SubdomainID) that this object will be applied
- boundary: The list of boundary IDs from the mesh where this boundary condition applies
- execute\_on: Set to (residual|jacobian|timestep|timestep\_begin|custom) to execute only at that moment (Default = timestep)
- outputs: Vector of output names were you would like to restrict the output of this postprocessor (empty outputs to all)
- seed: The seed for the master random number generator (Default = 0)
- type: NodalSum (Default)
- use\_displaced\_mesh: Whether or not this object should use the displaced mesh for computation. Note that in the case this is true but no displacements are provided in the Mesh block the undisplaced mesh will still be used (Default = 0)
- variable: The name of the variable that this postprocessor operates on (Required)

The NodalVariableValue needs following parameters:

- execute\_on: Set to (residual|jacobian|timestep|timestep\_begin|custom) to execute only at that moment (Default = timestep)
- nodeid: The ID of the node where we monitor (Required)
- outputs: Vector of output names were you would like to restrict the output of this postprocessor (empty outputs to all)
- scale\_factor: A scale factor to be applied to the variable (Default = 1)
- type: NodalVariableValue (Default)
- use\_displaced\_mesh: Whether or not this object should use the displaced mesh for computation. Note that in the case this is true but no displacements are provided in the Mesh block the undisplaced mesh will still be used (Default = 0)
- variable: The variable to be monitored (Required)

The NonIsothermalEOSFluidProps needs following parameters:

- Pr: Prandtl Number, [-] (Required)
- T\_0: Reference internal energy (Required)
- a2:  $dp/d(\rho)$  (Required)
- beta: Coefficient of thermal expansion (Required)
- cv: Specific heat (Required)
- e\_0: Reference internal energy (Required)
- execute\_on: Set to (residual|jacobian|timestep|timestep\_begin|custom) to execute only at that moment (Default = timestep)
- k: Thermal conductivity, W/(m-K) (Required)
- mu: Dynamic viscosity, Pa.s (Required)
- p\_0: Reference pressure (Required)
- rho\_0: Reference density (Required)
- type: NonIsothermalEOSFluidProps (Default)
- use\_displaced\_mesh: Whether or not this object should use the displaced mesh for computation. Note that in the case this is true but no displacements are provided in the Mesh block the undisplaced mesh will still be used (Default = 0)

The NonIsothermalEquationOfState needs following parameters:

- T\_0: Reference internal energy (Required)
- a2:  $dp/d(\rho)$  (Required)
- beta: Coefficient of thermal expansion (Required)
- cv: Specific heat (Required)
- e\_0: Reference internal energy (Required)

- `execute_on`: Set to (residual|jacobian|timestep|timestep\_begin|custom) to execute only at that moment (Default = timestep)
- `p_0`: Reference pressure (Required)
- `rho_0`: Reference density (Required)
- `type`: NonIsothermalEquationOfState (Default)
- `use_displaced_mesh`: Whether or not this object should use the displaced mesh for computation. Note that in the case this is true but no displacements are provided in the Mesh block the undisplaced mesh will still be used (Default = 0)

The `NumDOFs` needs following parameters:

- `execute_on`: Set to (residual|jacobian|timestep|timestep\_begin|custom) to execute only at that moment (Default = timestep)
- `outputs`: Vector of output names were you would like to restrict the output of this postprocessor (empty outputs to all)
- `type`: NumDOFs (Default)
- `use_displaced_mesh`: Whether or not this object should use the displaced mesh for computation. Note that in the case this is true but no displacements are provided in the Mesh block the undisplaced mesh will still be used (Default = 0)

The `NumElems` needs following parameters:

- `execute_on`: Set to (residual|jacobian|timestep|timestep\_begin|custom) to execute only at that moment (Default = timestep)
- `outputs`: Vector of output names were you would like to restrict the output of this postprocessor (empty outputs to all)
- `type`: NumElems (Default)
- `use_displaced_mesh`: Whether or not this object should use the displaced mesh for computation. Note that in the case this is true but no displacements are provided in the Mesh block the undisplaced mesh will still be used (Default = 0)

The `NumLinearIterations` needs following parameters:

- `execute_on`: Set to (residual|jacobian|timestep|timestep\_begin|custom) to execute only at that moment (Default = timestep)
- `outputs`: Vector of output names were you would like to restrict the output of this postprocessor (empty outputs to all)
- `type`: NumLinearIterations (Default)
- `use_displaced_meshn`: Whether or not this object should use the displaced mesh for computation. Note that in the case this is true but no displacements are provided in the Mesh block the undisplaced mesh will still be used (Default = 0)

The `NumNodes` needs following parameters:

- `execute_on`: Set to (residual|jacobian|timestep|timestep\_begin|custom) to execute only at that moment (Default = timestep)
- `outputs`: Vector of output names were you would like to restrict the output of this postprocessor (empty outputs to all)
- `type`: NumNodes (Default)
- `use_displaced_mesh`: Whether or not this object should use the displaced mesh for computation. Note that in the case this is true but no displacements are provided in the Mesh block the undisplaced mesh will still be used (Default = 0)

The `NumNonlinearIterations` needs following parameters:

- `execute_on`: Set to (residual|jacobian|timestep|timestep\_begin|custom) to execute only at that moment (Default = timestep)
- `outputs`: Vector of output names were you would like to restrict the output of this postprocessor (empty outputs to all)
- `type`: NumNonlinearIterations (Default)
- `use_displaced_mesh`: Whether or not this object should use the displaced mesh for computation. Note that in the case this is true but no displacements are provided in the Mesh block the undisplaced mesh will still be used (Default = 0)

The `NumResidualEvaluations` needs following parameters:

- `execute_on`: Set to (residual|jacobian|timestep|timestep\_begin|custom) to execute only at that moment (Default = timestep)
- `outputs`: Vector of output names were you would like to restrict the output of this postprocessor (empty outputs to all)
- `type`: NumResidualEvaluations (Default)
- `use_displaced_mesh`: Whether or not this object should use the displaced mesh for computation. Note that in the case this is true but no displacements are provided in the Mesh block the undisplaced mesh will still be used (Default = 0)

The `NumVars` needs following parameters:

- `execute_on`: Set to (residual|jacobian|timestep|timestep\_begin|custom) to execute only at that moment (Default = timestep)
- `outputs`: Vector of output names were you would like to restrict the output of this postprocessor (empty outputs to all)
- `system`: The system for which you want to print the number of variables (Default = nonlinear)
- `type`: NumVars (Default)
- `use_displaced_mesh`: Whether or not this object should use the displaced mesh for computation. Note that in the case this is true but no displacements are provided in the Mesh block the undisplaced mesh will still be used (Default = 0)

The `NumericalFluxUserObject` needs following parameters:

- `execute_on`: Set to (residual|jacobian|timestep|timestep\_begin|custom) to execute only at that moment (Default = timestep)
- `type`: NumericalFluxUserObject (Default)
- `use_displaced_mesh`: Whether or not this object should use the displaced mesh for computation. Note that in the case this is true but no displacements are provided in the Mesh block the undisplaced mesh will still be used (Default = 0)

The `PerformanceData` needs following parameters:

- `column`: The column you want the value of (Required)
- `event`: The name of the event. (Required)
- `execute_on`: Set to (residual|jacobian|timestep|timestep\_begin|custom) to execute only at that moment (Default = timestep)
- `outputs`: Vector of output names were you would like to restrict the output of this postprocessor (empty outputs to all)
- `type`: PerformanceData (Default)
- `use_displaced_mesh`: Whether or not this object should use the displaced mesh for computation. Note that in the case this is true but no displacements are provided in the Mesh block the undisplaced mesh will still be used (Default = 0)

The `PlotFunction` needs following parameters:

- `execute_on`: Set to (residual|jacobian|timestep|timestep\_begin|custom) to execute only at that moment (Default = timestep)
- `function`: Name of the function to plot (i.e. sample) (Required)
- `outputs`: Vector of output names were you would like to restrict the output of this postprocessor (empty outputs to all)
- `point`: A point in space to be given to the function
- `scale_factor`: A scale factor to be applied to the function (Default = 1)
- `type`: `PlotFunction` (Default)
- `use_displaced_mesh`: Whether or not this object should use the displaced mesh for computation. Note that in the case this is true but no displacements are provided in the Mesh block the undisplaced mesh will still be used (Default = 0)

The `PointValue` needs following parameters:

- `execute_on`: Set to (residual|jacobian|timestep|timestep\_begin|custom) to execute only at that moment (Default = timestep)
- `outputs`: Vector of output names were you would like to restrict the output of this postprocessor (empty outputs to all)
- `point`: The physical point where the solution will be evaluated (Required)
- `type`: `PointValue` (Default)
- `use_displaced_mesh`: Whether or not this object should use the displaced mesh for computation. Note that in the case this is true but no displacements are provided in the Mesh block the undisplaced mesh will still be used (Default = 0)
- `variable`: The name of the variable that this postprocessor operates on (Required)

The `PressureCB` needs following parameters:

- `area`: Area (Required)
- `boundary`: The list of boundary IDs from the mesh where this boundary condition applies
- `execute_on`: Set to (residual|jacobian|timestep|timestep\_begin|custom) to execute only at that moment (Default = timestep)
- `outputs`: Vector of output names were you would like to restrict the output of this postprocessor (empty outputs to all)
- `pressure`: Pressure (Required)
- `type`: `PressureCB` (Default)
- `use_displaced_mesh`: Whether or not this object should use the displaced mesh for computation. Note that in the case this is true but no displacements are provided in the Mesh block the undisplaced mesh will still be used (Default = 0)

The `ProblemRealParameter` needs following parameters:

- `execute_on`: Set to (residual|jacobian|timestep|timestep\_begin|custom) to execute only at that moment (Default = timestep)
- `outputs`: Vector of output names were you would like to restrict the output of this postprocessor (empty outputs to all)
- `param_name`: Name of the parameter to be exposed (Required)
- `type`: `ProblemRealParameter` (Default)
- `use_displaced_mesh`: Whether or not this object should use the displaced mesh for computation. Note that in the case this is true but no displacements are provided in the Mesh block the undisplaced mesh will still be used (Default = 0)

The `ReactivityFeedback` needs following parameters:

- `execute_on`: Set to (residual|jacobian|timestep|timestep\_begin|custom) to execute only at that moment (Default = timestep)
- `fuel_reactivity`: The fuel reactivity (Required)
- `moderator_reactivity`: The moderator reactivity (Required)
- `outputs`: Vector of output names were you would like to restrict the output of this postprocessor (empty outputs to all)
- `type`: ReactivityFeedback (Default)
- `use_displaced_mesh`: Whether or not this object should use the displaced mesh for computation. Note that in the case this is true but no displacements are provided in the Mesh block the undisplaced mesh will still be used (Default = 0)

The `Receiver` needs following parameters:

- `default`: The default value
- `execute_on`: Set to (residual|jacobian|timestep|timestep\_begin|custom) to execute only at that moment (Default = timestep)
- `outputs`: Vector of output names were you would like to restrict the output of this postprocessor (empty outputs to all)
- `type`: Receiver (Default)
- `use_displaced_mesh`: Whether or not this object should use the displaced mesh for computation. Note that in the case this is true but no displacements are provided in the Mesh block the undisplaced mesh will still be used (Default = 0)

The `Residual` needs following parameters:

- `execute_on`: Set to (residual|jacobian|timestep|timestep\_begin|custom) to execute only at that moment (Default = timestep)
- `outputs`: Vector of output names were you would like to restrict the output of this postprocessor (empty outputs to all)
- `type`: Residual (Default)
- `use_displaced_mesh`: Whether or not this object should use the displaced mesh for computation. Note that in the case this is true but no displacements are provided in the Mesh block the undisplaced mesh will still be used (Default = 0)

The `RigidBodyModes3D` needs following parameters:

- `block`: The list of block ids (SubdomainID) that this object will be applied
- `boundary`: The list of boundary IDs from the mesh where this boundary condition applies
- `disp_x`: x-displacement (Required)
- `disp_y`: y-displacement (Required)
- `disp_z`: z-displacement (Required)
- `execute_on`: Set to (residual|jacobian|timestep|timestep\_begin|custom) to execute only at that moment (Default = timestep)
- `modes`: Names of the RigidBody3D modes computed here. Select from: `trans_x`, `trans_y`, `trans_z`, `rot_x`, `rot_y`, `rot_z`
- `seed`: The seed for the master random number generator (Default = 0)
- `subspace_indices`: Indices of FEProblem subspace vectors containing rigid body modes
- `subspace_name`: FEProblem subspace containing rigid body mode vectors (Required)
- `type`: RigidBodyModes3D (Default)
- `use_displaced_mesh`: Whether or not this object should use the displaced mesh for computation. Note that in the case this is true but no displacements are provided in the Mesh block the undisplaced mesh will still be used (Default = 0)

The `RigidBodyModesRZ` needs following parameters:

- `block`: The list of block ids (SubdomainID) that this object will be applied
- `boundary`: The list of boundary IDs from the mesh where this boundary condition applies
- `disp_r`: r-displacement (Required)
- `disp_z`: z-displacement (Required)
- `execute_on`: Set to (residual|jacobian|timestep|timestep\_begin|custom) to execute only at that moment (Default = timestep)
- `seed`: The seed for the master random number generator (Default = 0)
- `subspace_indices`: Indices of FEProblem subspace vectors containing rigid body modes (Required)
- `subspace_name`: FEProblem subspace containing RZ rigid body modes (Required)
- `type`: RigidBodyModesRZ (Default)
- `use_displaced_mesh`: Whether or not this object should use the displaced mesh for computation. Note that in the case this is true but no displacements are provided in the Mesh block the undisplaced mesh will still be used (Default = 0)

The `RunTime` needs following parameters:

- `execute_on`: Set to (residual|jacobian|timestep|timestep\_begin|custom) to execute only at that moment (Default = timestep)
- `outputs`: Vector of output names were you would like to restrict the output of this postprocessor (empty outputs to all)
- `time_type`: Whether to output the total elapsed or just the active time (Required)
- `type`: RunTime (Default)
- `use_displaced_mesh`: Whether or not this object should use the displaced mesh for computation. Note that in the case this is true but no displacements are provided in the Mesh block the undisplaced mesh will still be used (Default = 0)

The `ScalarL2Error` needs following parameters:

- `execute_on`: Set to (residual|jacobian|timestep|timestep\_begin|custom) to execute only at that moment (Default = timestep)
- `function`: The analytic solution to compare against (Required)
- `outputs`: Vector of output names were you would like to restrict the output of this postprocessor (empty outputs to all)
- `type`: ScalarL2Error (Default)
- `use_displaced_mesh`: Whether or not this object should use the displaced mesh for computation. Note that in the case this is true but no displacements are provided in the Mesh block the undisplaced mesh will still be used (Default = 0)
- `variable`: The name of the scalar variable (Required)

The `ScalarVariable` needs following parameters:

- `component`: Component to output for this variable (Default = 0)
- `execute_on`: Set to (residual|jacobian|timestep|timestep\_begin|custom) to execute only at that moment (Default = timestep)
- `outputs`: Vector of output names were you would like to restrict the output of this postprocessor (empty outputs to all)
- `type`: ScalarVariable (Default)
- `use_displaced_mesh`: Whether or not this object should use the displaced mesh for computation. Note that in the case this is true but no displacements are provided in the Mesh block the undisplaced mesh will still be used (Default = 0)

`variable`: Name of the variable (Required)

The `SideAverageValue` needs following parameters:



- boundary: The list of boundary IDs from the mesh where this boundary condition applies
- execute\_on: Set to (residual|jacobian|timestep|timestep\_begin|custom) to execute only at that moment (Default = timestep)
- outputs: Vector of output names were you would like to restrict the output of this postprocessor (empty outputs to all)
- type: SideAverageValue (Default)
- use\_displaced\_mesh: Whether or not this object should use the displaced mesh for computation. Note that in the case this is true but no displacements are provided in the Mesh block the undisplaced mesh will still be used (Default = 0)
- variable: The name of the variable that this boundary condition applies to (Required)

The SideFluxAverage needs following parameters:

- boundary: The list of boundary IDs from the mesh where this boundary condition applies
- diffusivity: The name of the diffusivity material property that will be used in the flux computation (Required)
- execute\_on: Set to (residual|jacobian|timestep|timestep\_begin|custom) to execute only at that moment (Default = timestep)
- outputs: Vector of output names were you would like to restrict the output of this postprocessor (empty outputs to all)
- type: SideFluxAverage (Default)
- use\_displaced\_mesh: Whether or not this object should use the displaced mesh for computation. Note that in the case this is true but no displacements are provided in the Mesh block the undisplaced mesh will still be used (Default = 0)
- variable: The name of the variable that this boundary condition applies to (Required)

The SideFluxIntegral needs following parameters:

- boundary: The list of boundary IDs from the mesh where this boundary condition applies
- diffusivity: The name of the diffusivity material property that will be used in the flux computation (Required)
- execute\_on: Set to (residual|jacobian|timestep|timestep\_begin|custom) to execute only at that moment (Default = timestep)
- outputs: Vector of output names were you would like to restrict the output of this postprocessor (empty outputs to all)
- type: SideFluxIntegral (Default)
- use\_displaced\_mesh: Whether or not this object should use the displaced mesh for computation. Note that in the case this is true but no displacements are provided in the Mesh block the undisplaced mesh will still be used (Default = 0)
- variable: The name of the variable that this boundary condition applies to (Required)

The SideIntegralVariablePostprocessor needs following parameters:

- boundary: The list of boundary IDs from the mesh where this boundary condition applies
- execute\_on: Set to (residual|jacobian|timestep|timestep\_begin|custom) to execute only at that moment (Default = timestep)
- outputs: Vector of output names were you would like to restrict the output of this postprocessor (empty outputs to all)
- type: SideIntegralVariablePostprocessor (Default)
- use\_displaced\_mesh: Whether or not this object should use the displaced mesh for computation. Note that in the case this is true but no displacements are provided in the Mesh block the undisplaced mesh will still be used (Default = 0)
- variable: The name of the variable that this boundary condition applies to (Required)

The `SolidMaterialProperties` needs following parameters:

- `Cp`: Specific heat
- `execute_on`: Set to (residual|jacobian|timestep|timestep\_begin|custom) to execute only at that moment (Default = timestep)
- `k`: Thermal conductivity
- `rho`: Density
- `type`: `SolidMaterialProperties` (Default)
- `use_displaced_mesh`: Whether or not this object should use the displaced mesh for computation. Note that in the case this is true but no displacements are provided in the Mesh block the undisplaced mesh will still be used (Default = 0)

The `SolutionUserObject` needs following parameters:

- `coord_factor`: This name has been deprecated. Please use translation instead
- `coord_scale`: This name has been deprecated. Please use scale instead
- `elemental_variables`: The name of the element variables from the file you want to use for values.
- `es`: The name of the file holding the equation system info in xda format (xda only).
- `execute_on`: Set to (residual|jacobian|timestep|timestep\_begin|custom) to execute only at that moment (Default = timestep\_begin)
- `legacy_read`: Utilize the legacy call to `EquationsSystems::read`, this may be required for older XDA/XDR files (Default = 0)
- `mesh`: The name of the mesh file (must be xda or exodusII file) (Required)
- `nodal_variables`: The name of the nodal variables from the file you want to use for values.
- `rotation0_angle`: Anticlockwise rotation angle (in degrees) to use for rotation about `rotation0_vector` (Default = 0)
- `rotation0_vector`: Vector about which to rotate points of the simulation (Default = 0 0 1)
- `rotation1_angle`: Anticlockwise rotation angle (in degrees) to use for rotation about `rotation1_vector` (Default = 0)
- `rotation1_vector`: Vector about which to rotate points of the simulation (Default = 0 0 1)
- `scale`: Scale factor for points in the simulation (Default = 1 1 1)
- `scale_multiplier`: Scale multiplying factor for points in the simulation (Default = 1 1 1)
- `system`: The name of the system to pull values out of (xda only) (Default = NonlinearSystem)
- `timestep`: Index of the single timestep used (exodusII only). If not supplied, time interpolation will occur (Default = -1)
- `transformation_order`: The order to perform the operations in. Define  $R_0$  to be the rotation matrix encoded by `rotation0_vector` and `rotation0_angle`. Similarly for  $R_1$ . Denote the scale by  $s$ , the `scale_multiplier` by  $m$ , and the translation by  $t$ . Then, given a point  $x$  in the simulation, if `transformation_order = 'rotation0 scale_multiplier translation scale rotation1'` then form  $p = R_1*(R_0*x*m - t)/s$ . Then the values provided by the `SolutionUserObject` at point  $x$  in the simulation are the variable values at point  $p$  in the mesh (Default = translation scale)
- `translation`: Translation factors for x,y,z coordinates of the simulation (Default = 0 0 0)
- `type`: `SolutionUserObject`
- `use_displaced_mesh`: Whether or not this object should use the displaced mesh for computation. Note that in the case this is true but no displacements are provided in the Mesh block the undisplaced mesh will still be used (Default = 0)

The `SpecificInterfacialAreaCurve` needs following parameters:

- `execute_on`: Set to (residual|jacobian|timestep|timestep\_begin|custom) to execute only at that moment (Default = timestep)
- `max_value`: Max value for the curve (Required)
- `type`: `SpecificInterfacialAreaCurve` (Default)

- `use_displaced_mesh`: Whether or not this object should use the displaced mesh for computation. Note that in the case this is true but no displacements are provided in the Mesh block the undisplaced mesh will still be used (Default = 0)

The `SpecificThermalEnergy` needs following parameters:

- `boundary`: The list of boundary IDs from the mesh where this boundary condition applies
- `execute_on`: Set to (residual|jacobian|timestep|timestep\_begin|custom) to execute only at that moment (Default = timestep)
- `inlet`: Inlet boundary ID (Required)
- `outputs`: Vector of output names were you would like to restrict the output of this postprocessor (empty outputs to all)
- `rho`: Density (Required)
- `rhoE`: Total energy (Required)
- `type`: `SpecificThermalEnergy` (Default)
- `u`: Velocity (Required)
- `use_displaced_mesh`: Whether or not this object should use the displaced mesh for computation. Note that in the case this is true but no displacements are provided in the Mesh block the undisplaced mesh will still be used (Default = 0)

The `StiffenedGasEquationOfState` needs following parameters:

- `cv`: Specific heat
- `execute_on`: Set to (residual|jacobian|timestep|timestep\_begin|custom) to execute only at that moment (Default = timestep)
- `gamma`: TODO: describe me
- `p_inf`: TODO: describe me
- `q`: TODO: describe me
- `q_prime`: TODO: describe me
- `type`: `StiffenedGasEquationOfState` (Default)
- `use_displaced_mesh`: Whether or not this object should use the displaced mesh for computation. Note that in the case this is true but no displacements are provided in the Mesh block the undisplaced mesh will still be used (Default = 0)

The `StiffenedGasEquationOfStateLiquid` needs following parameters:

- `cv`: Specific heat (Default = 1816)
- `cv_vapor`: Specific heat (Default = 1040)
- `execute_on`: Set to (residual|jacobian|timestep|timestep\_begin|custom) to execute only at that moment (Default = timestep)
- `gamma`: TODO: describe me (Default = 2.35)
- `gamma_vapor`: TODO: describe me (Default = 1.43)
- `p_inf`: : TODO: describe me (Default= 1e+09)
- `p_inf_vapor`: TODO: describe me (Default = 0)
- `q`: TODO: describe me (Default = -1.167e+06)
- `q_prime`: TODO: describe me (Default = 0)
- `q_prime_vapor`: TODO: describe me (Default = -23000)
- `q_vapor`: TODO: describe me (Default= 2.03e+06)
- `type`: `StiffenedGasEquationOfStateLiquid` (Default)
- `use_displaced_mesh`: Whether or not this object should use the displaced mesh for computation. Note that in the case this is true but no displacements are provided in the Mesh block the undisplaced mesh will still be used. (Default = 0)

The StiffenedGasEquationOfStateLiquidFluidProps needs following parameters:

- Pr: Prandtl Number, [-] (Default = 0.9)
- beta: Coefficient of thermal expansion (Default = 0.00046)
- cv: Specific heat (Default= 1816)
- cv\_vapor: Specific heat (Default= 1040)
- execute\_on: Set to (residual|jacobian|timestep|timestep\_begin|custom) to execute only at that moment (Default = timestep)
- gamma: TODO: describe me (Default= 2.35)
- gamma\_vapor: TODO: describe me (Default= 1.43)
- k: Thermal conductivity, W/(m-K) (Default = 0.6)
- mu: Dynamic viscosity, Pa.s (Default = 0.001)
- p\_inf: TODO: describe me (Default= 1e+09)
- p\_inf\_vapor: TODO: describe me (Default= 0)
- q: TODO: describe me (Default= -1.167e+06)
- q\_prime: TODO: describe me (Default= 0)
- q\_prime\_vapor: TODO: describe me (Default= -23000)
- q\_vapor: TODO: describe me (Default= 2.03e+06)
- type: StiffenedGasEquationOfStateLiquidFluidProps (Default)
- use\_displaced\_mesh: Whether or not this object should use the displaced mesh for computation. Note that in the case this is true but no displacements are provided in the Mesh block the undisplaced mesh will still be used (Default = 0)

The StiffenedGasEquationOfStateVapor needs following parameters:

- cv: Specific heat (Default= 1040)
- execute\_on: Set to (residual|jacobian|timestep|timestep\_begin|custom) to execute only at that moment (Default = timestep)
- gamma: TODO: describe me (Default= 1.43)
- p\_inf: TODO: describe me (Default= 0)
- q: TODO: describe me (Default= 2.03e+06)
- q\_prime: TODO: describe me (Default= -23000)
- type: StiffenedGasEquationOfStateVapor (Default)
- use\_displaced\_mesh: Whether or not this object should use the displaced mesh for computation. Note that in the case this is true but no displacements are provided in the Mesh block the undisplaced mesh will still be used (Default =0)

The StiffenedGasEquationOfStateVaporFluidProps needs following parameters:

- Pr: Prandtl Number, [-] (Default= 1.6)
- cv: Specific heat (Default= 1040)
- execute\_on: Set to (residual|jacobian|timestep|timestep\_begin|custom) to execute only at that moment (Default = timestep)
- gamma: TODO: describe me (Default= 1.43)
- k: Thermal conductivity, W/(m-K) (Default= 0.07)
- mu: Dynamic viscosity, Pa.s (Default = 2e-05)
- p\_inf: TODO: describe me (Default= 0)
- q: TODO: describe me (Default= 2.03e+06)
- q\_prime: TODO: describe me (Default= -23000)
- type: StiffenedGasEquationOfStateVaporFluidProps (Default)
- use\_displaced\_mesh: Whether or not this object should use the displaced mesh for computation. Note that in the case this is true but no displacements are provided in the Mesh block the undisplaced mesh will still be used (Default = 0)

The ThermalCond needs following parameters:

- T\_hot: Temperature on 'hot' boundary in K (Required)
- boundary: The list of boundary IDs from the mesh where this boundary condition applies
- dx: Length between sides of sample in length\_scale (Required)
- execute\_on: Set to (residual|jacobian|timestep|timestep\_begin|custom) to execute only at that moment (Default = timestep)
- flux: Heat flux out of 'cold' boundary in solution units, should always be positive (Required)
- k0: Initial value of the thermal conductivity (Default = 0)
- length\_scale: lengthscale of the solution (Default = 1e-08)
- outputs: Vector of output names were you would like to restrict the output of this postprocessor (empty outputs to all)
- type: ThermalCond (Default)
- use\_displaced\_mesh: Whether or not this object should use the displaced mesh for computation. Note that in the case this is true but no displacements are provided in the Mesh block the undisplaced mesh will still be used (Default = 0)
- variable: The name of the variable that this boundary condition applies to (Required)

The TimestepSize needs following parameters:

- execute\_on: Set to (residual|jacobian|timestep|timestep\_begin|custom) to execute only at that moment (Default = timestep)
- outputs: Vector of output names were you would like to restrict the output of this postprocessor (empty outputs to all)
- type: TimestepSize (Default)
- use\_displaced\_mesh: Whether or not this object should use the displaced mesh for computation. Note that in the case this is true but no displacements are provided in the Mesh block the undisplaced mesh will still be used (Default = 0)

The TotalVariableValue needs following parameters:

- execute\_on: Set to (residual|jacobian|timestep|timestep\_begin|custom) to execute only at that moment (Default = timestep)
- outputs: Vector of output names were you would like to restrict the output of this postprocessor (empty outputs to all)
- type: TotalVariableValue (Default)
- use\_displaced\_mesh: Whether or not this object should use the displaced mesh for computation. Note that in the case this is true but no displacements are provided in the Mesh block the undisplaced mesh will still be used (Default = 0)
- value: The name of the postprocessor

The TwoPhaseStiffenedGasEOS needs following parameters:

- execute\_on: Set to (residual|jacobian|timestep|timestep\_begin|custom) to execute only at that moment (Default = timestep)
- type: TwoPhaseStiffenedGasEOS (Default)
- use\_displaced\_mesh: Whether or not this object should use the displaced mesh for computation. Note that in the case this is true but no displacements are provided in the Mesh block the undisplaced mesh will still be used (Default = 0)

The ValveMechanism needs following parameters:

- execute\_on: Set to (residual|jacobian|timestep|timestep\_begin|custom) to execute only at that moment (Default = timestep)
- fullopen\_area: The cross sectional area of the valve at fully open (Required)

- `initial_status`: The current valve open/close status (Required)
- `node_ids`: Node ids for the valve inlet and outlet, respectively (Required)
- `response_time`: The response time the valve needs to open/close (Required)
- `trigger_time`: The time the valve is triggered (Required)
- `type`: ValveMechanism (Default)
- `use_displaced_mesh`: Whether or not this object should use the displaced mesh for computation. Note that in the case this is true but no displacements are provided in the Mesh block the undisplaced mesh will still be used (Default = 0)

The ValveMechanismBase needs following parameters:

- `execute_on`: Set to (residual|jacobian|timestep|timestep\_begin|custom) to execute only at that moment (Default = timestep)
- `fullopen_area`: The cross sectional area of the valve at fully open (Required)
- `initial_status`: The current valve open/close status (Required)
- `node_ids`: Node ids for the valve inlet and outlet, respectively (Required)
- `response_time`: The response time the valve needs to open/close (Required)
- `type`: ValveMechanismBase (Default)
- `use_displaced_mesh`: Whether or not this object should use the displaced mesh for computation. Note that in the case this is true but no displacements are provided in the Mesh block the undisplaced mesh will still be used (Default = 0)

The VolumePostprocessor needs following parameters:

- `block`: The list of block ids (SubdomainID) that this object will be applied
- `execute_on`: Set to (residual|jacobian|timestep|timestep\_begin|custom) to execute only at that moment (Default = timestep)
- `outputs`: Vector of output names were you would like to restrict the output of this postprocessor (empty outputs to all)
- `seed`: The seed for the master random number generator (Default = 0)
- `type`: VolumePostprocessor (Default)
- `use_displaced_mesh`: Whether or not this object should use the displaced mesh for computation. Note that in the case this is true but no displacements are provided in the Mesh block the undisplaced mesh will still be used (Default = 0)

### **Preconditioning block**

- `line_search`: Specifies the line search type (Note: none = basic) (Default)
- `petsc_options`: Singleton PETSc options
- `petsc_options_iname`: Names of PETSc name/value pairs
- `petsc_options_value`: Values of PETSc name/value pairs (must correspond with "petsc\_options\_iname")
- `solve_type`: PJFNK: Preconditioned Jacobian-Free Newton Krylov JFNK: Jacobian-Free Newton Krylov NEWTON: Full Newton Solve FD: Use finite differences to compute Jacobian LINEAR: Solving a linear problem
- `type`: Preconditioning (Required)

The FDP needs following parameters:

- `full`: Set to true if you want the full set of couplings. Simply for convenience so you don't have to set every `off_diag_row` and `off_diag_column` combination (Default = 0)

- `implicit_geometric_coupling`: Set to true if you want to add entries into the matrix for degrees of freedom that might be coupled by inspection of the geometric search objects (Default = 0)
- `off_diag_column`: The off diagonal column you want to add into the matrix, it will be associated with an off diagonal row from the same position in `off_diag_row`
- `off_diag_row`: The off diagonal row you want to add into the matrix, it will be associated with an off diagonal column from the same position in `off_diag_column`.
- `pc_side`: Preconditioning side (Default = right)
- `type`: FDP (Default)

The PBP needs following parameters:

- `off_diag_column`: The off diagonal column you want to add into the matrix, it will be associated with an off diagonal row from the same position in `off_diag_row`.
- `off_diag_row`: The off diagonal row you want to add into the matrix, it will be associated with an off diagonal column from the same position in `off_diag_column`.
- `pc_side`: Preconditioning side (Default = right)
- `preconditioner`: TODO: docstring (Required)
- `solve_order`: The order the block rows will be solved in. Put the name of variables here to stand for solving that variable's block row. A variable may appear more than once (to create cycles if you like) (Required)
- `type`: PBP (Default)

The SBP needs following parameters:

- `full`: Set to true if you want the full set of couplings. Simply for convenience so you don't have to set every `off_diag_row` and `off_diag_column` combination (Default = 0)
- `off_diag_column`: The off diagonal column you want to add into the matrix, it will be associated with an off diagonal row from the same position in `off_diag_row`.
- `off_diag_row`: The off diagonal row you want to add into the matrix, it will be associated with an off diagonal column from the same position in `off_diag_column`.
- `pc_side`: Preconditioning side (Default = right)
- `type`: SBP (Default)

The SMP needs following parameters:

- `full`: Set to true if you want the full set of couplings. Simply for convenience so you don't have to set every `off_diag_row` and `off_diag_column` combination (Default = 0)
- `off_diag_column`: The off diagonal column you want to add into the matrix, it will be associated with an off diagonal row from the same position in `off_diag_row`
- `off_diag_row`: The off diagonal row you want to add into the matrix, it will be associated with an off diagonal column from the same position in `off_diag_column`
- `pc_side`: Preconditioning side (Default = right)
- `type`: SMP (Default)

Numerical methods in the RELAP-7 are expressed in the `Executioner` block syntax. The `Executioner` block needs following parameters:

- `l_abs_step_tol`: Linear Absolute Step Tolerance (Default = -1)
- `l_max_its`: Max Linear Iterations (Default = 10000)
- `l_tol`: Linear Tolerance (Default = 1e-05)
- `line_search`: Specifies the line search type (Note: none = basic) (Default = default)
- `nl_abs_step_tol`: Nonlinear Absolute step Tolerance (Default = 1e-50)
- `nl_abs_tol`: Nonlinear Absolute Tolerance (Default = 1e-50)

- `nl_max_funcs`: Max Nonlinear solver function evaluations (Default = 10000)
- `nl_max_its`: Max Nonlinear Iterations (Default = 50)
- `nl_rel_step_tol`: Nonlinear Relative step Tolerance (Default = 1e-50)
- `nl_rel_tol`: Nonlinear Relative Tolerance (Default = 1e-08)
- `no_fe_reinit`: Specifies whether or not to reinitialize Fes (Default = 0)
- `petsc_options`: Singleton PETSc options
- `petsc_options_iname`: Names of PETSc name/value pairs
- `petsc_options_value`: Values of PETSc name/value pairs (must correspond with "petsc\_options\_iname")
- `scheme`: Time integration scheme used (Default = bdf2)
- `solve_type`: PJFNK: Preconditioned Jacobian-Free Newton Krylov JFNK: Jacobian-Free Newton Krylov NEWTON: Full Newton Solve FD: Use finite differences to compute Jacobian LINEAR: Solving a linear problem
- `type`: Executioner (Required)

### Executioner block

The `ControlLogicExecutioner` needs following parameters:

- `abort_on_solve_fail`: abort if solve not converged rather than cut timestep (Default = 0)
- `dt`: The timestep size between solves (Default = 1)
- `dtmax`: The maximum timestep size in an adaptive run (Default = 1e+30)
- `dtmin`: The minimum timestep size in an adaptive run (Default = 2e-14)
- `end_time`: The end time of the simulation (Default = 1e+30)
- `n_startup_steps`: The number of timesteps during startup (Default = 0)
- `num_steps`: The number of timesteps in a transient run (Default = 4294967295)
- `picard_abs_tol`: The absolute nonlinear residual to shoot for during Picard iterations. This check is performed based on the Master app's nonlinear residual (Default = 1e-50)
- `picard_max_its`: Number of times each timestep will be solved. Mainly used when wanting to do Picard iterations with MultiApps that are set to execute on timestep or timestep\_begin (Default = 1)
- `picard_rel_tol`: The relative nonlinear residual drop to shoot for during Picard iterations. This check is performed based on the Master app's nonlinear residual (Default = 1e-08)
- `predictor_scale`: The scale factor for the predictor (can range from 0 to 1)
- `reset_dt`: Use when restarting a calculation to force a change in dt (Default = 0)
- `restart_file_base`: File base name used for restart
- `scheme`: Time integration scheme used (Default = implicit-euler)
- `splitting`: Top-level splitting defining a hierarchical decomposition into subsystems to help the solver.
- `ss_check_tol`: Whenever the relative residual changes by less than this the solution will be considered to be at steady state (Default = 1e-08)
- `ss_tmin`: Minimum number of timesteps to take before checking for steady state conditions (Default = 0)
- `start_time`: The start time of the simulation (Default = 0)
- `time_period_ends`: The end times of time periods
- `time_period_starts`: The start times of time periods
- `time_periods`: The names of periods
- `timestep_tolerance`: The tolerance setting for final timestep size and sync times (Default = 2e-14)
- `trans_ss_check`: Whether or not to check for steady state conditions (Default = 0)
- `type`: `ControlLogicExecutioner` (Default)
- `use_multiapp_dt`: If true then the dt for the simulation will be chosen by the MultiApps. If false (the default) then the minimum over the master dt and the MultiApps is used (Default = 0)
- `verbose`: Print detailed diagnostics on timestep calculation (Default = 0)



The CoupledTransientExecutioner needs following parameters:

- num\_steps: The number of timesteps in a transient run (Default = 4294967295)
- restart\_file\_base: File base name used for restart
- splitting: Top-level splitting defining a hierarchical decomposition into subsystems to help the solver.
- type: CoupledTransientExecutioner (Default)

The InversePowerMethod needs following parameters:

- Chebyshev\_acceleration\_on: If Chebyshev acceleration is turned on (Default = 1)
- auto\_initialization: True to ask the solver to set initial (Default = 1)
- bx\_norm: To evaluate  $|Bx|$  for the Eigenvalue (Required)
- eig\_check\_tol: Eigenvalue convergence tolerance (Default = 1e-06)
- k0: Initial guess of the eigenvalue (Default = 1)
- max\_power\_iterations: The maximum number of power iterations (Default = 300)
- min\_power\_iterations: Minimum number of power iterations (Default = 1)
- normal\_factor: Normalize x to make  $|x|$  equal to this factor
- normalization: To evaluate  $|x|$  for normalization
- output\_on\_final: True to disable all the intermediate exodus outputs (Default = 0)
- output\_pi\_history: True to output solutions during PI (Default = 0)
- pfactor: Reduce residual norm per power iteration by this factor (Default = 0.01)
- restart\_file\_base: File base name used for restart
- splitting: Top-level splitting defining a hierarchical decomposition into subsystems to help the solver.
- time: System time (Default = 0)
- type: InversePowerMethod (Default)
- xdiff: To evaluate  $|x-x_{previous}|$  for power iterations

The NonlinearEigen needs following parameters:

- auto\_initialization: True to ask the solver to set initial (Default = 1)
- bx\_norm: To evaluate  $|Bx|$  for the eigenvalue (Required)
- free\_power\_iterations: The number of free power iterations (Default = 4)
- k0: Initial guess of the eigenvalue (Default = 1)
- normal\_factor: Normalize x to make  $|x|$  equal to this factor
- normalization: To evaluate  $|x|$  for normalization
- output\_on\_final: True to disable all the intermediate exodus outputs (Default = 0)
- output\_pi\_history: True to output solutions during PI (Default = 0)
- pfactor: The factor of residual to be reduced per power iteration (Default = 0.01)
- restart\_file\_base: File base name used for restart
- source\_abs\_tol: Absolute tolerance on residual norm (Default = 1e-06)
- source\_rel\_tol: Relative tolerance on residual norm after free power iterations (Default = 1e-50)
- splitting: Top-level splitting defining a hierarchical decomposition into subsystems to help the solver.
- time: System time (Default = 0)
- Default: 0
- type: NonlinearEigen (Default)
- xdiff: To evaluate  $|x-x_{previous}|$  for power iterations
- The Steady needs following parameters:
  - restart\_file\_base: File base name used for restart
  - splitting: Top-level splitting defining a hierarchical decomposition into subsystems to help the solver.
  - type: Steady (Default)

The Transient needs following parameters:

- `abort_on_solve_fail`: Abort if solve not converged rather than cut timestep (Default = 0)
- `dt`: The timestep size between solves (Default = 1)
- `dtmax`: The maximum timestep size in an adaptive run (Default = 1e+30)
- `dtmin`: The minimum timestep size in an adaptive run (Default = 2e-14)
- `end_time`: The end time of the simulation (Default = 1e+30)
- `n_startup_steps`: The number of timesteps during startup (Default = 0)
- `num_steps`: The number of timesteps in a transient run (Default = 4294967295)
- `picard_abs_tol`: The absolute nonlinear residual to shoot for during Picard iterations. This check is performed based on the Master app's nonlinear residual (Default = 1e-50)
- `picard_max_its`: Number of times each timestep will be solved. Mainly used when wanting to do Picard iterations with MultiApps that are set to `execute_on timestep` or `timestep_begin` (Default = 1)
- `picard_rel_tol`: The relative nonlinear residual drop to shoot for during Picard iterations. This check is performed based on the Master app's nonlinear residual (Default = 1e-08)
- `predictor_scale`: The scale factor for the predictor (can range from 0 to 1)
- `reset_dt`: Use when restarting a calculation to force a change in dt (Default = 0)
- `restart_file_base`: File base name used for restart
- `scheme`: Time integration scheme used (Default = implicit-euler)
- `splitting`: Top-level splitting defining a hierarchical decomposition into subsystems to help the solver.
- `ss_check_tol`: Whenever the relative residual changes by less than this the solution will be considered to be at steady state (Default = 1e-08)
- `ss_tmin`: Minimum number of timesteps to take before checking for steady state conditions (Default = 0)
- `start_time`: The start time of the simulation (Default = 0)
- `time_period_ends`: The end times of time periods
- `time_period_starts`: The start times of time periods
- `time_periods`: The names of periods
- `timestep_tolerance`: The tolerance setting for final timestep size and sync times (Default = 2e-14)
- `trans_ss_check`: Whether or not to check for steady state conditions (Default = 0)
- `type`: Transient (Default)
- `use_multiapp_dt`: If true then the dt for the simulation will be chosen by the MultiApps. If false (the default) then the minimum over the master dt and the MultiApps is used (Default = 0)
- `verbose`: Print detailed diagnostics on timestep calculation (Default = 0)

The `Adaptivity` needs following parameters:

- `coarsen_fraction`: The fraction of elements or error to coarsen. Should be between 0 and 1 (Default = 0)
- `cycles_per_step`: The number of adaptivity cycles per step (Default = 1)
- `error_estimator`: The class name of the error estimator you want to use (Default = KellyErrorEstimator)
- `initial_adaptivity`: The number of adaptivity steps to perform using the initial conditions (Default = 0)
- `max_h_level`: Maximum number of times a single element can be refined. If 0 then infinite (Default = 0)
- `print_changed_info`: Determines whether information about the mesh is printed when adaptivity occurs (Default = 0)
- `refine_fraction`: The fraction of elements or error to refine. Should be between 0 and 1 (Default = 0)
- `start_time`: The time that adaptivity will be active after (Default = -1.79769e+308)
- `steps`: The number of adaptivity steps to perform at any one time for steady state (Default = 0)
- `stop_time`: The time after which adaptivity will no longer be active (Default = 1.79769e+308)
- `weight_names`: List of names of variables that will be associated with `weight_values`
- `weight_values`: List of values between 0 and 1 to weight the associated `weight_names` error by

The `Predictor` block has `AdamsPredictor` and `SimplePredictor`. The `AdamsPredictor` needs following parameters:

- order: The maximum reachable order of the Adams-Bashforth Predictor (Default = 2)
- scale: The scale factor for the predictor (can range from 0 to 1) (Required)
- type: AdamsPredictor (Default)
- The SimplePredictor needs following parameters:
- scale: The scale factor for the predictor (can range from 0 to 1) (Required)
- type: SimplePredictor (Default)
- The Quadrature needs following parameters:
- element\_order: Order of the quadrature for elements (Default = AUTO)
- order: Order of the quadrature (Default = AUTO)
- side\_order: Order of the quadrature for sides (Default = AUTO)
- type: Type of the quadrature rule (Default = GAUSS)

The TimeStepper block has following syntaxes. The AB2PredictorCorrector needs following parameters:

- dt: Initial time step size (Required)
- e\_max: Maximum acceptable error (Required)
- e\_tol: Target error tolerance (Required)
- max\_increase: Maximum ratio that the time step can increase (Default = 1e+09)
- reset\_dt: Use when restarting a calculation to force a change in dt (Default = 0)
- scaling\_parameter: Scaling parameter for dt selection (Default = 0.8)
- start\_adapting: When to start taking adaptive time steps (Default = 2)
- steps\_between\_increase: The number of time steps before recalculating dt (Default = 1)
- type: AB2PredictorCorrector (Default)
- The ConstantDT needs following parameters:
- dt: Size of the time step (Required)
- reset\_dt: Use when restarting a calculation to force a change in dt (Default = 0)
- type: ConstantDT (Default)

The DT2 needs following parameters:

- dt: The initial time step size (Default = 1) (Required)
- e\_max: Maximum acceptable error (Required)
- e\_tol: Target error tolerance. (Required)
- max\_increase: Maximum ratio that the time step can increase (Default = 1e+09)
- reset\_dt: Use when restarting a calculation to force a change in dt (Default = 0)
- type: DT2 (Default)

The FunctionDT needs following parameters:

- growth\_factor: Maximum ratio of new to previous timestep sizes following a step that required the time step to be cut due to a failed solve (Default = 2)
- min\_dt: The minimal dt to take (Default = 0)
- reset\_dt: Use when restarting a calculation to force a change in dt (Default = 0)
- time\_dt: The values of dt
- time\_t: The values of t
- type: FunctionDT (Default)

The IterationAdaptiveDT needs following parameters:

- cutback\_factor: Factor to apply to timestep if difficult convergence (if 'optimal\_iterations' is specified) or if solution failed (Default = 0.5)
- dt: The default timestep size between solves

- `force_step_every_function_point`: Forces the timestepper to take a step that is consistent with points defined in the function (Default = 0)
- `growth_factor`: Factor to apply to timestep if easy convergence (if 'optimal\_iterations' is specified) or if recovering from failed solve (Default = 2)
- `iteration_window`: The size of the nonlinear iteration window for adaptive timestepping (default =  $0.2 * \text{optimal\_iterations}$ )
- `linear_iteration_ratio`: The ratio of linear to nonlinear iterations to determine target linear iterations and window for adaptive timestepping (default = 25)
- `max_function_change`: The absolute value of the maximum change in `timestep_limiting_function` over a timestep
- `optimal_iterations`: The target number of nonlinear iterations for adaptive timestepping
- `reset_dt`: Use when restarting a calculation to force a change in dt (Default = 0)
- `time_dt`: The values of dt
- `time_t`: The values of t
- `timestep_limiting_function`: A function used to control the timestep by limiting the change in the function over a timestep
- `type`: IterationAdaptiveDT (Default)

The `PostprocessorDT` needs following parameters:

- `dt`: Initial value of dt
- `postprocessor`: The name of the postprocessor that computes the dt (Required)
- `reset_dt`: Use when restarting a calculation to force a change in dt (Default = 0)
- `type`: PostprocessorDT (Default)

The `SolutionTimeAdaptiveDT` needs following parameters:

- `adapt_log`: Output adaptive time step log (Default = 0)
- `dt`: The timestep size between solves (Required)
- `initial_direction`: Direction for the first step. 1 for up and -1 for down (Default = 1)
- `percent_change`: Percentage to change the timestep by. Should be between 0 and 1 ((Default = 0.1)
- `reset_dt`: Use when restarting a calculation to force a change in dt (Default = 0)
- `type`: SolutionTimeAdaptiveDT (Default)

### Functions block

- `type`: Functions (Required)

The `AreaDensityFunction` needs following parameters:

- `area_function`: function to compute the cross section (Required)
- `type`: AreaDensityFunction (Default)

The `AreaFunction` needs following parameters:

- `Ao`: Coefficient for the function
- `Bo`: Coefficient for the function
- `left`: Value of the left bound
- `length`: Length of the variable area
- `type`: AreaFunction (Default)

The `CompositeFunction` needs following parameters:

- `functions`: The functions to be multiplied together.
- `scale_factor`: Scale factor to be applied to the ordinate values (Default =1)
- `type`: `CompositeFunction` (Default)

The `ConstantFunction` needs following parameters:

- `type`: `ConstantFunction` (Default)
- `value`: The constant value (Default =0)

The `ConstantTimesAreaFunction` needs following parameters:

- `area`: The area function (Required)
- `type`: `ConstantTimesAreaFunction` (Default)
- `value`: Value of the constant to be multiplied by the area (Required)

The `GeneralizedCircumference` needs following parameters:

- `area_function`: function to compute the cross section (Required)
- `type`: `GeneralizedCircumference` (Default)

The `HydraulicDiameterFunction` needs following parameters:

- `area_function`: function to compute the cross section (Required)
- `type`: `HydraulicDiameterFunction` (Default)

The `LinearFunction` needs following parameters:

- `a`: The constant in  $a + b * x$  (Required)
- `b`: The gradient value in  $a + b * x$  (Required)
- `type`: `LinearFunction` (Default)
- `x_func`: The  $x$  function (Required)

The `LinearTransitionFunction` needs following parameters:

- `type`: `LinearTransitionFunction` (Default)
- `value_L`: left-side (constant) value (Required)
- `value_R`: right-side (constant) value (Required)
- `x_L`: left endpoint of the function domain (Required)
- `x_R`: right endpoint of the function domain (Required)
- `x_l`: left endpoint of the transition region (Required)
- `x_r`: right endpoint of the transition region (Required)

The `ParsedFunction` needs following parameters:

- `type`: `ParsedFunction` (Default)
- `vals`: The initial values of the variables (optional)

- value: The user defined function (Required)
- vars: The constant variables (excluding t,x,y,z) in the forcing function.

The `ParsedGradFunction` needs following parameters:

- grad\_x: Partial with respect to x (Default = 0)
- grad\_y: Partial with respect to y (Default = 0)
- grad\_z: Partial with respect to z (Default = 0)
- type: `ParsedGradFunction` (Default)
- vals: The initial values of the variables (optional)
- value: User defined function (Default = 0)
- vars: The constant variables (excluding t,x,y,z) in the forcing function.

The `ParsedVectorFunction` needs following parameters:

- type: `ParsedVectorFunction` (Default)
- vals: The initial values of the variables (optional)
- value\_x: x-component of function (Default = 0)
- value\_y: y-component of function (Default = 0)
- value\_z: z-component of function (Default = 0)
- vars: The constant variables (excluding t,x,y,z) in the forcing function.

The `PiecewiseBilinear` needs following parameters:

- axis: The axis used (0, 1, or 2 for x, y, or z) (Default = -1)
- data\_file: File holding csv data for use with `PiecewiseBilinear`
- radial: Set to true if you want to interpolate along a radius rather than along a specific axis, and note that you have to define x-axis and y-axis in the input file (Default = 0)
- scale\_factor: Scale factor to be applied to the axis, yaxis, or xaxis values (Default = 0)
- type: `PiecewiseBilinear` (Default)
- xaxis: The coordinate used for x-axis data (0, 1, or 2 for x, y, or z) (Default = -1)
- yaxis: The coordinate used for y-axis data (0, 1, or 2 for x, y, or z) (Default = -1)

The `PiecewiseConstant` needs following parameters:

- axis: The axis used (0, 1, or 2 for x, y, or z) if this is to be a function of position
- data\_file: File holding csv data for use with `Piecewise`
- direction: Direction to look to find value: left, right (Default = left)
- format: Format of csv data file that is in either in columns or rows (Default= rows)
- scale\_factor: Scale factor to be applied to the ordinate values (Default = 1)
- type: `PiecewiseConstant` (Default )
- x: The abscissa values
- xy\_data: All function data, supplied in abscissa, ordinate pairs
- y: The ordinate values

The `PiecewiseLinear` needs following parameters:

- axis: The axis used (0, 1, or 2 for x, y, or z) if this is to be a function of position
- data\_file: File holding csv data for use with Piecewise
- format: Format of csv data file that is in either in columns or rows (Default = rows)
- scale\_factor: Scale factor to be applied to the ordinate values (Default = 1)
- type: PiecewiseLinear (Default)
- x: The abscissa values
- xy\_data: All function data, supplied in abscissa, ordinate pairs
- y: The ordinate values

The PiecewiseLinearFile needs following parameters:

- axis: The axis used (0, 1, or 2 for x, y, or z) if this is to be a function of position
- data\_file: File holding csv data for use with Piecewise
- format: Format of csv data file that is in either in columns or rows (Default = rows)
- scale\_factor: Scale factor to be applied to the ordinate values (Default = 1)
- type: PiecewiseLinearFile (Default)
- x: The abscissa values
- xy\_data: All function data, supplied in abscissa, ordinate pairs
- y: The ordinate values

The PiecewiseMultilinear needs following parameters:

- data\_file: File holding data for use with PiecewiseMultilinear. Format: any empty line and any line beginning with # are ignored, all other lines are assumed to contain relevant information. The file must begin with specification of the grid. This is done through lines containing the keywords: AXIS X; AXIS Y; AXIS Z; or AXIS T. Immediately following the keyword line must be a space-separated line of real numbers which define the grid along the specified axis. These data must be monotonically increasing. After all the axes and their grids have been specified, there must be a line that is DATA. Following that line, function values are given in the correct order (they may be on individual lines, or be space-separated on a number of lines). When the function is evaluated,  $f[i,j,k,l]$  corresponds to the  $i + j*N_i + k*N_i*N_j + l*N_i*N_j*N_k$  data value. Here  $i \geq 0$  corresponding to the index along the first AXIS,  $j \geq 0$  corresponding to the index along the second AXIS, etc, and  $N_i$  = number of grid points along the first AXIS, etc.
- type: PiecewiseMultilinear (Default)

The PowerProfileFunction needs following parameters:

- coef: Coefficient to multiply this function with(Default = 1)
- component: Component of the position to use for computation (Required)
- length: The length (Required)
- type: PowerProfileFunction (Default)

The ReactivityFunction needs following parameters:

- fuelElementNo: Fuel element number
- fuelReactivity: Doppler reactivity table
- fuelTempCoefficient: Fuel temperature coefficient
- fuelTemperature: Fuel temperature table for reactivity
- fuelWeightingFactor: Fuel weighting factor

- modDensity: Moderator density table for reactivity
- modElementNo: Moderator element number
- modReactivity: Moderator reactivity
- modTempCoefficient: Moderator temperature coefficient
- modWeightingFactor: Moderator weighting factor
- type: ReactivityFunction (Default)

The RhoEFromPressureDensityVelocityFunction needs following parameters:

- eos: The name of equation of state object to use (Required)
- pressure\_func: The pressure spatial distribution function (Required)
- rho\_func: The density spatial distribution function (Required)
- type: RhoEFromPressureDensityVelocityFunction (Default)
- velocity\_func: The velocity spatial distribution function (Required)

The RhoFromPressureFunction needs following parameters:

- eos: The name of equation of state object to use (Required)
- pressure: The pressure distribution function (Required)
- type: RhoFromPressureFunction (Default)

The RhoFromPressureTemperatureVoidFunction needs following parameters:

- eos: The name of equation of state object to use (Required)
- pressure\_func: The pressure spatial distribution function (Required)
- temperature\_func: The pressure spatial distribution function (Required)
- type: RhoFromPressureTemperatureVoidFunction (Default)
- void\_fraction\_func: The void fraction spatial distribution function (Required)

The RhoEFunction needs following parameters:

- rhoE\_func: The rhoE spatial distribution function (Required)
- rho\_func: The density spatial distribution function (Required)
- type: RhoEFunction (Default)
- vel\_func: The velocity spatial distribution function (Required)

The SolutionFunction needs following parameters:

- add\_factor: Add this value (b) to the solution (x):  $ax+b$ , where a is the 'scale\_factor' (Default = 0)
- from\_variable: The name of the variable in the file that is too be extracted
- scale\_factor: Scale factor (a) to be applied to the solution (x):  $ax+b$ , where b is the 'add\_factor' (Default = 1)
- solution: The SolutionUserObject to extract data from (Required)
- type: SolutionFunction (Default)

The SplineFunction needs following parameters:

- type: SplineFunction (Default)



- x: The abscissa values (Required)
- y: The ordinate values (Required)
- yp1: The value of the first derivative of the interpolating function at point 1 (Default = 1e+30)
- ypn: The value of the first derivative of the interpolating function at point n (Default= 1e+30)

The StepFunctionPke needs following parameters:

- spacep: The space points
- type: StepFunctionPke (Default)
- value: The constant values of all time steps

The TotalEnthalpyFunction needs following parameters:

- pressure\_func: The pressure spatial distribution function (Required)
- rhoE\_func: The rhoE spatial distribution function (Required)
- rho\_func: The density spatial distribution function (Required)
- type: TotalEnthalpyFunction (Default)

#### **Components block**

- type: Components (Required)

Pipe component

- A: Area of the pipe
- A\_func: Function which defines pipe area as a function of x
- Dh: Hydraulic diameter
- HT\_geometry\_code: Heat transfer geometry code (Default = 0)
- Hw: Convective heat transfer coefficient
- P\_func: Function which defines pressure as a function of x
- P\_liquid\_func: Function which defines liquid phase pressure as a function of x
- P\_vapor\_func: Function which defines vapor phase pressure as a function of x
- Phf: Heat flux perimeter
- PoD: Pitch to diameter ratio for parallel bundle heat transfer (Default = 1)
- T\_func: Function which defines temperature as a function of x
- T\_liquid\_func: Function which defines liquid phase temperature as a function of x
- T\_vapor\_func: Function which defines vapor phase temperature as a function of x
- Tw: Wall temperature
- V\_func: Function which defines velocity as a function of x
- V\_liquid\_func: Function which defines liquid phase velocity as a function of x
- V\_vapor\_func: Function which defines vapor phase velocity as a function of x
- component\_type: The type of the component (Default = Pipe)
- controlled: Controlled properties
- eos: The name of EOS to use
- eos\_liquid: The name of EOS to use
- eos\_vapor: The name of EOS to use
- f: friction
- f\_interface: interface friction (Default = 0)
- initial\_P: Initial pressure in the pipe

- initial\_T: Initial temperature in the pipe
- initial\_V: Initial velocity in the pipe
- initial\_volume\_fraction\_vapor: Initial vapor volume fraction in the pipe
- length: Length of the pipe (Required)
- model\_type: Which physical model to use (locally)
- monitored: Properties that can be monitored
- n\_elems: number of element in this pipe (Required)
- offset: Offset of the origin for mesh generation (Default = 0 0 0)
- operators: Post-processor operators can be used on monitored properties
- orientation: Orientation vector of the pipe (Required)
- physics\_input\_file: Input file with physics
- position: Origin (start) of the pipe (Required)
- q\_wall: Wall heat flux
- q\_wall\_func: Function which defines wall heat flux as a function of x
- rotation: Rotation of the component (in degrees) (Default = 0)
- roughness: Roughness, [m] (Default = 0)
- shape\_factor: User-input shape factor for laminar friction factor for non-circular flow channels (Default = 1)
- shock\_capturing: Use shock capturing or not (locally)
- stabilization\_type: Local stabilization scheme to use
- type: (Default = Pipe)
- volume\_fraction\_vapor\_func: Function which defines vapor volume fraction as a function of x

#### PipeWithHeatStructure component

- Pipe with heat structure need following parameters:
- A: Area of the pipe
- A\_func: Function which defines pipe area as a function of x
- Dh: Hydraulic diameter
- HS\_BC\_type: Heat structure boundary condition type (Default = Adiabatic)
- HT\_geometry\_code: Heat transfer geometry code (Default = 0)
- Hw: Convective heat transfer coefficient
- P\_func: Function which defines pressure as a function of x
- P\_liquid\_func: Function which defines liquid phase pressure as a function of x
- P\_vapor\_func: Function which defines vapor phase pressure as a function of x
- Phf: Heat flux perimeter
- PoD: Pitch to diameter ratio for parallel bundle heat transfer (Default = 1)
- T\_amb: Ambient temperature (Default = 300K)
- T\_bc: Fixed Temperature BC (Default = 600K)
- T\_func: Function which defines temperature as a function of x
- T\_liquid\_func: Function which defines liquid phase temperature as a function of x
- T\_vapor\_func: Function which defines vapor phase temperature as a function of x
- Ts\_init: Initial solid temperature (Required)
- Tw: Wall temperature
- V\_func: Function which defines velocity as a function of x
- V\_liquid\_func: Function which defines liquid phase velocity as a function of x
- V\_vapor\_func: Function which defines vapor phase velocity as a function of x
- component\_type: The type of the component (Default = pipe)
- controlled: Controlled properties
- dim\_hs: The dimension of the mesh used for the heat structure: 1 = 1D, 2 = 2D (Default =2)
- elem\_number\_of\_hs: Number of elements of heat structure (Required)

- eos: The name of EOS to use
- eos\_liquid: The name of EOS to use
- eos\_vapor: The name of EOS to use
- f: friction
- f\_interface: interface friction (Default = 0)
- h\_amb: Convective heat transfer coefficient with ambient (Default = 0.01)
- heat\_source\_liquid: Heat source in liquid (Default = 0)
- heat\_source\_solid: Heat source in solid (Default = 0)
- hs\_type: Geometry type of the heat structure (Default = plate)
- initial\_P: Initial pressure in the pipe
- initial\_T: Initial temperature in the pipe
- initial\_V: Initial velocity in the pipe
- initial\_volume\_fraction\_vapor: Initial vapor volume fraction in the pipe
- length: Length of the pipe (Required)
- material\_hs: Name of the material used in the heat structure (Required)
- model\_type: Which physical model to use (locally)
- monitored: Properties that can be monitored
- n\_elems: Number of element in this pipe (Required)
- offset: Offset of the origin for mesh generation (Default = 0 0 0)
- operators: Post-processor operators can be used on monitored properties
- orientation: Orientation vector of the pipe (Required)
- physics\_input\_file: Input file with physics
- position: Origin (start) of the pipe (Required)
- q\_wall: Wall heat flux
- q\_wall\_func: Function which defines wall heat flux as a function of x
- radius\_i: The radius of the inner pipe wall (Required)
- rotation: Rotation of the component (in degrees) (Default = 0)
- roughness: roughness, [m] (Default = 0)
- shape\_factor: User-input shape factor for laminar friction factor for non-circular flow channels (Default = 1)
- shock\_capturing: Use shock capturing or not (locally)
- stabilization\_type: Local stabilization scheme to use
- type: PipeWithHeatStructure (Default)
- volume\_fraction\_vapor\_func: Function which defines vapor volume fraction as a function of x
- width\_of\_hs: Width of heat structure (Required)

#### CoreChannel component

- A: Area of the primary side pipe (Required)
- Dh: Hydraulic diameter (Required)
- HT\_geometry\_code: Heat transfer geometry code (Default = 0)
- Hw: Convective heat transfer coefficient
- Phf: Heat flux perimeter (Required)
- PoD: Pitch to diameter ratio for parallel bundle heat transfer (Default = 1)
- Ts\_init: Initial solid temperature (Required)
- component\_type: The type of the component (Default = pipe)
- controlled: Controlled properties
- decay\_heat: Decay heat curve
- depth: The dimension of plate fuel in the third direction, m
- dim\_hs: The dimension of the mesh used for the heat structure: 1 = 1D, 2 = 2D (Default = 2)
- elem\_number\_of\_hs: Number of elements of each heat structure (Required)

- eos: The name of EOS to use (Required)
- eos\_liquid: The name of liquid EOS to use
- eos\_vapor: The name of vapor EOS to use
- f: friction
- f\_interface: Interface friction (Default = 0)
- feedback\_components: Core channel feedback component
- fuelReactivity: Doppler reactivity table
- fuelTempCoefficient: Fuel temperature coefficient
- fuelTemperature: Fuel temperature table for reactivity
- fuelWeightingFactor: Fuel weighting factor
- fuel\_type: Geometry type of the fuel (Default = plate)
- initial\_P: Initial pressure in the pipe
- initial\_T: Initial temperature in the pipe
- initial\_V: Initial velocity in the pipe
- initial\_volume\_fraction\_vapor: Initial vapor volume fraction in the pipe
- length: Length of the heat exchanger (Required)
- material\_hs: Name of the materials used in the heat structures (Required)
- mesh\_disp\_gap: Mesh offset when creating heat structure meshes (Default = 0.02)
- modDensity: Moderator density table for reactivity
- modReactivity: Moderator reactivity
- modTempCoefficient: Moderator temperature coefficient
- modWeightingFactor: Moderator weighting factor
- model\_type: Which physical model to use (locally)
- monitored: Properties that can be monitored
- n\_elems: The number of elements in the heat exchanger (Required)
- n\_heatstruct: Number of heat structures (Required)
- name\_of\_hs: User given heat structure names (Required)
- operators: Post-processor operators can be used on monitored properties
- orientation: Orientation vector of the pipe (Required)
- physics\_input\_file: Input file with physics
- position: Origin (start) of the pipe (Required)
- power\_fraction: Fraction of reactor power goes into this core channel
- power\_shape\_function: Axial power shape of the fuel
- rotation: Rotation of the component (in degrees) (Default = 0)
- roughness: roughness, [m] (Default = 0)
- sections: Sections in this component
- shape\_factor: User-input shape factor for laminar friction factor for noncircular flow channels (Default = 1)
- shock\_capturing: Use shock capturing or not (locally)
- stabilization\_type: Locally applied stabilization
- type: CoreChannel (Default)
- width\_of\_hs: Width of each heat structure (Required)

#### HeatExchanger component

- A: Area of the primary side pipe
- A\_secondary: Area of the secondary side pipe
- Dh: Hydraulic diameter
- Dh\_secondary: Hydraulic diameter of the secondary side pipe
- HT\_geometry\_code: Heat transfer geometry code (Default = 0)
- HT\_geometry\_code\_secondary: Heat transfer geometry code for secondary side (Default = 0)

- Hw: Convective heat transfer coefficient
- Hw\_secondary: Secondary side convective heat transfer coefficient
- Phf: Heat flux perimeter
- Phf\_secondary: Heat flux perimeter on the secondary side pipe
- PoD: Pitch to diameter ratio for parallel bundle heat transfer (Default = 1)
- PoD\_secondary: Pitch to diameter ratio for parallel bundle heat transfer for secondary side (Default = 1)
- Twall\_init: Initial wall temperature
- component\_type: Type of the component (Default = pipe)
- controlled: Controlled properties
- dim\_wall: The dimension of the mesh used for the wall: 1 = 1D, 2 = 2D (default=2)
- disp\_mode: 1.0 for +y display, -1.0 for -y display. More complicated display modes are necessary (Default =1)
- eos: The name of EOS to use
- eos\_secondary: The name of EOS to use for secondary side
- f: friction
- f\_secondary: Secondary side friction
- heat\_transfer\_area\_error\_tolerance: The ratio of ( $A \cdot a_w$ ) at two sides of HX must be equal to 1 for plate type and be equal to the ratio of inner and outer pipe diameters for cylinder type within this relative tolerance value (Default =0.001)
- hs\_type: Geometry type of the heat structure: plate (default) or cylinder (Default = plate)
- initial\_P: Initial pressure in the pipe
- initial\_P\_secondary: Initial pressure for secondary side
- initial\_T: Initial temperature in the pipe
- initial\_T\_secondary: Initial temperature for secondary side
- initial\_V: Initial velocity in the pipe
- initial\_V\_secondary: Initial velocity for secondary side
- initial\_volume\_fraction\_vapor: Initial vapor volume fraction in the pipe
- initial\_volume\_fraction\_vapor\_secondary: Initial vapor volume fraction for secondary side
- length: Length of the heat exchanger
- material\_wall: Name of the material used in the wall
- model\_type\_primary: Which physical model to use (locally on the primary pipe)
- model\_type\_secondary: Which physical model to use (locally on the secondary pipe)
- monitored: Properties that can be monitored
- n\_elems: The number of elements in the heat exchanger
- n\_wall\_elems: Number of elements in the wall
- operators: Post-processor operators can be used on monitored properties
- orientation: Orientation vector of the pipe
- physics\_input\_file: Input file with physics
- position: Origin (start) of the pipe
- radius\_i: The radius of the inner pipe wall (Default =1)
- rotation: Rotation of the component (in degrees) (Default = 0)
- roughness: roughness, [m] (Default=0)
- roughness\_secondary: Roughness for secondary side, [m] (Default = 0)
- shape\_factor: User-input shape factor for laminar friction factor for noncircular flow channels (Default=1)
- shape\_factor\_secondary: User-input shape factor for laminar friction factor for noncircular flow channels for secondary side (Default = 1)
- shock\_capturing\_primary: Use shock capturing or not (locally on the primary pipe)
- shock\_capturing\_secondary: Use shock capturing or not (locally on the secondary pipe)
- stabilization\_type\_primary: Type of stabilization to use, applies locally on the primary pipe
- stabilization\_type\_secondary: Type of stabilization to use, applies locally on the secondary pipe
- type: HeatExchanger (Default)
- wall\_thickness: Thickness of the wall between primary and secondary loop

Branch component

- Area: Reference area of this branch (Required)
- K: Form loss coefficients (Required)
- component\_type: The type of the component (Default = junction)
- controlled: Controlled properties
- eos: The name of equation of state object to use (Required)
- initial\_P: Initial pressure of this branch
- initial\_volume\_fraction\_vapor: Initial vapor volume fraction in the Branch
- inputs: Inputs of this junction
- monitored: Properties that can be monitored
- operators: Post-processor operators can be used on monitored properties
- outputs: Outputs of this junction
- physics\_input\_file: Input file with physics
- sections: Sections in this component
- type: Branch (Default)

DGFlowJunction component needs following parameters:

- component\_type: The type of the component (Default = junction)
- eos: The name of equation of state object to use (Required)
- initial\_P: Initial pressure in the pipe
- initial\_T: Initial temperature in the pipe
- initial\_V: Initial velocity in the pipe
- inputs: Inputs of this junction
- junction\_area: Area of the junction (Required)
- junction\_gravity: Gravity in the junction (Required)
- junction\_loss: Loss in the junction (Required)
- junction\_vol: Volume of the junction (Required)
- outputs: Outputs of this junction
- physics\_input\_file: Input file with physics
- type: DGFlowJunction (Default)

FlowJunction component needs following parameters:

- K: Form loss coefficients
- component\_type: The type of the component (Default = junction)
- eos: The name of equation of state object to use (Required)
- inputs: Inputs of this junction
- outputs: Outputs of this junction
- physics\_input\_file: Input file with physics
- type: FlowJunction (Default)

PipeToPipeJunction component needs following parameters:

- component\_type: The type of the component (Default = junction)
- eos: The name of equation of state object to use (Required)
- initial\_P: Initial pressure in the pipe
- initial\_T: Initial temperature in the pipe
- initial\_V: Initial velocity in the pipe
- inputs: Inputs of this junction
- junction\_loss: Loss in the junction (Required)
- outputs: Outputs of this junction

- physics\_input\_file: Input file with physics
- type: PipeToPipeJunction (Default)
- SimpleJunction component needs following parameters:
- component\_type: The type of the component (Default = junction)
- eos: The name of equation of state object to use
- eos\_liquid: The name of equation of state object to use for liquid phase.
- eos\_vapor: The name of equation of state object to use for vapor phase.
- Inputs: Inputs of this junction
- Outputs: Outputs of this junction
- physics\_input\_file: Input file with physics
- scaling\_factor: Scaling factor for the Lagrange multiplier variable (Default=1)
- type: SimpleJunction (Default)

SubchannelBranch needs following parameters:

- Area: Reference area of this branch (Required)
- K: Form loss coefficients (Required)
- center: geometric center of the volume (Required)
- component\_type: The type of the component (Default=junction)
- controlled: Controlled properties
- display\_pps: Display post processors (Default = 0)
- eos: The name of equation of state object to use (Required)
- initial\_P: Initial pressure of this branch
- initial\_T: Initial temperature of this branch
- initial\_V: Initial average speed of this branch
- initial\_volume\_fraction\_vapor: Initial vapor volume fraction of this branch
- inputs: Inputs of this junction
- monitored: Properties that can be monitored
- operators: Post-processor operators can be used on monitored properties
- outputs: Outputs of this junction
- physics\_input\_file: Input file with physics
- scale\_factors: Variable scale factor (Default = 0.001 0.001 0.001)
- sections: Sections in this component
- type: SubchannelBranch (Default)
- volume: Volume of the component (Required)

VolumeBranch component needs following parameters:

- Area: Reference area of this branch (Required)
- K: Form loss coefficients (Required)
- center: geometric center of the volume (Required)
- component\_type: The type of the component (Default = junction)
- controlled: Controlled properties
- display\_pps: Display post processors (Default = 0)
- eos: The name of equation of state object to use (Required)
- initial\_P: Initial pressure of this branch
- initial\_T: Initial temperature of this branch
- initial\_V: Initial average speed of this branch
- initial\_volume\_fraction\_vapor: Initial vapor volume fraction of this branch
- inputs: Inputs of this junction
- monitored: Properties that can be monitored
- operators: Post-processor operators can be used on monitored properties
- outputs: Outputs of this junction

- physics\_input\_file: Input file with physics
- scale\_factors: Variable scale factor (Default = 0.001 0.001 0.001)
- sections: Sections in this component
- type: VolumeBranch (Default)
- volume: Volume of the component (Required)

#### IdealPump component

- Initial\_pressure: Initial pressure of this branch (Required)
- component\_type: The type of the component (Default = junction)
- controlled: Controlled properties
- eos: The name of equation of state object to use (Required)
- inputs: Inputs of this junction
- mass\_flow\_rate: The ideal mass flow rate this pump will achieve (Required)
- monitored: Properties that can be monitored
- operators: Post-processor operators can be used on monitored properties
- outputs: Outputs of this junction
- physics\_input\_file: Input file with physics
- sections: Sections in this component
- type: IdealPump (Default)

#### Pump component needs following parameters:

- Area: Reference area for the pump (Required)
- Head: Pump head (Default=0)
- Initial\_pressure: Initial pressure of this branch (Required)
- K\_reverse: Form loss coefficients in reverse direction (Required)
- component\_type: The type of the component (Default = junction)
- controlled: Controlled properties
- driving\_component: Turbine component name to provide shaft work
- eos: The name of equation of state object to use (Required)
- inputs: Inputs of this junction
- isothermal: True if this is isothermal pump model (Default = 0)
- monitored: Properties that can be monitored
- operators: Post-processor operators can be used on monitored properties
- outputs: Outputs of this junction
- physics\_input\_file: Input file with physics
- sections: Sections in this component
- type: Pump (Default)

#### Turbine component

- Initial\_T: Initial temperature of this turbine, [K]
- Initial\_p: Initial pressure of this turbine, [Pa]
- T0\_design: Nominal design inlet stagnation temperature, [K] (Required)
- Turbine\_efficiency: Turbine thermal efficiency, [-] (Required)
- component\_type: The type of the component (Default = junction)
- controlled: Controlled properties
- eos: The name of equation of state object to use (Required)
- inputs: Inputs of this junction



- `is_shutdown`: True if the turbine is shutdown by control (Default = 0)
- `max_mass_flow_rate`: Maximal mass flow rate, [kg/s] (Required)
- `monitored`: Properties that can be monitored
- `operators`: Post-processor operators can be used on monitored properties
- `outputs`: Outputs of this junction
- `p0_design`: Nominal design inlet stagnation pressure, [Pa] (Required)
- `physics_input_file`: Input file with physics
- `pressure_ratio_design`: Ratio of pressures at inlet and outlet for design condition, [-] (Required)
- `relative_mass_flow_rate_design`: Relative mass flow rate at design point over maximal mass flow rate, [-] (Default = 0.95)
- `scale_factors`: Variable scale factors for inlet pressure, outlet pressure, outlet density, and turbine shaft work (Default = 0.001 0.001 0.001 0.001)
- `sections`: Sections in this component
- `type`: Turbine (Default)

#### SeparatorDryer

- `Area`: Reference area of this branch (Required)
- `K`: Form loss coefficients (Required)
- `center`: geometric center of the volume (Required)
- `component_type`: The type of the component (Default = junction)
- `controlled`: Controlled properties
- `eos`: The name of equation of state object to use (Required)
- `exit_target_void_fraction`: Target void fraction at the SeparatorDryer exit
- `initial_P`: Initial pressure of this branch
- `initial_T`: Initial temperature in the SeparatorDryer
- `initial_V`: Initial velocity in the SeparatorDryer
- `initial_volume_fraction_vapor`: Initial vapor volume fraction in the SeparatorDryer
- `inputs`: Inputs of this junction
- `monitored`: Properties that can be monitored
- `operators`: Post-processor operators can be used on monitored properties
- `outputs`: Outputs of this junction
- `physics_input_file`: Input file with physics
- `scale_factor`: Variable scale factor (Default = 0.001)
- `scale_factors`: Variable scale factor (Default = 0.001 0.001 0.001)
- `sections`: Sections in this component
- `type`: SeparatorDryer (Default)
- `volume`: Volume of the component (Required)

#### DownComer component

- `Area`: Reference area of this branch (Required)
- `K`: Form loss coefficients (Required)
- `center`: Geometric center of the volume (Required)
- `component_type`: The type of the component (Default = junction)
- `controlled`: Controlled properties
- `display_pps`: Display post processors (Default = 0)
- `dome_component`: Steam dome component name to provide the dome pressure
- `dome_eos`: The name of equation of state object to use in the dome component (Required)

- eos: The name of equation of state object to use (Required)
- initial\_P: Initial pressure of this branch
- initial\_T: Initial temperature in the DownComer
- initial\_V: Initial velocity in the DownComer
- initial\_level: Initial liquid level
- initial\_volume\_fraction\_vapor: Initial vapor volume fraction in the DownComer
- inputs: Inputs of this junction
- monitored: Properties that can be monitored
- operators: Post-processor operators can be used on monitored properties
- outputs: Outputs of this junction
- physics\_input\_file: Input file with physics
- scale\_factors: Variable scale factor (Default = 0.001 0.001 0.001)
- sections: Sections in this component
- type: DownComer (Default)
- volume: Volume of the component (Required)

#### Valve component

- Area: Reference area of this branch (Required)
- K: Form loss coefficients (Required)
- center: Geometric center of the volume (Required)
- component\_type: The type of the component (Default = junction)
- controlled: Controlled properties
- eos: The name of equation of state object to use (Required)
- initial\_P: Initial pressure of this branch
- initial\_T: Initial temperature in the valve
- initial\_V: Initial velocity in the valve
- initial\_status: initial status of the valve (open, close) (Required)
- initial\_volume\_fraction\_vapor: Initial vapor volume fraction in the valve
- inputs: Inputs of this junction
- monitored: Properties that can be monitored
- operators: Post-processor operators can be used on monitored properties
- outputs: Outputs of this junction
- physics\_input\_file: Input file with physics
- response\_time: The response time the valve needs to open/close (Required)
- scale\_factors: variable scale factor (Default = 0.001 0.001 0.001)
- sections: Sections in this component
- trigger\_time: The time the valve is triggered (Required)
- type: Valve (Default)
- volume: Volume of the component (Required)

#### CheckValve component

- Area: Reference area of this branch (Required)
- K: Form loss coefficients (Required)
- back\_pressure: The dynamic pressure difference for the valve to trigger (Required)
- center: geometric center of the volume (Required)
- component\_type: The type of the component (Default = junction)
- controlled: Controlled properties
- eos: The name of equation of state object to use (Required)
- initial\_P: Initial pressure of this branch

- initial\_T: Initial temperature in the valve
- initial\_V: Initial velocity in the valve
- initial\_status: initial status of the valve (open, close) (Required)
- initial\_volume\_fraction\_vapor: Initial vapor volume fraction in the valve
- inputs: Inputs of this junction
- monitored: Properties that can be monitored
- operators: Post-processor operators can be used on monitored properties
- outputs: Outputs of this junction
- physics\_input\_file: Input file with physics
- response\_time: The response time the valve needs to open/close (Required)
- scale\_factors: variable scale factor (Default = 0.001 0.001 0.001)
- sections: Sections in this component
- type: CheckValve
- volume: Volume of the component (Required)

CompressibleValve component needs

- Area: Reference area of this branch (Required)
- K: Form loss coefficients (Required)
- center: geometric center of the volume (Required)
- component\_type: The type of the component (Default = junction)
- controlled: Controlled properties
- delta\_p\_close: Minimal pressure difference for closing a relieve valve, [Pa] (Default = -1e+100)
- delta\_p\_open: Minimal pressure difference for opening a relieve valve, [Pa] (Default = 1e+100)
- eos: The name of equation of state object to use (Required)
- initial\_P: Initial pressure of this branch
- initial\_T: Initial temperature of this branch
- initial\_V: Initial average speed of this branch
- initial\_status: Initial status of the valve (OPEN, CLOSE) (Required)
- initial\_volume\_fraction\_vapor: Initial vapor volume fraction of this branch
- inputs: Inputs of this junction
- is\_actuated\_by\_physics: True if the valve can only be actuated by physics, such as pressure difference (Required)
- is\_actuated\_by\_pressure\_difference: True if the valve is actuated by pressure difference; false if by inlet pressure (Required)
- monitored: Properties that can be monitored
- operators: Post-processor operators can be used on monitored properties
- outputs: Outputs of this junction
- physics\_input\_file: Input file with physics
- response\_time\_close: The response time the valve needs to close (Required)
- response\_time\_open: The response time the valve needs to open (Required)
- scale\_factors: variable scale factor (Default = 0.001 0.001 0.001)
- sections: Sections in this component
- type: CompressibleValve (Default)
- valve\_action: Valve control action (OPEN, CLOSE, NO\_ACTION); only for controllable valves (Default = NO\_ACTION)
- volume: Volume of the component (Required)

WetWell component

- Ac: Average cross section area for the wet well, [m<sup>2</sup>] (Required)
- K\_i: Form loss coefficient for steam inlet pipe in-flow (Default = 1)
- K\_ir: Form loss coefficient for steam inlet pipe out-flow (Default = 0.5)
- K\_o: Form loss coefficient for water outlet pipe out-flow (Default = 0.5)
- K\_or: Form loss coefficient for water outlet pipe in-flow (Default = 0.5)
- K\_v: Form loss coefficient for gas venting line out-flow (Default = 0.5)
- K\_vr: Form loss coefficient for gas venting line in-flow (Default = 1)
- Lt: Total effective height of the wet well, [m] (Required)
- Lw\_initial: Initial water level, [m] (Required)
- T\_initial: Initial gas and water temperature, [K] (Required)
- alpha\_s: Effective heat transfer coefficient for free surface, [W/K-m<sup>2</sup>] (Required)
- component\_type: The type of the component (Default = junction)
- controlled: Controlled properties
- cooling\_rate: Active heat removal rate from the immersed heat exchanger, [W] (Required)
- eos\_nc\_gas: The name of equation of state object for non-condensable gas (Required)
- eos\_vapor: The name of equation of state object for vapor (Required)
- eos\_water: The name of equation of state object for water (Required)
- inputs: Inputs of this junction
- monitored: Properties that can be monitored
- operators: Post-processor operators can be used on monitored properties
- outputs: Outputs of this junction
- p\_gas\_initial: Initial gas pressure, [Pa] (Required)
- physics\_input\_file: Input file with physics
- scale\_factors: Variable scale factors for gas mass, gas energy, water mass, water energy, and level (Default = 1e-07 1e-07 1e-07 1e-07 1e-07)
- sections: Sections in this component
- type: WetWell
- z\_in: Inlet steam pipe end elevation relative to the pool bottom, [m] (Required)
- z\_out: Outlet water pipe end elevation relative to the pool bottom, [m] (Required)

#### TimeDependentVolume component

- T\_bc: Given temperature on boundary
- T\_fn: Name of the temperature function
- component\_type: The type of the component (Default = boundary)
- controlled: Controlled properties
- eos: The name of equation of state object to use (Required)
- input: Name of the input (Required)
- monitored: Properties that can be monitored
- operators: Post-processor operators can be used on monitored properties
- p\_bc: Given pressure on boundary
- p\_fn: Name of the pressure function
- physics\_input\_file: Input file with physics
- sections: Sections in this component
- type: TimeDependentVolume
- volume\_fraction\_vapor\_bc: Given vapor volume fraction on boundary (Default = 1)
- weak\_bc: True for weakly imposed boundary conditions, false for strongly imposed boundary conditions (has effect only for 3 equation model) (Default = 1)

#### TimeDependentJunction components

- T\_bc: Desired temperature
- T\_fn: Name of the temperature function
- component\_type: The type of the component (Default = boundary)
- controlled: Controlled properties
- eos: The name of equation of state object to use (Required)
- input: Name of the input (Required)
- monitored: Properties that can be monitored
- operators: Post-processor operators can be used on monitored properties
- physics\_input\_file: Input file with physics
- sections: Sections in this component
- type: TimeDependentJunction (Default)
- v\_bc: Desired velocity
- v\_fn: Name of the velocity function
- volume\_fraction\_vapor\_bc: Given vapor volume fraction on boundary (Default =1)

#### Subchannel component

- Hw: Wall heat transfer coefficient (Required)
- aw: Heating surface density (Required)
- controlled: Controlled properties
- eos: The name of equation of state object to use (Required)
- f: Friction coefficient (Default = 1) (Required)
- k: conductivity (Required)
- lattice: fuel assembly dimension (Required)
- length: Length of subchannel (Required)
- monitored: Properties that can be monitored
- mu: dynamic viscosity (Required)
- n\_elems: The number of elements in the subchannel (Required)
- operators: Post-processor operators can be used on monitored properties
- orientation: Orientation vector of the pipe (Required)
- physics\_input\_file: Input file with physics
- pitch: Pitch of the fuel rod bundle (Required)
- position: Origin (start) of the pipe (Required)
- rod\_diameter: diameter of the fuel rods (Required)
- rotation: Rotation of the component (in degrees) (Default = 0)
- type: Subchannel

#### Reactor component

- controlled: Controlled properties
- decay\_heat: Function (name) that provides decay heat curve
- initial\_power: Initial reactor power (Default = 3e+09)
- monitored: Properties that can be monitored
- operators: Post-processor operators can be used on monitored properties
- physics\_input\_file: Input file with physics
- pke: The name of the point kinetics component that computes reactor power

- type: Reactor

Inlet boundary condition

- H: Prescribed enthalpy
- H\_liquid: Prescribed enthalpy for liquid
- H\_vapor: Prescribed enthalpy for vapor
- T: Prescribed temperature (used only in 3eqn model)
- T0: Prescribed stagnation temperature
- T0\_liquid: Prescribed stagnation temperature for liquid phase
- T0\_vapor: Prescribed stagnation temperature for vapor phase
- T\_liquid: Liquid temperature
- T\_vapor: Vapor temperature
- component\_type: The type of the component (Default = boundary)
- eos: The name of equation of state to use
- eos\_liquid: The name of equation of state to use for liquid
- eos\_vapor: The name of equation of state to use for vapor
- input: Name of the input (Required)
- p: Prescribed pressure
- p0: Prescribed stagnation pressure
- p0\_liquid: Prescribed stagnation pressure for liquid phase
- p0\_vapor: Prescribed stagnation pressure for vapor phase
- p\_liquid: Liquid pressure
- p\_vapor: Vapor pressure
- physics\_input\_file: Input file with physics
- rho: Prescribed density
- rho\_liquid: Prescribed density of liquid
- rho\_vapor: Prescribed density of vapor
- rhou: Prescribed momentum
- rhou\_liquid: Prescribed momentum for liquid
- rhou\_vapor: Prescribed momentum for vapor
- type: Inlet (Default)
- u: Prescribed velocity
- u\_func: Prescribed velocity as a function
- u\_liquid: Prescribed velocity of liquid
- u\_liquid\_func: Prescribed velocity as a function for the liquid phase
- u\_vapor: Prescribed velocity of vapor
- u\_vapor\_func: Prescribed velocity as a function for the vapor phase
- volume\_fraction\_vapor: prescribed vapor volume fraction

Outlet boundary condition

- component\_type: The type of the component (Default = boundary)
- eos: The name of equation of state to use
- eos\_liquid: The name of equation of state to use for liquid
- eos\_vapor: The name of equation of state to use for vapor
- input: Name of the input (Required)
- p: Prescribed pressure
- p\_liquid: Prescribed pressure for the liquid phase

- p\_vapor: Prescribed pressure for the vapor phase
- physics\_input\_file: Input file with physics
- type: Outlet (Default)

SolidWall boundary condition needs following parameters:

- component\_type: The type of the component (Default = boundary)
- input: Name of the input
- physics\_input\_file: Input file with physics
- type: SolidWall (Default)

TDM boundary condition needs following parameters:

- T\_bc: Desired temperature (Default = 0)
- T\_bc\_fn: Name of the temperature function
- T\_liquid\_bc: Desired temperature for the liquid phase (Default = 0)
- T\_liquid\_bc\_fn: Name of the temperature function for the liquid phase
- T\_vapor\_bc: Desired temperature for the vapor phase (Default = 0)
- T\_vapor\_bc\_fn: Name of the temperature function for the vapor phase
- component\_type: The type of the component (Default = boundary)
- eos: The name of equation of state object to use
- eos\_liquid: The name of equation of state object to use for the liquid phase
- eos\_vapor: The name of equation of state object to use for the vapor phase
- input: Name of the input
- massflowrate\_bc: Desired mass flow rate (Default = 0)
- massflowrate\_bc\_fn: Name of the mass flow rate function
- massflowrate\_liquid\_bc: Desired mass flow rate for the liquid phase (Default = 0)
- massflowrate\_liquid\_bc\_fn: Name of the mass flow rate function for the liquid phase
- massflowrate\_vapor\_bc: Desired mass flow rate for the vapor phase (Default = 0)
- massflowrate\_vapor\_bc\_fn: Name of the mass flow rate function for the vapor phase
- physics\_input\_file: Input file with physics
- type: TDM (Default)
- volume\_fraction\_vapor\_bc: Given vapor volume fraction on boundary (Default = 1)

PointKinetics model

- ANS\_Standard\_Year: Year of the standard that will be used for decay heat (Default = 2005)
- F\_U239: U239 produced by neutron capture in U238 per fission (Default = 1)
- F\_alpha: Fraction of fissions from isotope I (Default = 0.97 0.03 0 0)
- F\_gamma: Input factor for conservative calculations (Default = 1)
- NumEq\_FP: Number of fission product equations (Default = 23)
- NumEq\_Isotope: Number of isotopes tracked (Default = 4)
- NumEq\_Precursor: Number of delayed neutron precursor equations (Default = 6)
- Q: Total energy in Mev generated per fission (Default = 200)
- beta\_over\_lambda: Delay neutron fraction over neutron lifetime (Default = 200)
- eta\_np239: ANS Standard value for NP239 decay power calculation (Default = 0.419)
- eta\_u239: ANS Standard value for U239 decay power calculation (Default = 0.474)

- `f_i`: Fraction of delayed neutrons of group I (Default = 0.038 0.213 0.188 0.407 0.128 0.026)
- `feedback_components`: Components which have Thermal-Hydraulics feedback on reactivity
- `feedback_reactivity`: Doppler and moderator density feedback reactivity (Default = 0)
- `fissionperfissile`: Number of fission per fissile (Default = 1)
- `lam_np239`: Np239 decay constant (Default = 3.41e-06)
- `lam_u239`: U239 decay constant (Default = 0.000491)
- `lambda`: Decay constant of group I (Default = 0.0127 0.0317 0.115 0.311 1.4 3.87)
- `operatingTime`: Reactor operating time before shutdown (Default = 52)
- `physics_input_file`: Input file with physics
- `reactivity_func`: The function for reactivity table
- `rho`: Reactivity (Default = 0)
- `type`: PointKinetics (Default)

#### Controlled block

- `control_logic_input`: Control logic input file name (Default = `py_control_module`)
- `component_name`: Name of the component in which something must be controlled (Required)
- `data_type`: data type (Required)
- `print_csv`: print out the value in csv format? (Default = 0)
- `property_name`: Property to be controlled (Required)

#### Debug block

- `show_actions`: Print out the actions being executed (Default = 0)
- `show_material_props`: Print out the material properties supplied for each block, face, neighbor, and/or sideset (Default = 0)
- `show_parser`: Shows parser block extraction and debugging information (Default = 0)
- `show_top_residuals`: The number of top residuals to print out (0 = no output) (Default = 0)
- `show_var_residual_norms`: Print the residual norms of the individual solution variables at each nonlinear iteration (Default = 0)

#### Monitored block

- `component_name`: Name of the component in which something must be monitored (Required)
- `data_type`: data type (Required)
- `operator`: postprocessing action must be performed on it (Required)
- `path`: Path to the variable to be monitored (Required)
- `print_csv`: print out the value in csv format (Default = 1)

#### Outputs block.

- `checkpoint`: Create checkpoint files using the default options (Default = 0)
- `color`: Set to false to turn off all coloring in all outputs (Default = 1)



- console: Output the results using the default settings for Console output (Default =1)
- csv: Output the scalar variable and postprocessors to a \*.csv file using the default CSV output (Default =0)
- exodus: Output the results using the default settings for Exodus output (Default =0)
- file\_base: Common file base name to be utilized with all output objects
- gmV: Output the results using the default settings for GMV output (Default =0)
- gnuplot: Output the scalar and postprocessor results using the default settings for GNUPlot output (Default =0)
- hide: A list of the variables and postprocessors that should NOT be output to the Exodus file (may include Variables, ScalarVariables, and Postprocessor names).
- interval: The interval at which timesteps are output to the solution file (Default =1)
- nemesis: Output the results using the default settings for Nemesis output (Default =0)
- output\_final: Force the final timestep to be output, regardless of output interval (Default =0)
- output\_if\_base\_contains: If this is supplied then output will only be done in the case that the output base contains one of these strings. This is helpful in outputting only a subset of outputs when using MultiApps.
- output\_initial: Request that the initial condition is output to the solution file (Default =0)
- output\_intermediate: Request that all intermediate steps (not initial or final) are output (Default =1)
- show: A list of the variables and postprocessors that should be output to the Exodus file (may include Variables, ScalarVariables, and Postprocessor names).
- solution\_history: Print a solution history file (.slh) using the default settings (Default =0)
- sync\_times: Times at which the output and solution is forced to occur
- tecplot: Output the results using the default settings for Tecplot output (Default =0)
- vtk: Output the results using the default settings for VTKOutput output (Default =0)
- xda: Output the results using the default settings for XDA/XDR output (ascii) (Default =0)
- xdr: Output the results using the default settings for XDA/XDR output (binary) (Default =0)
- type: Monitored (Outputs)

The CSV needs following parameters:

- align: Align the outputted csv data by padding the numbers with trailing whitespace (Default =0)
- append\_displaced: Append '\_displaced' to the output file base (Default =0)
- append\_restart: Append existing file on restart (Default =0)
- delimiter: Assign the delimiter default is ',' (Default =0)
- end\_time: Time at which this output object stop operating
- file\_base: The desired solution output name without an extension
- hide: A list of the variables and postprocessors that should NOT be output to the Exodus file (may include Variables, ScalarVariables, and Postprocessor names).
- interval: The interval at which time steps are output to the solution file (Default =1)
- linear\_residual\_dt\_divisor: Number of divisions applied to time step when outputting linear residuals (Default =1000)
- linear\_residual\_end\_time: Specifies an end time to begin output on each linear residual evaluation
- linear\_residual\_start\_time: Specifies a start time to begin output on each linear residual evaluation
- linear\_residuals: Specifies whether output occurs on each linear residual evaluation (Default =0)
- nonlinear\_residual\_dt\_divisor: Number of divisions applied to time step when outputting non-linear residuals (Default =1000)

- `nonlinear_residual_end_time`: Specifies an end time to begin output on each nonlinear residual evaluation
- `nonlinear_residual_start_time`: Specifies a start time to begin output on each nonlinear residual evaluation
- `nonlinear_residuals`: Specifies whether output occurs on each nonlinear residual evaluation (Default =0)
- `output_failed`: When true all time attempted time steps are output (Default =0)
- `output_final`: Force the final time step to be output, regardless of output interval (Default =0)
- `output_if_base_contains`: If this is supplied then output will only be done in the case that the output base contains one of these strings. This is helpful in outputting only a subset of outputs when using MultiApps.
- `output_initial`: Request that the initial condition is output to the solution file (Default =0)
- `output_intermediate`: Request that all intermediate steps (not initial or final) are output (Default =0)
- `output_postprocessors`: Enable/disable the output of postprocessors (Default =1)
- `output_scalar_variables`: Enable/disable the output of aux scalar variables (Default =1)
- `output_system_information`: Toggles the display of the system information prior to the solve (Default =1)
- `output_vector_postprocessors`: Enable/disable the output of VectorPostprocessors (Default =1)
- `precision`: Set the output precision (Default =14)
- `sequence`: Enable/disable sequential file output (enable by default when 'use\_displace = true', otherwise defaults to false)
- `show`: A list of the variables and postprocessors that should be output to the Exodus file (may include Variables, ScalarVariables, and Postprocessor names).
- `start_time`: Time at which this output object begins to operate
- `sync_only`: Only export results at sync times (Default =0)
- `sync_times`: Times at which the output and solution is forced to occur
- `time_tolerance`: Time tolerance utilized checking start and end times (Default = 1e-14)
- `type`: CSV (Default)
- `use_displaced`: Enable/disable the use of the displaced mesh for outputting (Default =0)

The Checkpoint needs following parameters:

- `append_displaced`: Append '\_displaced' to the output file base (Default =0)
- `binary`: Toggle the output of binary files (Default =1)
- `elemental_as_nodal`: Output elemental nonlinear variables as nodal (Default =0)
- `end_time`: Time at which this output object stop operating
- `file_base`: The desired solution output name without an extension
- `hide`: A list of the variables and postprocessors that should NOT be output to the Exodus file (may include Variables, ScalarVariables, and Postprocessor names).
- `interval`: The interval at which time steps are output to the solution file (Default =1)
- `num_files`: Number of the restart files to save (Default =2)
- `output_failed`: When true all time attempted time steps are output (Default =0)
- `output_final`: Force the final time step to be output, regardless of output interval (Default =0)
- `output_if_base_contains`: If this is supplied then output will only be done in the case that the output base contains one of these strings. This is helpful in outputting only a subset of outputs when using MultiApps.
- `output_initial`: Request that the initial condition is output to the solution file (Default =0)
- `output_input`: Output the input file (Default =0)

- output\_intermediate: Request that all intermediate steps (not initial or final) are output (Default =1)
- output\_system\_information: Toggles the display of the system information prior to the solve (Default =1)
- padding: The number of for extension suffix (e.g., out.e-s002) (Default =4)
- scalar\_as\_nodal: Output scalar variables as nodal (Default =0)
- sequence: Enable/disable sequential file output (enable by default when 'use\_displace = true', otherwise defaults to false)
- show: A list of the variables and postprocessors that should be output to the Exodus file (may include Variables, ScalarVariables, and Postprocessor names).
- start\_time: Time at which this output object begins to operate
- suffix: This will be appended to the file\_base to create the directory name for checkpoint files (cp)
- sync\_only: Only export results at sync times (Default =0)
- sync\_times: Times at which the output and solution is forced to occur
- time\_tolerance: Time tolerance utilized checking start and end times (Default = 1e-14)
- type: Checkpoint (Default)
- use\_displaced: Enable/disable the use of the displaced mesh for outputting (Default =0)

The Console needs following parameters:

- all\_variable\_norm: If true, all variable norms will be printed after each solve (Default =0)
- append\_displaced: Append '\_displaced' to the output file base (Default =0)
- append\_restart: Append existing file on restart (Default =0)
- end\_time: Time at which this output object stop operating
- file\_base: The desired solution output name without an extension
- fit\_mode: : Specifies the wrapping mode for post-processor tables that are printed to the screen (ENVIRONMENT: Read "MOOSE\_PPS\_WIDTH" for desired width, AUTO: Attempt to determine width automatically (serial only), : Desired width (Default = ENVIRONMENT)
- hide: A list of the variables and postprocessors that should NOT be output to the Exodus file (may include Variables, ScalarVariables, and Postprocessor names).
- interval: The interval at which time steps are output to the solution file (Default =1)
- libmesh\_log: Print the libMesh performance log, requires libMesh to be configured with --enable-perflog (Default =1)
- linear\_residual\_dt\_divisor: Number of divisions applied to time step when outputting linear residuals (Default =1000)
- linear\_residual\_end\_time: Specifies an end time to begin output on each linear residual evaluation
- linear\_residual\_start\_time: Specifies a start time to begin output on each linear residual evaluation
- linear\_residuals: Specifies whether output occurs on each linear residual evaluation (Default =0)
- max\_rows: The maximum number of postprocessor/scalar values displayed on screen during a timestep (set to 0 for unlimited) (Default =15)
- nonlinear\_residual\_dt\_divisor: Number of divisions applied to time step when outputting non-linear residuals (Default =1000)
- nonlinear\_residual\_end\_time: Specifies an end time to begin output on each nonlinear residual evaluation
- nonlinear\_residual\_start\_time: Specifies a start time to begin output on each nonlinear residual evaluation
- nonlinear\_residuals: Specifies whether output occurs on each nonlinear residual evaluation (Default =1)

- outlier\_multiplier: Multiplier utilized to determine if a residual norm is an outlier. If the variable residual is less than multiplier[0] times the total residual it is colored red. If the variable residual is less than multiplier[1] times the average residual it is colored yellow (Default = 0.82)
- outlier\_variable\_norms: If true, outlier variable norms will be printed after each solve (Default =1)
- output\_failed: When true all time attempted time steps are output (Default =1)
- output\_file: Output to the file (Default =0)
- output\_final: Force the final time step to be output, regardless of output interval (Default =0)
- output\_if\_base\_contains: If this is supplied then output will only be done in the case that the output base contains one of these strings. This is helpful in outputting only a subset of outputs when using MultiApps.
- output\_initial: Request that the initial condition is output to the solution file (Default =0)
- output\_intermediate: Request that all intermediate steps (not initial or final) are output (Default =1)
- output\_postprocessors: Enable/disable the output of postprocessors (Default =1)
- output\_scalar\_variables: Enable/disable the output of aux scalar variables (Default =1)
- output\_screen: Output to the screen (Default =1)
- output\_system\_information: Toggles the display of the system information prior to the solve (Default =1)
- padding: The number of for extension suffix (e.g., out.e-s002) (Default =4)
- perf\_header: Print the libMesh performance log header (requires that 'perf\_log = true')
- perf\_log: If true, all performance logs will be printed. The individual log settings will override this option (Default =0)
- scientific\_time: Control the printing of time and dt in scientific notation (Default =0)
- sequence: Enable/disable sequential file output (enable by default when 'use\_displace = true', otherwise defaults to false)
- setup\_log: Toggles the printing of the 'Setup Performance' log
- setup\_log\_early: Specifies whether or not the Setup Performance log should be printed before the first time step. It will still be printed at the end if perf\_log is also enabled and likewise disabled if perf\_log is false (Default =0)
- show: A list of the variables and postprocessors that should be output to the Exodus file (may include Variables, ScalarVariables, and Postprocessor names).
- show\_multiapp\_name: Indent multiapp output using the multiapp name (Default =0)
- solve\_log: Toggles the printing of the 'Moose Test Performance' log
- start\_time: Time at which this output object begins to operate
- sync\_only: Only export results at sync times (Default =0)
- sync\_times: Times at which the output and solution is forced to occur
- time\_precision: The number of significant digits that are printed on time related outputs
- time\_tolerance: Time tolerance utilized checking start and end times (Default = 1e-14)
- type: Console (Default)
- use\_displaced: Enable/disable the use of the displaced mesh for outputting (Default =0)
- verbose: Print detailed diagnostics on timestep calculation (Default =0)

The DebugOutput needs following parameters:

- append\_displaced: Append '\_displaced' to the output file base (Default = 0)
- end\_time: Time at which this output object stop operating
- hide: A list of the variables and postprocessors that should NOT be output to the Exodus file (may include Variables, ScalarVariables, and Postprocessor names).
- interval: The interval at which time steps are output to the solution file (Default = 1)

- `linear_residual_dt_divisor`: Number of divisions applied to time step when outputting linear residuals (Default = 1000)
- `linear_residual_end_time`: Specifies an end time to begin output on each linear residual evaluation
- `linear_residual_start_time`: Specifies a start time to begin output on each linear residual evaluation
- `linear_residuals`: Specifies whether output occurs on each linear residual evaluation (Default = 0)
- `nonlinear_residual_dt_divisor`: Number of divisions applied to time step when outputting non-linear residuals (Default = 1000)
- `nonlinear_residual_end_time`: Specifies an end time to begin output on each nonlinear residual evaluation
- `nonlinear_residual_start_time`: Specifies a start time to begin output on each nonlinear residual evaluation
- `nonlinear_residuals`: Specifies whether output occurs on each nonlinear residual evaluation (Default = 0)
- `output_elemental_variables`: Enable/disable the output of elemental nonlinear variables (Default = 1)
- `output_failed`: When true all time attempted time steps are output (Default = 0)
- `output_final`: Force the final time step to be output, regardless of output interval (Default = 0)
- `output_if_base_contains`: If this is supplied then output will only be done in the case that the output base contains one of these strings. This is helpful in outputting only a subset of outputs when using MultiApps.
- `output_initial`: Request that the initial condition is output to the solution file (Default = 0)
- `output_intermediate`: Request that all intermediate steps (not initial or final) are output (Default = 1)
- `output_nodal_variables`: Enable/disable the output of nodal nonlinear variables (Default = 1)
- `padding`: The number of for extension suffix (e.g., out.e-s002) (Default = 4)
- `show`: A list of the variables and postprocessors that should be output to the Exodus file (may include Variables, ScalarVariables, and Postprocessor names).
- `show_var_residual_norms`: Print the residual norms of the individual solution variables at each nonlinear iteration (Default = 0)
- `start_time`: Time at which this output object begins to operate
- `sync_only`: Only export results at sync times (Default = 0)
- `sync_times`: Times at which the output and solution is forced to occur
- `time_tolerance`: Time tolerance utilized checking start and end times (Default = 1e-14)
- `type`: DebugOutput (Default)
- `use_displaced`: Enable/disable the use of the displaced mesh for outputting (Default = 0)

The Exodus needs following parameters:

- `append_displaced`: Append '`_displaced`' to the output file base (Default = 0)
- `append_oversample`: Append '`_oversample`' to the output file base (Default = 0)
- `elemental_as_nodal`: Output elemental nonlinear variables as nodal (Default = 0)
- `end_time`: Time at which this output object stop operating
- `file`: The name of the mesh file to read, for oversampling
- `file_base`: The desired solution output name without an extension
- `hide`: A list of the variables and postprocessors that should NOT be output to the Exodus file (may include Variables, ScalarVariables, and Postprocessor names).
- `interval`: The interval at which time steps are output to the solution file (Default = 1)
- `linear_residual_dt_divisor`: Number of divisions applied to time step when outputting linear residuals (Default = 1000)
- `linear_residual_end_time`: Specifies an end time to begin output on each linear residual evaluation

- `linear_residual_start_time`: Specifies a start time to begin output on each linear residual evaluation
- `linear_residuals`: Specifies whether output occurs on each linear residual evaluation (Default = 0)
- `nonlinear_residual_dt_divisor`: Number of divisions applied to time step when outputting non-linear residuals (Default = 1000)
- `nonlinear_residual_end_time`: Specifies an end time to begin output on each nonlinear residual evaluation
- `nonlinear_residual_start_time`: Specifies a start time to begin output on each nonlinear residual evaluation
- `nonlinear_residuals`: Specifies whether output occurs on each nonlinear residual evaluation (Default = 0)
- `output_elemental_variables`: Enable/disable the output of elemental nonlinear variables (Default = 1)
- `output_failed`: When true all time attempted time steps are output (Default = 0)
- `output_final`: Force the final time step to be output, regardless of output interval (Default = 0)
- `output_if_base_contains`: If this is supplied then output will only be done in the case that the output base contains one of these strings. This is helpful in outputting only a subset of outputs when using MultiApps.
- `output_initial`: Request that the initial condition is output to the solution file (Default = 0)
- `output_input`: Output the input file (Default = 1)
- `output_intermediate`: Request that all intermediate steps (not initial or final) are output (Default = 1)
- `output_nodal_variables`: Enable/disable the output of nodal nonlinear variables (Default = 1)
- `output_postprocessors`: Enable/disable the output of postprocessors (Default = 1)
- `output_scalar_variables`: Enable/disable the output of aux scalar variables (Default = 1)
- `output_system_information`: Toggles the display of the system information prior to the solve (Default = 1)
- `oversample`: Set to true to enable oversampling (Default = 0)
- `padding`: The number of for extension suffix (e.g., out.e-s002) (Default = 3)
- `position`: Set a positional offset, this vector will get added to the nodal coordinates to move the domain.
- `refinements`: Number of uniform refinements for oversampling (Default = 0)
- `scalar_as_nodal`: Output scalar variables as nodal (Default = 0)
- `sequence`: Enable/disable sequential file output (enable by default when 'use\_displace = true', otherwise defaults to false)
- `show`: A list of the variables and postprocessors that should be output to the Exodus file (may include Variables, ScalarVariables, and Postprocessor names).
- `start_time`: Time at which this output object begins to operate
- `sync_only`: Only export results at sync times (Default = 0)
- `sync_times`: Times at which the output and solution is forced to occur
- `time_tolerance`: Time tolerance utilized checking start and end times (Default = 1e-14)
- `type`: Exodus (Default)
- `use_displaced`: Enable/disable the use of the displaced mesh for outputting (Default = 0)

The GMV needs following parameters:

- `append_displaced`: Append '\_displaced' to the output file base (Default = 0)
- `append_oversample`: Append '\_oversample' to the output file base (Default = 0)
- `binary`: Output the file in binary format (Default = 1)
- `elemental_as_nodal`: Output elemental nonlinear variables as nodal (Default = 0)
- `end_time`: Time at which this output object stop operating

- file: The name of the mesh file to read, for oversampling
- file\_base: The desired solution output name without an extension
- hide: A list of the variables and postprocessors that should NOT be output to the Exodus file (may include Variables, ScalarVariables, and Postprocessor names).
- interval: The interval at which time steps are output to the solution file (Default = 1)
- linear\_residual\_dt\_divisor: Number of divisions applied to time step when outputting linear residuals (Default = 1000)
- linear\_residual\_end\_time: Specifies an end time to begin output on each linear residual evaluation
- linear\_residual\_start\_time: Specifies a start time to begin output on each linear residual evaluation
- linear\_residuals: Specifies whether output occurs on each linear residual evaluation (Default = 0)
- nonlinear\_residual\_dt\_divisor: Number of divisions applied to time step when outputting non-linear residuals (Default = 1000)
- nonlinear\_residual\_end\_time: Specifies an end time to begin output on each nonlinear residual evaluation
- nonlinear\_residual\_start\_time: Specifies a start time to begin output on each nonlinear residual evaluation
- nonlinear\_residuals: Specifies whether output occurs on each nonlinear residual evaluation (Default = 0)
- output\_elemental\_variables: Enable/disable the output of elemental nonlinear variables (Default = 1)
- output\_failed: When true all time attempted time steps are output (Default = 0)
- output\_final: Force the final time step to be output, regardless of output interval (Default = 0)
- output\_if\_base\_contains: If this is supplied then output will only be done in the case that the output base contains one of these strings. This is helpful in outputting only a subset of outputs when using MultiApps.
- output\_initial: Request that the initial condition is output to the solution file (Default = 0)
- output\_intermediate: Request that all intermediate steps (not initial or final) are output (Default = 1)
- output\_nodal\_variables: Enable/disable the output of nodal nonlinear variables (Default = 1)
- output\_system\_information: Toggles the display of the system information prior to the solve (Default = 1)
- oversample: Set to true to enable oversampling (Default = 0)
- padding: The number of for extension suffix (e.g., out.e-s002) (Default = 4)
- position: Set a positional offset, this vector will get added to the nodal coordinates to move the domain.
- refinements: Number of uniform refinements for oversampling (Default = 0)
- show: A list of the variables and postprocessors that should be output to the Exodus file (may include Variables, ScalarVariables, and Postprocessor names).
- start\_time: Time at which this output object begins to operate
- sync\_only: Only export results at sync times (Default = 0)
- sync\_times: Times at which the output and solution is forced to occur
- time\_tolerance: Time tolerance utilized checking start and end times (Default = 1e-14)
- type: GMV (Default)
- use\_displaced: Enable/disable the use of the displaced mesh for outputting (Default = 0)

The Gnuplot needs following parameters:

- append\_displaced: Append '\_displaced' to the output file base (Default = 0)
- append\_restart: Append existing file on restart (Default = 0)
- end\_time: Time at which this output object stop operating

- extension: : GUN plot file extension (Default = png)
- file\_base: The desired solution output name without an extension
- hide: A list of the variables and postprocessors that should NOT be output to the Exodus file (may include Variables, ScalarVariables, and Postprocessor names).
- interval: The interval at which time steps are output to the solution file (Default = 1)
- linear\_residual\_dt\_divisor: Number of divisions applied to time step when outputting linear residuals (Default = 1000)
- linear\_residual\_end\_time: Specifies an end time to begin output on each linear residual evaluation
- linear\_residual\_start\_time: Specifies a start time to begin output on each linear residual evaluation
- linear\_residuals: Specifies whether output occurs on each linear residual evaluation (Default = 0)
- nonlinear\_residual\_dt\_divisor: Number of divisions applied to time step when outputting non-linear residuals (Default = 1000)
- nonlinear\_residual\_end\_time: Specifies an end time to begin output on each nonlinear residual evaluation
- nonlinear\_residual\_start\_time: Specifies a start time to begin output on each nonlinear residual evaluation
- nonlinear\_residuals: Specifies whether output occurs on each nonlinear residual evaluation (Default = 0)
- output\_failed: When true all time attempted time steps are output (Default = 0)
- output\_final: Force the final time step to be output, regardless of output interval (Default = 0)
- output\_if\_base\_contains: If this is supplied then output will only be done in the case that the output base contains one of these strings. This is helpful in outputting only a subset of outputs when using MultiApps.
- output\_initial: Request that the initial condition is output to the solution file (Default = 0)
- output\_intermediate: Request that all intermediate steps (not initial or final) are output (Default = 1)
- output\_postprocessors: Enable/disable the output of postprocessors (Default = 1)
- output\_scalar\_variables: Enable/disable the output of aux scalar variables (Default = 1)
- output\_system\_information: Toggles the display of the system information prior to the solve (Default = 1)
- sequence: Enable/disable sequential file output (enable by default when 'use\_displace = true', otherwise defaults to false)
- show: A list of the variables and postprocessors that should be output to the Exodus file (may include Variables, ScalarVariables, and Postprocessor names).
- start\_time: Time at which this output object begins to operate
- sync\_only: Only export results at sync times (Default = 0)
- sync\_times: Times at which the output and solution is forced to occur
- time\_tolerance: Time tolerance utilized checking start and end times (Default = 1e-14)
- type: Gnuplot (Default)
- use\_displaced: Enable/disable the use of the displaced mesh for outputting (Default = 0)

The Nemesis needs following parameters:

- append\_displaced: Append '\_displaced' to the output file base (Default = 0)
- append\_oversample: Append '\_oversample' to the output file base (Default = 0)
- elemental\_as\_nodal: Output elemental nonlinear variables as nodal (Default = 0)
- end\_time: Time at which this output object stop operating
- file: The name of the mesh file to read, for oversampling
- file\_base: The desired solution output name without an extension



- `hide`: A list of the variables and postprocessors that should NOT be output to the Exodus file (may include Variables, ScalarVariables, and Postprocessor names).
- `interval`: The interval at which time steps are output to the solution file (Default = 1)
- `linear_residual_dt_divisor`: Number of divisions applied to time step when outputting linear residuals (Default = 1000)
- `linear_residual_end_time`: Specifies an end time to begin output on each linear residual evaluation
- `linear_residual_start_time`: Specifies a start time to begin output on each linear residual evaluation
- `linear_residuals`: Specifies whether output occurs on each linear residual evaluation (Default = 0)
- `nonlinear_residual_dt_divisor`: Number of divisions applied to time step when outputting non-linear residuals (Default = 1000)
- `nonlinear_residual_end_time`: Specifies an end time to begin output on each nonlinear residual evaluation
- `nonlinear_residual_start_time`: Specifies a start time to begin output on each nonlinear residual evaluation
- `nonlinear_residuals`: Specifies whether output occurs on each nonlinear residual evaluation (Default = 0)
- `output_elemental_variables`: Enable/disable the output of elemental nonlinear variables (Default = 1)
- `output_failed`: When true all time attempted time steps are output (Default = 0)
- `output_final`: Force the final time step to be output, regardless of output interval (Default = 0)
- `output_if_base_contains`: If this is supplied then output will only be done in the case that the output base contains one of these strings. This is helpful in outputting only a subset of outputs when using MultiApps.
- `output_initial`: Request that the initial condition is output to the solution file (Default = 0)
- `output_input`: Output the input file (Default = 0)
- `output_intermediate`: Request that all intermediate steps (not initial or final) are output (Default = 1)
- `output_nodal_variables`: Enable/disable the output of nodal nonlinear variables (Default = 1)
- `output_postprocessors`: Enable/disable the output of postprocessors (Default = 1)
- `output_scalar_variables`: Enable/disable the output of aux scalar variables (Default = 1)
- `output_system_information`: Toggles the display of the system information prior to the solve (Default = 1)
- `oversample`: Set to true to enable oversampling (Default = 0)
- `padding`: The number of for extension suffix (e.g., out.e-s002) (Default = 4)
- `position`: Set a positional offset, this vector will get added to the nodal coordinates to move the domain.
- `refinements`: Number of uniform refinements for oversampling (Default = 0)
- `scalar_as_nodal`: Output scalar variables as nodal (Default = 0)
- `sequence`: Enable/disable sequential file output (enable by default when 'use\_displace = true', otherwise defaults to false)
- `show`: A list of the variables and postprocessors that should be output to the Exodus file (may include Variables, ScalarVariables, and Postprocessor names).
- `start_time`: Time at which this output object begins to operate
- `sync_only`: Only export results at sync times (Default = 0)
- `sync_times`: Times at which the output and solution is forced to occur
- `time_tolerance`: Time tolerance utilized checking start and end times (Default = 1e-14)
- `type`: Nemesis (Default )
- `use_displaced`: Enable/disable the use of the displaced mesh for outputting (Default = 0)

The SolutionHistory needs following parameters:

- `append_displaced`: Append '`_displaced`' to the output file base (Default = 0)
- `elemental_as_nodal`: Output elemental nonlinear variables as nodal (Default = 0)
- `end_time`: Time at which this output object stop operating
- `file_base`: The desired solution output name without an extension
- `hide`: A list of the variables and postprocessors that should NOT be output to the Exodus file (may include Variables, ScalarVariables, and Postprocessor names).
- `interval`: The interval at which time steps are output to the solution file (Default = 1)
- `output_failed`: When true all time attempted time steps are output (Default = 0)
- `output_final`: Force the final time step to be output, regardless of output interval (Default = 0)
- `output_if_base_contains`: If this is supplied then output will only be done in the case that the output base contains one of these strings. This is helpful in outputting only a subset of outputs when using MultiApps.
- `output_initial`: Request that the initial condition is output to the solution file (Default = 0)
- `output_intermediate`: Request that all intermediate steps (not initial or final) are output (Default = 1)
- `output_system_information`: Toggles the display of the system information prior to the solve (Default = 1)
- `scalar_as_nodal`: Output scalar variables as nodal (Default = 0)
- `sequence`: Enable/disable sequential file output (enable by default when '`use_displace = true`', otherwise defaults to false)
- `show`: A list of the variables and postprocessors that should be output to the Exodus file (may include Variables, ScalarVariables, and Postprocessor names).
- `start_time`: Time at which this output object begins to operate
- `sync_only`: Only export results at sync times (Default = 0)
- `sync_times`: Times at which the output and solution is forced to occur
- `time_tolerance`: Time tolerance utilized checking start and end times (Default = 1e-14)
- `type`: SolutionHistory (Default)
- `use_displaced`: Enable/disable the use of the displaced mesh for outputting (Default = 0)

The Tecplot needs following parameters:

- `append_displaced`: Append '`_displaced`' to the output file base (Default = 0)
- `append_oversample`: Append '`_oversample`' to the output file base (Default = 0)
- `ascii_append`: If true, append to an existing ASCII file rather than creating a new file each time (Default = 0)
- `binary`: Set Tecplot files to output in binary format (Default = 0)
- `elemental_as_nodal`: Output elemental nonlinear variables as nodal (Default = 0)
- `end_time`: Time at which this output object stop operating
- `file`: The name of the mesh file to read, for oversampling
- `file_base`: The desired solution output name without an extension
- `hide`: A list of the variables and postprocessors that should NOT be output to the Exodus file (may include Variables, ScalarVariables, and Postprocessor names).
- `interval`: The interval at which time steps are output to the solution file (Default = 1)
- `linear_residual_dt_divisor`: Number of divisions applied to time step when outputting linear residuals (Default = 1000)
- `linear_residual_end_time`: Specifies an end time to begin output on each linear residual evaluation
- `linear_residual_start_time`: Specifies a start time to begin output on each linear residual evaluation
- `linear_residuals`: Specifies whether output occurs on each linear residual evaluation (Default = 0)
- `nonlinear_residual_dt_divisor`: Number of divisions applied to time step when outputting non-linear residuals (Default = 1000)
- `nonlinear_residual_end_time`: Specifies an end time to begin output on each nonlinear residual evaluation
- `nonlinear_residual_start_time`: Specifies a start time to begin output on each nonlinear residual evaluation

- `nonlinear_residuals`: Specifies whether output occurs on each nonlinear residual evaluation (Default = 0)
- `output_failed`: When true all time attempted time steps are output (Default = 0)
- `output_final`: Force the final time step to be output, regardless of output interval (Default = 0)
- `output_if_base_contains`: If this is supplied then output will only be done in the case that the output base contains one of these strings. This is helpful in outputting only a subset of outputs when using MultiApps.
- `output_initial`: Request that the initial condition is output to the solution file (Default = 0)
- `output_intermediate`: Request that all intermediate steps (not initial or final) are output (Default = 1)
- `output_system_information`: Toggles the display of the system information prior to the solve (Default = 1)
- `oversample`: Set to true to enable oversampling (Default = 0)
- `padding`: The number of for extension suffix (e.g., out.e-s002) (Default = 4)
- `position`: Set a positional offset, this vector will get added to the nodal coordinates to move the domain.
- `refinements`: Number of uniform refinements for oversampling (Default = 0)
- `show`: A list of the variables and postprocessors that should be output to the Exodus file (may include Variables, ScalarVariables, and Postprocessor names).
- `start_time`: Time at which this output object begins to operate
- `sync_only`: Only export results at sync times (Default = 0)
- `sync_times`: Times at which the output and solution is forced to occur
- `time_tolerance`: Time tolerance utilized checking start and end times (Default = 1e-14)
- `type`: Tecplot (Default)
- `use_displaced`: Enable/disable the use of the displaced mesh for outputting (Default = 0)

The XDA needs following parameters:

- `append_displaced`: Append '`_displaced`' to the output file base (Default = 0)
- `append_oversample`: Append '`_oversample`' to the output file base (Default = 0)
- `elemental_as_nodal`: Output elemental nonlinear variables as nodal (Default = 0)
- `end_time`: Time at which this output object stop operating
- `file`: The name of the mesh file to read, for oversampling
- `file_base`: The desired solution output name without an extension
- `hide`: A list of the variables and postprocessors that should NOT be output to the Exodus file (may include Variables, ScalarVariables, and Postprocessor names).
- `interval`: The interval at which time steps are output to the solution file (Default = 1)
- `linear_residual_dt_divisor`: Number of divisions applied to time step when outputting linear residuals (Default = 1000)
- `linear_residual_end_time`: Specifies an end time to begin output on each linear residual evaluation
- `linear_residual_start_time`: Specifies a start time to begin output on each linear residual evaluation
- `linear_residuals`: Specifies whether output occurs on each linear residual evaluation (Default = 0)
- `nonlinear_residual_dt_divisor`: Number of divisions applied to time step when outputting non-linear residuals (Default = 1000)
- `nonlinear_residual_end_time`: Specifies an end time to begin output on each nonlinear residual evaluation
- `nonlinear_residual_start_time`: Specifies a start time to begin output on each nonlinear residual evaluation
- `nonlinear_residuals`: Specifies whether output occurs on each nonlinear residual evaluation (Default = 0)
- `output_failed`: When true all time attempted time steps are output (Default = 0)
- `output_final`: Force the final time step to be output, regardless of output interval (Default = 0)
- `output_if_base_contains`: If this is supplied then output will only be done in the case that the output base contains one of these strings. This is helpful in outputting only a subset of outputs when using MultiApps.

- `output_initial`: Request that the initial condition is output to the solution file (Default = 0)
- `output_input`: Output the input file (Default = 0)
- `output_intermediate`: Request that all intermediate steps (not initial or final) are output (Default = 1)
- `output_system_information`: Toggles the display of the system information prior to the solve (Default = 1)
- `oversample`: Set to true to enable oversampling (Default = 0)
- `padding`: The number of for extension suffix (e.g., out.e-s002) (Default = 4)
- `position`: Set a positional offset, this vector will get added to the nodal coordinates to move the domain.
- `refinements`: Number of uniform refinements for oversampling (Default = 0)
- `show`: A list of the variables and postprocessors that should be output to the Exodus file (may include Variables, ScalarVariables, and Postprocessor names).
- `start_time`: Time at which this output object begins to operate
- `sync_only`: Only export results at sync times (Default = 0)
- `sync_times`: Times at which the output and solution is forced to occur
- `time_tolerance`: Time tolerance utilized checking start and end times (Default = 1e-14)
- `type`: XDA (Default)
- `use_displaced`: Enable/disable the use of the displaced mesh for outputting (Default = 0)

The XDR needs following parameters:

- `append_displaced`: Append '`_displaced`' to the output file base (Default = 0)
- `append_oversample`: Append '`_oversample`' to the output file base (Default = 0)
- `elemental_as_nodal`: Output elemental nonlinear variables as nodal (Default = 0)
- `end_time`: Time at which this output object stop operating
- `file`: The name of the mesh file to read, for oversampling
- `file_base`: The desired solution output name without an extension
- `hide`: A list of the variables and postprocessors that should NOT be output to the Exodus file (may include Variables, ScalarVariables, and Postprocessor names).
- `interval`: The interval at which time steps are output to the solution file (Default = 1)
- `linear_residual_dt_divisor`: Number of divisions applied to time step when outputting linear residuals (Default = 1000)
- `linear_residual_end_time`: Specifies an end time to begin output on each linear residual evaluation
- `linear_residual_start_time`: Specifies a start time to begin output on each linear residual evaluation
- `linear_residuals`: Specifies whether output occurs on each linear residual evaluation (Default = 0)
- `nonlinear_residual_dt_divisor`: Number of divisions applied to time step when outputting non-linear residuals (Default = 1000)
- `nonlinear_residual_end_time`: Specifies an end time to begin output on each nonlinear residual evaluation
- `nonlinear_residual_start_time`: Specifies a start time to begin output on each nonlinear residual evaluation
- `nonlinear_residuals`: Specifies whether output occurs on each nonlinear residual evaluation (Default = 0)
- `output_failed`: When true all time attempted time steps are output (Default = 0)
- `output_final`: Force the final time step to be output, regardless of output interval (Default = 0)
- `output_if_base_contains`: If this is supplied then output will only be done in the case that the output base contains one of these strings. This is helpful in outputting only a subset of outputs when using MultiApps.
- `output_initial`: Request that the initial condition is output to the solution file (Default = 0)
- `output_input`: Output the input file (Default = 0)
- `output_intermediate`: Request that all intermediate steps (not initial or final) are output (Default = 1)
- `output_system_information`: Toggles the display of the system information prior to the solve (Default = 0)
- `oversample`: Set to true to enable oversampling (Default = 0)

- padding: The number of for extension suffix (e.g., out.e-s002) (Default = 4)
- position: Set a positional offset, this vector will get added to the nodal coordinates to move the domain.
- refinements: Number of uniform refinements for oversampling (Default = 0)
- show: A list of the variables and postprocessors that should be output to the Exodus file (may include Variables, ScalarVariables, and Postprocessor names).
- start\_time: Time at which this output object begins to operate
- sync\_only: Only export results at sync times (Default = 0)
- sync\_times: Times at which the output and solution is forced to occur
- time\_tolerance: Time tolerance utilized checking start and end times (Default = 1e-14)
- type: XDR (Default)
- use\_displaced: Enable/disable the use of the displaced mesh for outputting (Default = 0)

### Postprocessors block

- type: Postprocessors (Default)

The AreaPostprocessor needs following parameters:

- boundary: The list of boundary IDs from the mesh where this boundary condition applies
- execute\_on: Set to (residual|jacobian|timestep|timestep\_begin|custom) to execute only at that moment (Default = timestep)
- outputs: Vector of output names were you would like to restrict the output of this postprocessor (empty outputs to all)
- type: AreaPostprocessor (Default)
- use\_displaced\_mesh: Whether or not this object should use the displaced mesh for computation. Note that in the case this is true but no displacements are provided in the Mesh block the undisplaced mesh will still be used (Default=0)

The AverageElementSize needs following parameters:

- block: The list of block ids (SubdomainID) that this object will be applied
- execute\_on: Set to (residual|jacobian|timestep|timestep\_begin|custom) to execute only at that moment (Default=time step)
- outputs: Vector of output names were you would like to restrict the output of this postprocessor (empty outputs to all)
- seed: The seed for the master random number generator (Default=0)
- type: AverageElementSize (Default)
- use\_displaced\_mesh: Whether or not this object should use the displaced mesh for computation. Note that in the case this is true but no displacements are provided in the Mesh block the undisplaced mesh will still be used (Default=0)
- variable: The name of the variable that this object operates on (Required)

The AverageNodalVariableValue needs following parameters:

- block: The list of block ids (SubdomainID) that this object will be applied
- boundary: The list of boundary IDs from the mesh where this boundary condition applies
- execute\_on: Set to (residual|jacobian|timestep|timestep\_begin|custom) to execute only at that moment (Default=timestep)
- outputs: Vector of output names were you would like to restrict the output of this postprocessor (empty outputs to all)
- seed: The seed for the master random number generator (Default=0)

- type: AverageNodalVariableValue (Default)
- use\_displaced\_mesh: Whether or not this object should use the displaced mesh for computation. Note that in the case this is true but no displacements are provided in the Mesh block the undisplaced mesh will still be used (Default=0)
- variable: The name of the variable that this postprocessor operates on (Required)

The CInterfacePosition needs following parameters:

- RefVal: Variable value used to determine interface position (Default=0.5)
- block: The list of block ids (SubdomainID) that this object will be applied
- boundary: The list of boundary IDs from the mesh where this boundary condition applies
- direction\_index: The index of the direction the position is measured in (Required)
- execute\_on: Set to (residual|jacobian|timestep|timestep\_begin|custom) to execute only at that moment (Default=timestep)
- outputs: Vector of output names were you would like to restrict the output of this postprocessor (empty outputs to all)
- seed: The seed for the master random number generator (Default=0)
- type: CInterfacePosition (Default)
- use\_displaced\_mesh: Whether or not this object should use the displaced mesh for computation. Note that in the case this is true but no displacements are provided in the Mesh block the undisplaced mesh will still be used (Default=0)
- variable: The name of the variable that this postprocessor operates on (Required)

The DifferencePostprocessor needs following parametes:

- execute\_on: Set to (residual|jacobian|timestep|timestep\_begin|custom) to execute only at that moment (Default=timestep)
- outputs: Vector of output names were you would like to restrict the output of this postprocessor (empty outputs to all)
- type: DifferencePostprocessor (Default)
- use\_displaced\_mesh: Whether or not this object should use the displaced mesh for computation. Note that in the case this is true but no displacements are provided in the Mesh block the undisplaced mesh will still be used (Default=0)
- value1: First value (Required)
- value2: Second value (Required)

The ElementAverageTimeDerivative needs following parameters:

- block: The list of block ids (SubdomainID) that this object will be applied
- execute\_on: Set to (residual|jacobian|timestep|timestep\_begin|custom) to execute only at that moment (Default=timestep)
- outputs: Vector of output names were you would like to restrict the output of this postprocessor (empty outputs to all)
- seed: The seed for the master random number generator (Default=0)
- type: ElementAverageTimeDerivative (Default)
- use\_displaced\_mesh: Whether or not this object should use the displaced mesh for computation. Note that in the case this is true but no displacements are provided in the Mesh block the undisplaced mesh will still be used (Default=0)
- variable: The name of the variable that this object operates on (Required)

The ElementAverageValue needs following parameters:

- block: The list of block ids (SubdomainID) that this object will be applied

- `execute_on`: Set to (residual|jacobian|timestep|timestep\_begin|custom) to execute only at that moment (Default = timestep)
- `outputs`: Vector of output names were you would like to restrict the output of this postprocessor (empty outputs to all)
- `seed`: The seed for the master random number generator (Default = 0)
- `type`: ElementAverageValue (Default)
- `use_displaced_mesh`: Whether or not this object should use the displaced mesh for computation. Note that in the case this is true but no displacements are provided in the Mesh block the undisplaced mesh will still be used (Default = 0)
- `variable`: The name of the variable that this object operates on (Required)

The `ElementExtremeValue` needs following parameters:

- `block`: The list of block ids (SubdomainID) that this object will be applied
- `execute_on`: Set to (residual|jacobian|timestep|timestep\_begin|custom) to execute only at that moment (Default = timestep)
- `outputs`: Vector of output names were you would like to restrict the output of this postprocessor (empty outputs to all)
- `seed`: The seed for the master random number generator (Default = 0)
- `type`: ElementExtremeValue (Default)
- `use_displaced_mesh`: Whether or not this object should use the displaced mesh for computation. Note that in the case this is true but no displacements are provided in the Mesh block the undisplaced mesh will still be used (Default = 0)
- `value_type`: Type of extreme value to return. 'max' returns the maximum value. 'min' returns the minimum value (Default = max)
- `variable`: The name of the variable that this postprocessor operates on (Required)

The `ElementH1Error` needs following parameters:

- `block`: The list of block ids (SubdomainID) that this object will be applied
- `execute_on`: Set to (residual|jacobian|timestep|timestep\_begin|custom) to execute only at that moment (Default = timestep)
- `function`: The analytic solution to compare against (Required)
- `outputs`: Vector of output names were you would like to restrict the output of this postprocessor (empty outputs to all)
- `seed`: The seed for the master random number generator (Default = 0)
- `type`: ElementH1Error (Default)
- `use_displaced_mesh`: Whether or not this object should use the displaced mesh for computation. Note that in the case this is true but no displacements are provided in the Mesh block the undisplaced mesh will still be used (Default = 0)
- `variable`: The name of the variable that this object operates on (Required)

The `ElementH1SemiError` needs following parameters:

- `block`: The list of block ids (SubdomainID) that this object will be applied
- `execute_on`: Set to (residual|jacobian|timestep|timestep\_begin|custom) to execute only at that moment (Default = timestep)
- `function`: The analytic solution to compare against (Required)
- `outputs`: Vector of output names were you would like to restrict the output of this postprocessor (empty outputs to all)
- `seed`: The seed for the master random number generator (Default = 0)
- `type`: ElementH1SemiError (Default)

- `use_displaced_mesh`: Whether or not this object should use the displaced mesh for computation. Note that in the case this is true but no displacements are provided in the Mesh block the undisplaced mesh will still be used (Default = 0)
- `variable`: The name of the variable that this object operates on (Required)

The `ElementIntegralMaterialProperty` needs following parameters:

- `block`: The list of block ids (SubdomainID) that this object will be applied
- `execute_on`: Set to (residual|jacobian|timestep|timestep\_begin|custom) to execute only at that moment (Default = timestep)
- `mat_prop`: The name of the material property (Required)
- `outputs`: Vector of output names were you would like to restrict the output of this postprocessor (empty outputs to all)
- `seed`: The seed for the master random number generator (Default = 0)
- `type`: `ElementIntegralMaterialProperty` (Default)
- `use_displaced_mesh`: Whether or not this object should use the displaced mesh for computation. Note that in the case this is true but no displacements are provided in the Mesh block the undisplaced mesh will still be used (Default = 0)

The `ElementIntegralVariablePostprocessor` needs following parameters:

- `block`: The list of block ids (SubdomainID) that this object will be applied
- `execute_on`: Set to (residual|jacobian|timestep|timestep\_begin|custom) to execute only at that moment (Default = timestep)
- `outputs`: Vector of output names were you would like to restrict the output of this postprocessor (empty outputs to all)
- `seed`: The seed for the master random number generator (Default = 0)
- `type`: `ElementIntegralVariablePostprocessor` (Default)
- `use_displaced_mesh`: Whether or not this object should use the displaced mesh for computation. Note that in the case this is true but no displacements are provided in the Mesh block the undisplaced mesh will still be used (Default = 0)
- `variable`: The name of the variable that this object operates on (Required)

The `ElementL2Error` needs following parameters:

- `block`: The list of block ids (SubdomainID) that this object will be applied
- `execute_on`: Set to (residual|jacobian|timestep|timestep\_begin|custom) to execute only at that moment (Default = timestep)
- `function`: The analytic solution to compare against (Required)
- `outputs`: Vector of output names were you would like to restrict the output of this postprocessor (empty outputs to all)
- `seed`: The seed for the master random number generator (Default = 0)
- `type`: `ElementL2Error` (Default)
- `use_displaced_mesh`: Whether or not this object should use the displaced mesh for computation. Note that in the case this is true but no displacements are provided in the Mesh block the undisplaced mesh will still be used (Default = 0)
- `variable`: The name of the variable that this object operates on (Required)

The `ElementL2Norm` needs following parameters:

- `block`: The list of block ids (SubdomainID) that this object will be applied
- `execute_on`: Set to (residual|jacobian|timestep|timestep\_begin|custom) to execute only at that moment (Default = timestep)
- `outputs`: Vector of output names were you would like to restrict the output of this postprocessor (empty outputs to all)



- seed: The seed for the master random number generator (Default = 0)
- type: ElementL2Norm (Default)
- use\_displaced\_mesh: Whether or not this object should use the displaced mesh for computation. Note that in the case this is true but no displacements are provided in the Mesh block the undisplaced mesh will still be used (Default = 0)
- variable: The name of the variable that this object operates on (Required)

The ElementVectorL2Error needs following parameters:

- block: The list of block ids (SubdomainID) that this object will be applied
- execute\_on: Set to (residual|jacobian|timestep|timestep\_begin|custom) to execute only at that moment (Default = timestep)
- function\_x: The analytic solution to compare against (Required)
- function\_y: The analytic solution to compare against (Default = 0)
- function\_z: The analytic solution to compare against (Default = 0)
- outputs: Vector of output names were you would like to restrict the output of this postprocessor (empty outputs to all)
- seed: The seed for the master random number generator (Default = 0)
- type: ElementVectorL2Error (Default)
- use\_displaced\_mesh: Whether or not this object should use the displaced mesh for computation. Note that in the case this is true but no displacements are provided in the Mesh block the undisplaced mesh will still be used (Default = 0)
- var\_x: The FE solution in x direction (Required)
- var\_y: The FE solution in y direction (Default = 0)
- var\_z: The FE solution in z direction (Default = 0)

The ElementalVariableValue needs following parameters:

- elementid: The ID of the element where we monitor (Required)
- execute\_on: Set to (residual|jacobian|timestep|timestep\_begin|custom) to execute only at that moment (Default = timestep)
- outputs: Vector of output names were you would like to restrict the output of this postprocessor (empty outputs to all)
- type: ElementalVariableValue (Default)
- use\_displaced\_mesh: Whether or not this object should use the displaced mesh for computation. Note that in the case this is true but no displacements are provided in the Mesh block the undisplaced mesh will still be used (Default = 0)
- variable: The variable to be monitored (Required)

The EmptyPostprocessor needs following parameters:

- execute\_on: Set to (residual|jacobian|timestep|timestep\_begin|custom) to execute only at that moment (Default = timestep)
- outputs: Vector of output names were you would like to restrict the output of this postprocessor (empty outputs to all)
- type: EmptyPostprocessor (Default)
- use\_displaced\_mesh: Whether or not this object should use the displaced mesh for computation. Note that in the case this is true but no displacements are provided in the Mesh block the undisplaced mesh will still be used (Default = 0)

The FuelReactivity needs following parameters:

- avg\_fuel\_temp: The name of the user object that computes average fuel temperature (Required)

- avg\_temp\_0: Average temperature of the fuel at time  $t=0$  (Required)
- execute\_on: Set to (residual|jacobian|timestep|timestep\_begin|custom) to execute only at that moment (Default = timestep)
- fuelReactivity: Doppler reactivity table
- fuelTempCoefficient: Fuel temperature coefficient
- fuelTemperature: Fuel temperature table for reactivity
- fuelWeightingFactor: Fuel weighting factor
- n\_layers: The number of layers in the fuel block (Required)
- outputs: Vector of output names were you would like to restrict the output of this postprocessor (empty outputs to all)
- type: FuelReactivity (Default)
- use\_displaced\_mesh: Whether or not this object should use the displaced mesh for computation. Note that in the case this is true but no displacements are provided in the Mesh block the undisplaced mesh will still be used (Default = 0)

The INSExplicitTimestepSelector needs following parameters:

- beta:  $0 < \text{beta} < 1$ , choose some fraction of the limiting timestep size (Required)
- block: The list of block ids (SubdomainID) that this object will be applied
- execute\_on: Set to (residual|jacobian|timestep|timestep\_begin|custom) to execute only at that moment (Default = timestep)
- mu: dynamic viscosity (Required)
- outputs: Vector of output names were you would like to restrict the output of this postprocessor (empty outputs to all)
- rho: density (Required)
- seed: The seed for the master random number generator (Default = 0)
- type: INSExplicitTimestepSelector (Default)
- use\_displaced\_mesh: Whether or not this object should use the displaced mesh for computation. Note that in the case this is true but no displacements are provided in the Mesh block the undisplaced mesh will still be used (Default = 0)
- vel\_mag: Velocity magnitude (Required)

The InternalVolume needs following parameters:

- addition: An additional volume to be included in the internal volume calculation (Default = 0)
- boundary: The list of boundary IDs from the mesh where this boundary condition applies
- component: The component to use in the integration (Default = 1)
- execute\_on: Set to (residual|jacobian|timestep|timestep\_begin|custom) to execute only at that moment (Default = timestep)
- outputs: Vector of output names were you would like to restrict the output of this postprocessor (empty outputs to all)
- scale\_factor: A scale factor to be applied to the internal volume calculation (Default = 1)
- type: InternalVolume (Default)
- use\_displaced\_mesh: Whether or not this object should use the displaced mesh for computation. Note that in the case this is true but no displacements are provided in the Mesh block the undisplaced mesh will still be used (Default = 1)

The ModeratorReactivity needs following parameters:

- block: The list of block ids (SubdomainID) that this object will be applied
- elem\_offset: The ID of the first element (to compute the layer ID) (Required)
- execute\_on: Set to (residual|jacobian|timestep|timestep\_begin|custom) to execute only at that moment (Default = timestep)

- modDensity: Moderator density table for reactivity (Required)
- modReactivity: Moderator reactivity (Required)
- modTempCoefficient: Moderator temperature coefficient (Required)
- modWeightingFactor: Moderator weighting factor (Required)
- moderator\_density: Density of the moderator (i.e. fluid) (Required)
- moderator\_temp: Temperature of the moderator (i.e. fluid) (Required)
- outputs: Vector of output names were you would like to restrict the output of this postprocessor (empty outputs to all)
- seed: The seed for the master random number generator (Default = 0)
- temp\_0: Temperature of the moderator (i.e. fluid) at time t=0 (Required)
- type: ModeratorReactivity (Default)
- use\_displaced\_mesh: Whether or not this object should use the displaced mesh for computation. Note that in the case this is true but no displacements are provided in the Mesh block the undisplaced mesh will still be used (Default = 0)

The NetMassIn needs following parameters:

- boundary: The list of boundary IDs from the mesh where this boundary condition applies
- execute\_on: Set to (residual|jacobian|timestep|timestep\_begin|custom) to execute only at that moment (Default = timestep)
- outputs: Vector of output names were you would like to restrict the output of this postprocessor (empty outputs to all)
- rhouA: Momentum (Required)
- type: NetMassIn (Default)
- use\_displaced\_mesh: Whether or not this object should use the displaced mesh for computation. Note that in the case this is true but no displacements are provided in the Mesh block the undisplaced mesh will still be used (Default = 0)

The NetThermalEnergyIn needs following parameters:

- boundary: The list of boundary IDs from the mesh where this boundary condition applies
- execute\_on: Set to (residual|jacobian|timestep|timestep\_begin|custom) to execute only at that moment (Default = timestep)
- outputs: Vector of output names were you would like to restrict the output of this postprocessor (empty outputs to all)
- rhoEA: Total energy (Required)
- rhouA: Momentum (Required)
- type: NetThermalEnergyIn (Default)
- u: Velocity (Required)
- use\_displaced\_mesh: Whether or not this object should use the displaced mesh for computation. Note that in the case this is true but no displacements are provided in the Mesh block the undisplaced mesh will still be used (Default = 0)

The NodalExtremeValue needs following parameters:

- block: The list of block ids (SubdomainID) that this object will be applied
- boundary: The list of boundary IDs from the mesh where this boundary condition applies
- execute\_on: Set to (residual|jacobian|timestep|timestep\_begin|custom) to execute only at that moment (Default = timestep)
- outputs: Vector of output names were you would like to restrict the output of this postprocessor (empty outputs to all)
- seed: The seed for the master random number generator (Default = 0)
- type: NodalExtremeValue (Default )

- `use_displaced_mesh`: Whether or not this object should use the displaced mesh for computation. Note that in the case this is true but no displacements are provided in the Mesh block the undisplaced mesh will still be used (Default = 0)
- `value_type`: Type of extreme value to return. 'max' returns the maximum value. 'min' returns the minimum value (Default = max)
- `variable`: The name of the variable that this postprocessor operates on (Required)

The `NodalL2Error` needs following parameters:

- `block`: The list of block ids (SubdomainID) that this object will be applied
- `boundary`: The list of boundary IDs from the mesh where this boundary condition applies
- `execute_on`: Set to (residual|jacobian|timestep|timestep\_begin|custom) to execute only at that moment (Default = timestep)
- `function`: The analytic solution to compare against
- `outputs`: Vector of output names were you would like to restrict the output of this postprocessor (empty outputs to all)
- `seed`: The seed for the master random number generator (Default = 0)
- `type`: `NodalL2Error`
- `use_displaced_mesh`: Whether or not this object should use the displaced mesh for computation. Note that in the case this is true but no displacements are provided in the Mesh block the undisplaced mesh will still be used (Default = 0)
- `variable`: The name of the variable that this postprocessor operates on (Required)

The `NodalL2Norm` needs following parameters:

- `block`: The list of block ids (SubdomainID) that this object will be applied
- `boundary`: The list of boundary IDs from the mesh where this boundary condition applies
- `execute_on`: Set to (residual|jacobian|timestep|timestep\_begin|custom) to execute only at that moment (Default = timestep)
- `outputs`: Vector of output names were you would like to restrict the output of this postprocessor (empty outputs to all)
- `seed`: The seed for the master random number generator (Default = 0)
- `type`: `NodalL2Norm` (Default)
- `use_displaced_mesh`: Whether or not this object should use the displaced mesh for computation. Note that in the case this is true but no displacements are provided in the Mesh block the undisplaced mesh will still be used (Default = 0)
- `variable`: The name of the variable that this postprocessor operates on (Required)

The `NodalMaxFromAverage` needs following parameters:

- `average_name_pps`: name of the postprocessor computing the mean value (Required)
- `block`: The list of block ids (SubdomainID) that this object will be applied
- `boundary`: The list of boundary IDs from the mesh where this boundary condition applies
- `execute_on`: Set to (residual|jacobian|timestep|timestep\_begin|custom) to execute only at that moment (Default = timestep)
- `outputs`: Vector of output names were you would like to restrict the output of this postprocessor (empty outputs to all)
- `seed`: The seed for the master random number generator (Default = 0)
- `type`: `NodalMaxFromAverage` (Default)
- `use_displaced_mesh`: Whether or not this object should use the displaced mesh for computation. Note that in the case this is true but no displacements are provided in the Mesh block the undisplaced mesh will still be used (Default = 0)
- `variable`: The name of the variable that this postprocessor operates on (Required)

The `NodalMaxValue` needs following parameters:

- `block`: The list of block ids (SubdomainID) that this object will be applied
- `boundary`: The list of boundary IDs from the mesh where this boundary condition applies
- `execute_on`: Set to (residual|jacobian|timestep|timestep\_begin|custom) to execute only at that moment (Default = timestep)
- `outputs`: Vector of output names were you would like to restrict the output of this postprocessor (empty outputs to all)
- `seed`: The seed for the master random number generator (Default = 0)
- `type`: `NodalMaxValue` (Default)
- `use_displaced_mesh`: Whether or not this object should use the displaced mesh for computation. Note that in the case this is true but no displacements are provided in the Mesh block the undisplaced mesh will still be used (Default = 0)
- `variable`: The name of the variable that this postprocessor operates on (Required)

The `NodalProxyMaxValue` needs following parameters:

- `block`: The list of block ids (SubdomainID) that this object will be applied
- `boundary`: The list of boundary IDs from the mesh where this boundary condition applies
- `execute_on`: Set to (residual|jacobian|timestep|timestep\_begin|custom) to execute only at that moment (Default = timestep)
- `outputs`: Vector of output names were you would like to restrict the output of this postprocessor (empty outputs to all)
- `seed`: The seed for the master random number generator (Default = 0)
- `type`: `NodalProxyMaxValue` (Default)
- `use_displaced_mesh`: Whether or not this object should use the displaced mesh for computation. Note that in the case this is true but no displacements are provided in the Mesh block the undisplaced mesh will still be used (Default = 0)
- `variable`: The name of the variable that this postprocessor operates on (Required)

The `NodalSum` needs following parameters:

- `block`: The list of block ids (SubdomainID) that this object will be applied
- `boundary`: The list of boundary IDs from the mesh where this boundary condition applies
- `execute_on`: Set to (residual|jacobian|timestep|timestep\_begin|custom) to execute only at that moment (Default = timestep)
- `outputs`: Vector of output names were you would like to restrict the output of this postprocessor (empty outputs to all)
- `seed`: The seed for the master random number generator (Default = 0)
- `type`: `NodalSum` (Default )
- `use_displaced_mesh`: Whether or not this object should use the displaced mesh for computation. Note that in the case this is true but no displacements are provided in the Mesh block the undisplaced mesh will still be used (Default = 0)
- `variable`: The name of the variable that this postprocessor operates on (Required)

The `NodalVariableValue` needs following parameters:

- `execute_on`: Set to (residual|jacobian|timestep|timestep\_begin|custom) to execute only at that moment (Default = timestep)
- `nodeid`: The ID of the node where we monitor (Required)
- `outputs`: Vector of output names were you would like to restrict the output of this postprocessor (empty outputs to all)
- `scale_factor`: A scale fator to be applied to the variable (Default = 1)

- type: NodalVariableValue (Default)
- use\_displaced\_mesh: Whether or not this object should use the displaced mesh for computation. Note that in the case this is true but no displacements are provided in the Mesh block the undisplaced mesh will still be used (Default = 0)
- variable: The variable to be monitored (Required)

The NumDOFs needs following parameters:

- execute\_on: Set to (residual|jacobian|timestep|timestep\_begin|custom) to execute only at that moment (Default = timestep)
- outputs: Vector of output names were you would like to restrict the output of this postprocessor (empty outputs to all)
- type: NumDOFs (Default)
- use\_displaced\_mesh: Whether or not this object should use the displaced mesh for computation. Note that in the case this is true but no displacements are provided in the Mesh block the undisplaced mesh will still be used (Default = 0)

The NumElems needs following parameters:

- execute\_on: Set to (residual|jacobian|timestep|timestep\_begin|custom) to execute only at that moment (Default = timestep)
- outputs: Vector of output names were you would like to restrict the output of this postprocessor (empty outputs to all)
- type: NumElems (Default)
- use\_displaced\_mesh: Whether or not this object should use the displaced mesh for computation. Note that in the case this is true but no displacements are provided in the Mesh block the undisplaced mesh will still be used (Default = 0)

The NumLinearIterations needs following parameters:

- execute\_on: Set to (residual|jacobian|timestep|timestep\_begin|custom) to execute only at that moment (Default = timestep)
- outputs: Vector of output names were you would like to restrict the output of this postprocessor (empty outputs to all)
- type: NumLinearIterations (Default)
- use\_displaced\_mesh: Whether or not this object should use the displaced mesh for computation. Note that in the case this is true but no displacements are provided in the Mesh block the undisplaced mesh will still be used (Default = 0)

The NumNodes needs following parameters:

- execute\_on: Set to (residual|jacobian|timestep|timestep\_begin|custom) to execute only at that moment (Default = timestep)
- outputs: Vector of output names were you would like to restrict the output of this postprocessor (empty outputs to all)
- type: NumNodes (Default)
- use\_displaced\_mesh: Whether or not this object should use the displaced mesh for computation. Note that in the case this is true but no displacements are provided in the Mesh block the undisplaced mesh will still be used (Default = 0)

The NumNonlinearIterations needs following parameters:

- execute\_on: Set to (residual|jacobian|timestep|timestep\_begin|custom) to execute only at that moment (Default = timestep)

- outputs: Vector of output names were you would like to restrict the output of this postprocessor (empty outputs to all)
- type: NumNonlinearIterations (Default )
- use\_displaced\_mesh: Whether or not this object should use the displaced mesh for computation. Note that in the case this is true but no displacements are provided in the Mesh block the undisplaced mesh will still be used (Default = 0)

The NumResidualEvaluations needs following parameters:

- execute\_on: Set to (residual|jacobian|timestep|timestep\_begin|custom) to execute only at that moment (Default = timestep)
- outputs: Vector of output names were you would like to restrict the output of this postprocessor (empty outputs to all)
- type: NumResidualEvaluations (Default)
- use\_displaced\_mesh: Whether or not this object should use the displaced mesh for computation. Note that in the case this is true but no displacements are provided in the Mesh block the undisplaced mesh will still be used (Default = 0)

The NumVars needs following parameters:

- execute\_on: Set to (residual|jacobian|timestep|timestep\_begin|custom) to execute only at that moment (Default = timestep)
- outputs: Vector of output names were you would like to restrict the output of this postprocessor (empty outputs to all)
- system: The system for which you want to print the number of variables (Default = nonlinear)
- type: NumVars (Default)
- use\_displaced\_mesh: Whether or not this object should use the displaced mesh for computation. Note that in the case this is true but no displacements are provided in the Mesh block the undisplaced mesh will still be used (Default = 0)

The PerformanceData needs following parameters:

- column: The column you want the value of (Required)
- event: The name of the event. (Required)
- execute\_on: Set to (residual|jacobian|timestep|timestep\_begin|custom) to execute only at that moment (Default = timestep)
- outputs: Vector of output names were you would like to restrict the output of this postprocessor (empty outputs to all)
- type: PerformanceData (Default)
- use\_displaced\_mesh: Whether or not this object should use the displaced mesh for computation. Note that in the case this is true but no displacements are provided in the Mesh block the undisplaced mesh will still be used (Default = 0)

The PlotFunction needs following parameters:

- execute\_on: Set to (residual|jacobian|timestep|timestep\_begin|custom) to execute only at that moment (Default = timestep)
- function: Name of the function to plot (i.e. sample) (Required)
- outputs: Vector of output names were you would like to restrict the output of this postprocessor (empty outputs to all)
- point: A point in space to be given to the function
- scale\_factor: A scale factor to be applied to the function (Default = 1)
- type: PlotFunction (Default)

- `use_displaced_mesh`: Whether or not this object should use the displaced mesh for computation. Note that in the case this is true but no displacements are provided in the Mesh block the undisplaced mesh will still be used (Default = 0)

The `PointValue` needs following parameters:

- `execute_on`: Set to (residual|jacobian|timestep|timestep\_begin|custom) to execute only at that moment (Default = timestep)
- `outputs`: Vector of output names were you would like to restrict the output of this postprocessor (empty outputs to all)
- `point`: The physical point where the solution will be evaluated (Required)
- `type`: `PointValue` (Default)
- `use_displaced_mesh`: Whether or not this object should use the displaced mesh for computation. Note that in the case this is true but no displacements are provided in the Mesh block the undisplaced mesh will still be used (Default = 0)
- `variable`: The name of the variable that this postprocessor operates on (Required)

The `PressureCB` needs following parameters:

- `area`: Area (Required)
- `boundary`: The list of boundary IDs from the mesh where this boundary condition applies
- `execute_on`: Set to (residual|jacobian|timestep|timestep\_begin|custom) to execute only at that moment (Default = timestep)
- `outputs`: Vector of output names were you would like to restrict the output of this postprocessor (empty outputs to all)
- `pressure`: Pressure (Required)
- `type`: `PressureCB` (Default)
- `use_displaced_mesh`: Whether or not this object should use the displaced mesh for computation. Note that in the case this is true but no displacements are provided in the Mesh block the undisplaced mesh will still be used (Default = 0)

The `ProblemRealParameter` needs following parameters:

- `execute_on`: Set to (residual|jacobian|timestep|timestep\_begin|custom) to execute only at that moment (Default = timestep)
- `outputs`: Vector of output names were you would like to restrict the output of this postprocessor (empty outputs to all)
- `param_name`: Name of the parameter to be exposed (Required)
- `type`: `ProblemRealParameter` (Default)
- `use_displaced_mesh`: Whether or not this object should use the displaced mesh for computation. Note that in the case this is true but no displacements are provided in the Mesh block the undisplaced mesh will still be used (Default = 0)

The `ReactivityFeedback` needs following parameters:

- `execute_on`: Set to (residual|jacobian|timestep|timestep\_begin|custom) to execute only at that moment (Default = timestep)
- `fuel_reactivity`: The fuel reactivity (Required)
- `moderator_reactivity`: The moderator reactivity (Required)
- `outputs`: Vector of output names were you would like to restrict the output of this postprocessor (empty outputs to all)
- `type`: `ReactivityFeedback` (Default)



- `use_displaced_mesh`: Whether or not this object should use the displaced mesh for computation. Note that in the case this is true but no displacements are provided in the Mesh block the undisplaced mesh will still be used.

The `Receiver` needs following parameters:

- `default`: The default value
- `execute_on`: Set to (residual|jacobian|timestep|timestep\_begin|custom) to execute only at that moment (Default = timestep)
- `outputs`: Vector of output names were you would like to restrict the output of this postprocessor (empty outputs to all)
- `type`: Receiver (Default)
- `use_displaced_mesh`: Whether or not this object should use the displaced mesh for computation. Note that in the case this is true but no displacements are provided in the Mesh block the undisplaced mesh will still be used (Default = 0)
- The Residual needs following parameters:
- `execute_on`: Set to (residual|jacobian|timestep|timestep\_begin|custom) to execute only at that moment (Default = timestep)
- `outputs`: Vector of output names were you would like to restrict the output of this postprocessor (empty outputs to all)
- `type`: Residual (Default)
- `use_displaced_mesh`: Whether or not this object should use the displaced mesh for computation. Note that in the case this is true but no displacements are provided in the Mesh block the undisplaced mesh will still be used (Default = 0)

The `RunTime` needs following parameters:

- `execute_on`: Set to (residual|jacobian|timestep|timestep\_begin|custom) to execute only at that moment (Default = timestep)
- `outputs`: Vector of output names were you would like to restrict the output of this postprocessor (empty outputs to all)
- `time_type`: Whether to output the total elapsed or just the active time (Required)
- `type`: RunTime (Default)
- `use_displaced_mesh`: Whether or not this object should use the displaced mesh for computation. Note that in the case this is true but no displacements are provided in the Mesh block the undisplaced mesh will still be used (Default = 0)

The `ScalarL2Error` needs following parameters:

- `execute_on`: Set to (residual|jacobian|timestep|timestep\_begin|custom) to execute only at that moment (Default = timestep)
- `function`: The analytic solution to compare against (Required)
- `outputs`: Vector of output names were you would like to restrict the output of this postprocessor (empty outputs to all)
- `type`: ScalarL2Error (Default)
- `use_displaced_mesh`: Whether or not this object should use the displaced mesh for computation. Note that in the case this is true but no displacements are provided in the Mesh block the undisplaced mesh will still be used (Default = 0)
- `variable`: The name of the scalar variable (Required)

The `ScalarVariable` needs following parameters:

- `component`: Component to output for this variable (Default = 0)

- `execute_on`: Set to (residual|jacobian|timestep|timestep\_begin|custom) to execute only at that moment (Default = timestep)
- `outputs`: Vector of output names were you would like to restrict the output of this postprocessor (empty outputs to all)
- `type`: ScalarVariable (Default)
- `use_displaced_mesh`: Whether or not this object should use the displaced mesh for computation. Note that in the case this is true but no displacements are provided in the Mesh block the undisplaced mesh will still be used (Default = 0)

variable: Name of the variable (Required)

The `SideAverageValue` needs following parameters:

- `boundary`: The list of boundary IDs from the mesh where this boundary condition applies
- `execute_on`: Set to (residual|jacobian|timestep|timestep\_begin|custom) to execute only at that moment (Default = timestep)
- `outputs`: Vector of output names were you would like to restrict the output of this postprocessor (empty outputs to all)
- `type`: SideAverageValue (Default)
- `use_displaced_mesh`: Whether or not this object should use the displaced mesh for computation. Note that in the case this is true but no displacements are provided in the Mesh block the undisplaced mesh will still be used (Default = 0)
- `variable`: The name of the variable that this boundary condition applies to (Required)

The `SideFluxAverage` needs following parameters:

- `boundary`: The list of boundary IDs from the mesh where this boundary condition applies
- `diffusivity`: The name of the diffusivity material property that will be used in the flux computation (Required)
- `execute_on`: Set to (residual|jacobian|timestep|timestep\_begin|custom) to execute only at that moment (Default = timestep)
- `outputs`: Vector of output names were you would like to restrict the output of this postprocessor (empty outputs to all)
- `type`: SideFluxAverage (Default)
- `use_displaced_mesh`: Whether or not this object should use the displaced mesh for computation. Note that in the case this is true but no displacements are provided in the Mesh block the undisplaced mesh will still be used (Default = 0)
- `variable`: The name of the variable that this boundary condition applies to (Required)

The `SideFluxIntegral` needs following parameters:

- `boundary`: The list of boundary IDs from the mesh where this boundary condition applies
- `diffusivity`: The name of the diffusivity material property that will be used in the flux computation (Required)
- `execute_on`: Set to (residual|jacobian|timestep|timestep\_begin|custom) to execute only at that moment (Default = timestep)
- `outputs`: Vector of output names were you would like to restrict the output of this postprocessor (empty outputs to all)
- `type`: SideFluxIntegral (Default)
- `use_displaced_mesh`: Whether or not this object should use the displaced mesh for computation. Note that in the case this is true but no displacements are provided in the Mesh block the undisplaced mesh will still be used (Default = 0)
- `variable`: The name of the variable that this boundary condition applies to (Required)

The `SideIntegralVariablePostprocessor` needs following parameters:

- `boundary`: The list of boundary IDs from the mesh where this boundary condition applies
- `execute_on`: Set to (residual|jacobian|timestep|timestep\_begin|custom) to execute only at that moment (Default = timestep)
- `outputs`: Vector of output names were you would like to restrict the output of this postprocessor (empty outputs to all)
- `type`: `SideIntegralVariablePostprocessor` (Default)
- `use_displaced_mesh`: Whether or not this object should use the displaced mesh for computation. Note that in the case this is true but no displacements are provided in the Mesh block the undisplaced mesh will still be used (Default = 0)
- `variable`: The name of the variable that this boundary condition applies to (Required)

The `SpecificThermalEnergy` needs following parameters:

- `boundary`: The list of boundary IDs from the mesh where this boundary condition applies
- `execute_on`: Set to (residual|jacobian|timestep|timestep\_begin|custom) to execute only at that moment (Default = timestep)
- `inlet`: Inlet boundary ID (Required)
- `outputs`: Vector of output names were you would like to restrict the output of this postprocessor (empty outputs to all)
- `rho`: Density (Required)
- `rhoE`: Total energy (Required)
- `type`: `SpecificThermalEnergy` (Default)
- `u`: Velocity (Required)
- `use_displaced_mesh`: Whether or not this object should use the displaced mesh for computation. Note that in the case this is true but no displacements are provided in the Mesh block the undisplaced mesh will still be used (Default = 0)

The `ThermalCond` needs following parameters:

- `T_hot`: Temperature on 'hot' boundary in K (Required)
- `boundary`: The list of boundary IDs from the mesh where this boundary condition applies
- `dx`: Length between sides of sample in `length_scale` (Required)
- `execute_on`: Set to (residual|jacobian|timestep|timestep\_begin|custom) to execute only at that moment (Default = timestep)
- `flux`: Heat flux out of 'cold' boundary in solution units, should always be positive (Required)
- `k0`: Initial value of the thermal conductivity (Default = 0)
- `length_scale`: lengthscale of the solution (Default = 1e-8)
- `outputs`: Vector of output names were you would like to restrict the output of this postprocessor (empty outputs to all)
- `type`: `ThermalCond` (Default)
- `use_displaced_mesh`: Whether or not this object should use the displaced mesh for computation. Note that in the case this is true but no displacements are provided in the Mesh block the undisplaced mesh will still be used (Default = 0)
- `variable`: The name of the variable that this boundary condition applies to (Required)

The `TimestepSize` needs following parameters:

- `execute_on`: Set to (residual|jacobian|timestep|timestep\_begin|custom) to execute only at that moment (Default = timestep)
- `outputs`: Vector of output names were you would like to restrict the output of this postprocessor (empty outputs to all)

- type: TimestepSize (Default)
- use\_displaced\_mesh: Whether or not this object should use the displaced mesh for computation. Note that in the case this is true but no displacements are provided in the Mesh block the undisplaced mesh will still be used (Default = 0)

The TotalVariableValue needs following parameters:

- execute\_on: Set to (residual|jacobian|timestep|timestep\_begin|custom) to execute only at that moment (Default = timestep)
- outputs: Vector of output names were you would like to restrict the output of this postprocessor (empty outputs to all)
- type: TotalVariableValue (Default)
- use\_displaced\_mesh: Whether or not this object should use the displaced mesh for computation. Note that in the case this is true but no displacements are provided in the Mesh block the undisplaced mesh will still be used (Default = 0)
- value: The name of the postprocessor

The VolumePostprocessor needs following parameters:

- block: The list of block ids (SubdomainID) that this object will be applied
- execute\_on: Set to (residual|jacobian|timestep|timestep\_begin|custom) to execute only at that moment (Default = timestep)
- outputs: Vector of output names were you would like to restrict the output of this postprocessor (empty outputs to all)
- seed: The seed for the master random number generator (Default = 0)
- type: VolumePostprocessor (Default)
- use\_displaced\_mesh: Whether or not this object should use the displaced mesh for computation. Note that in the case this is true but no displacements are provided in the Mesh block the undisplaced mesh will still be used (Default = 0)



## Appendix B Automated Test “run\_tests” Script

```
#!/usr/bin/env python
import sys, os, inspect

# Set the current working directory to the directory where this script is located
os.chdir(os.path.abspath(os.path.dirname(sys.argv[0])))

#### Set the name of the application here and moose directory relative to the application
app_name = 'relap-7'

MOOSE_DIR = os.path.abspath(os.path.join('.', 'moose'))
#### See if MOOSE_DIR is already in the environment instead
if os.environ.has_key("MOOSE_DIR"):
    MOOSE_DIR = os.environ['MOOSE_DIR']

sys.path.append(os.path.join(MOOSE_DIR, 'python'))
import path_tool
path_tool.activate_module('TestHarness')

from TestHarness import TestHarness
# Run the tests!
TestHarness.buildAndRun(sys.argv, app_name, MOOSE_DIR)
```



### Appendix C RELAP-7 Featured Tests and Status

Test	File location (under /relap-7/test/)	File name	Test status
1	model/2eqn	Simple_flow_2eqn	OK
2	model/heat_transfer	heat_exchanger_simple_sodium	Skipped (Jacobian review)
3	model/heat_transfer	pipe_gas	OK
4	model/heat_transfer	pipe_simple_water	OK
5	model/heat_transfer	core_channel_simple_water	OK
6	model/3eqn	nodal_bcs	Skipped (disabled)
7	model/3eqn	shock_capturing	Skipped (joint component does not play well with SC)
8	model/3eqn	simple_flow_3eqn	OK
9	model/3eqn	energy_hammer	OK
10	model/3eqn	local_supg	OK
11	model/3eqn	water_hammer	OK
12	model/decay_heat	decay_heat	OK
13	model/eos	n2	OK
14	model/eos	non_isothermal_gas	OK
15	model/eos	sgeos_liquid	OK
16	model/eos	sgeos_vapor	OK
17	model/eos	isothermal_gas	OK
18	model/HEM	middle_void_no_heating_pipe_flow	OK
19	model/HEM	middle_void_no_heating_pipe_flow_transient_bc	OK
20	model/HEM	two_phase_transition_pipe_flow_transient_bc	OK
21	model/HEM	;core_channel_hem_heat_transfer	OK
22	model/7eqn	nozzle_liquid_only_stagnationPTinlet_staticPoutlet	OK
23	model/7eqn	nozzle_PV_relaxation	OK
24	model/7eqn	nozzle_2phase_separated_stagnationPTinlet_staticPoutlet	OK
25	model/7eqn	nozzle_vapor_only_StrongPTinlet_StrongPoutlet	OK
26	model/7eqn	nozzle_interfacial_mass_transfer	Skipped (Replaced (unstable))
27	model/7eqn	nozzle_vapor_only_stagnationPTinlet_staticPoutlet	OK



28	model/7eqn	7eqn	OK
29	model/7eqn	pipe_component_step7_boiling_from_pure_liquid	OK
30	model/7eqn	pipe_component_step7_boiling_from_pure_liquid_elem_const	OK
31	model/7eqn	pipe_boiling_with_large_void_fraction	OK
32	model/stabilization	lapidus	OK
33	model/stabilization	entropy_viscosity	OK
34	model/stabilization	entropy_viscosity_hem	OK
35	model/stabilization	pressure_based_sgeos_air	OK
36	model/stabilization	pressure_sgeos_water	OK
37	model/wall_friction	wall_friction_pipe_simple_water	OK
38	simple_nc_loop	test	OK
39	components/core_channel	PWR_core_channel	OK
40	components/core_channel	PWR_multiple_core_channels	OK
41	components/core_channel	PWR_core_channel_solid_properties_table	OK
42	components/core_channel	cylinder_fuel_core_channel	OK
43	components/core_channel	multiple_core_channels	OK
44	components/core_channel	plate_fuel_core_channel	OK
45	components/core_channel	BWR_core_channel_HEM	Skipped (needs a review)
46	components/core_channel	core_channel_user_power_shape	OK
47	components/core_channel	core_channel_7eqn	OK
48	components/flow_junction	1	OK
49	components/flow_junction	1_1	OK
50	components/flow_junction	1_2	OK
51	components/flow_junction	2_1	OK
52	components/flow_junction	1_1_1	OK
53	components/flow_junction	2_1_1	OK
54	components/pump	iso_pump_loop	OK
55	components/pump	isothermal_pump	OK
56	components/pump	ideal_pump	OK
57	components/pump	isothermal_pump_reverse	OK
58	components/pump	pump_loop	OK

59	components/pump	pump	OK
60	components/pump	isothermal_pump_start	OK
61	components/pump	turbine_driven_pump	OK
62	components/wet_well	wet_well_const_bcs	OK
63	components/subchannel	subchannel	Skipped (VA)
64	components/wet_well	wet_well_zero_flow	OK
65	components/point_kinetics	reactivity_table	OK
66	components/point_kinetics	coupled	Skipped (needs a review)
67	components/point_kinetics	constant_reactivity	OK
68	components/volume_branch	one_in_one_out	OK
69	components/volume_branch	three_in_two_out	OK
70	components/pipe_to_pipe_junction	pipe_to_pipe_1_1	OK
71	components/solid_wall	3eqn	OK
72	components/tdv	tdv_strongBC_3eqn	Skipped (#2468)
73	components/tdv	tdv_strongBC_HEM	Skipped (#2468)
74	components/solid_wall	7eqn	OK
75	components/branch	isothermal_pipe_chain	OK
76	components/branch	two_in_three_out_flow_junction	OK
77	components/branch	two_in_three_out_equal_p_no_flow	OK
78	components/branch	erg_two_in_three_out_flow_junction	OK
79	components/branch	two_in_three_out_no_form_loss_with_friction	OK
80	components/branch	one_in_one_out_flow_junction	OK
81	components/branch	non_isothermal_pipe_chain	OK
82	components/downcomer	downcomer	OK
83	components/pipe	iso_2tdv_1pipe	OK
84	components/pipe	iso_pipe_ic	OK
85	components/pipe	pipe_ic_hem	OK
86	components/pipe	pipe_ic_7eq	OK
87	components/pipe	h_rhou_3eqn_const_qwall	OK
88	components/simple_pipe_loop	pipe_chain	OK
89	components/simple_pipe_loop	pipe_network_w_gravity	OK

90	components/simple_pipe_loop	tdj_tdv_w_wall_heating	OK
91	components/simple_pipe_loop	tdj_tdv_w_wall_heating_elem_friction	OK
92	components/simple_pipe_loop	tdm	OK
93	components/simple_pipe_loop	tdm_7eqn	OK
94	components/simple_pipe_loop	tdm_func_7eqn	OK
95	components/simple_pipe_loop	tdj_erg_tdv_erg	OK
96	components/simple_pipe_loop	tdj_erg_tdv_erg_w_gravity	OK
97	components/simple_pipe_loop	tdv_erg	OK
98	components/simple_pipe_loop	HEM_TDJ_pipe_TDV_func_bc	OK
99	components/simple_junction	3eqn	OK
100	components/simple_junction	7eqn	OK
101	components/heat_exchanger	heat_exchanger	OK
102	components/heat_exchanger	HEM_heat_exchanger	Skipped (Jacobian review)
103	components/heat_exchanger	heat_exchanger_2d	OK
104	components/separatordryer	pipe_separator_ZeroVFInlet	OK
105	components/separatordryer	pipe_separator_MediumVFInlet	OK
106	components/separatordryer	pipe_separator_LargeVFInlet	OK
107	components/inlet_outlet	inlet_strongBC_3eqn	OK
108	components/inlet_outlet	inlet_strongBC_HEM	OK
109	components/inlet_outlet	inlet_outlet_strongBC_HEM	Skipped (#2469)
110	components/inlet_outlet	inlet_outlet_strongBC_3eqn	OK
111	components/inlet_outlet	inlet-stagnation_outlet-static_7eqn	Skipped (disabled)
112	components/inlet_outlet	inlet-static_outlet-static_7eqn	OK
113	components/inlet_outlet	mass_flow_rate_7eqn	OK
114	components/inlet_outlet	h_rhou_3eqn	OK
115	components/inlet_outlet	stagnation_p_T_steady_3eqn	OK
116	components/inlet_outlet	stagnation_p_T_transient_3eqn	OK
117	components/inlet_outlet	stagnation_p_T_transient_7eqn	OK
118	components/turbine	turbine	OK
119	components/pipe_w_hs	plate_hs_tbc	OK
120	components/pipe_w_hs	plate_hs_conv_bc	OK

121	components/pipe_w_hs	plate_hs	OK
122	components/pipe_w_hs	cylinder_hs_conv_bc	OK
123	components/valve	valve_open	OK
124	components/valve	valve_close	OK
125	components/valve	compressible_valve	OK
126	components/valve	compressible_valve_subsonic	OK
127	components/valve	check_valve	OK
128	misc/restart_test	part1	OK
129	misc/error_checking	wrong_pipe_end	OK
130	misc/restart_test	part2	OK
131	misc/error_checking	multiple_pkcs	OK
132	misc/error_checking	multiple_reactors	OK
133	misc/error_checking	missing_reactor	OK
134	misc/error_checking	free_pipe	OK
135	misc/error_checking	wrong_inlet_junction	OK
136	misc/error_checking	wrong_outlet_junction	OK
137	misc/error_checking	free_hx	OK
138	misc/error_checking	heat_exchanger_bad_hs_type	OK
139	misc/error_checking	free_core_channel	OK
140	misc/error_checking	core_channel_bad_fuel_type	OK
141	misc/error_checking	junction_bad_input_type	OK
142	misc/error_checking	junction_bad_output_type	OK
143	misc/error_checking	overspecified_pipe	OK
144	misc/error_checking	overspecified_hx	OK
145	misc/error_checking	overspecified_core_channel	OK
146	misc/error_checking	pipe_w_hs_bad_hs_type	OK
147	misc/error_checking	inlet_2eqn_underspecified	OK
148	misc/error_checking	inlet_3eqn_underspecified	OK
149	misc/error_checking	inlet_3eqn_overspecified	OK
150	misc/adapt	adapt_test	Skipped (disabled – libmash limitation)
151	misc/adapt	junction	Skipped (disabled)

*RELAP-7 Software Verification and Validation Plan*

152	misc/system	TMI_2loop	OK
153	misc/displaced_components	displaced_components	OK
154	control_logic	pump_cl	OK

## Appendix D Requirements Traceability Matrix

In general, a requirements traceability matrix (RTM) is created to associate specific requirements with the work products that satisfy them. Tests are also associated the requirements on which they are based so documented proof exists that the product has met the requirement. The matrix provides unique identifiers for each requirement and ensures completeness that lower level requirements come from higher level requirements. This matrix provides a tangible item that can be examined by the customer and the provider alike. Information that may not be clearly explained in descriptive text will be directly traceable forwards and backwards from a requirement or from an associated test. Traceability is used to manage change and provides a basis for test planning. It is a tool to ensure that the software process has been completed from initial definition to completion of a product. Use of an RTM provides a software quality check point.

The RELAP-7 RTM will be expanded and populated when beta version will be released and as the verification and validation testing is conducted using the SVVP. The evaluation will cover five measureable metric matrices and each matrix will be used to develop the overall RTM.

- Code verification on numerical method
- Code verification on software design
- Code validation using phenomenological tests
- Code validation using separate effect tests
- Code validation using integral effect tests

Following table is the example of RTM to be developed.

Example RTM

Req #	Name	Status	Source(s)	Design Specification	Implementation Functional Modules	Test Traceability (TC# corresponds to the automated test number)
0001	Subcooled liquid and vapor (drain)					
0002	Noncondensable gas (drain)					
0003	Fill mass-flow table with ramp/step (drain)					
0004	Gravity-head term in motion equation (drain)					
0005	Gravity-head term in motion equation (UTube)					

